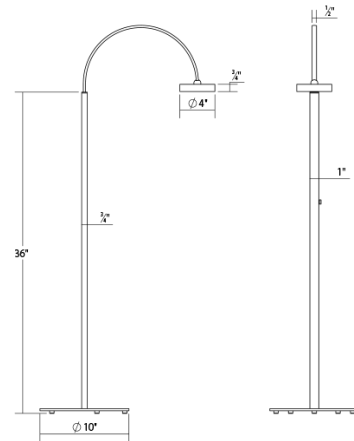
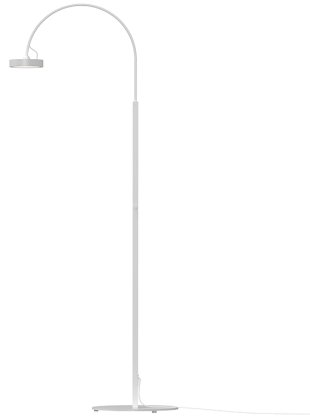


SONNEMAN
A WAY OF LIGHT

pluck™ Small LED Floor Lamp

2846.03



DIMENSIONS

Height	43.25"
Minimum Height	43.25"
Maximum Height	53.25"
Width	19.75"
Depth	10"
Canopy/Backplate/Base	10"
Switch Type	4-Step Touch Dimmer"

ELECTRICAL SPECS

Bulb Type	Integral LED
Bulb Quantity	1
Bulb Included?	Yes
Wattage	8
Initial Lumens	650
Input Voltage	120-240VAC
CCT	3000K
CRI	90
Power Supply Type	Driver
Power Supply Quantity	1
Power Supply Location	Plug
Dimming Type	Non-Dimmable

SHIPPING

SHADE 1

Quantity	1
Color	White
Material	Diecast Alum. w/LED Flat Panel
Height	0.75"

AVAILABLE FINISHES

Satin White (.03)
Bright Satin Aluminum (.16)
Satin Black (.25)

GENERAL LISTINGS

cETL
cUL
Damp Location

PROJECT

QUANTITY

NOTES