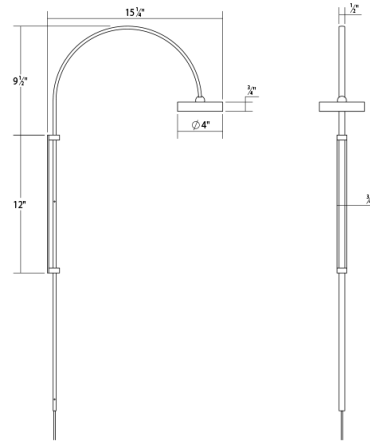


**SONNEMAN**  
A WAY OF LIGHT

**pluck™** Small LED Wall Lamp

**2842.03**



#### DIMENSIONS

Height	33.5"
Width	4"
Extension	15.25"
Minimum Extension	15.25"
Maximum Extension	15.25"
Switch Type	4-Step Touch Dimmer"

#### ELECTRICAL SPECS

Bulb Type	Integral LED
Bulb Quantity	1
Bulb Included?	Yes
Wattage	8
Initial Lumens	650
Input Voltage	120-240VAC
CCT	3000K
CRI	90
Power Supply Type	Driver
Power Supply Quantity	1
Power Supply Location	Plug
Dimming Type	Non-Dimmable

#### SHIPPING

#### SHADE 1

Quantity	1
Color	White
Material	Diecast Alum. w/LED Flat Panel
Height	0.75"

#### AVAILABLE FINISHES

Satin White (.03)
Bright Satin Aluminum (.16)
Satin Black (.25)

#### GENERAL LISTINGS

cETL
cUL
Damp Location

#### PROJECT

#### QUANTITY

#### NOTES