

LED Product Information and Warnings

Important

- **Always disconnect the power before installing or replacing bulbs and before cleaning or other maintenance.**
- **Consult a qualified, licensed electrician to ensure correct branch circuit conductor.**

- Please read all included assembly instructions and warnings carefully before installation. Contact Customer Service if you have any questions or concerns. Before installation, please confirm that the fixture is compatible with your supply voltage and dimming system, if present.
- LEDs are highly sensitive electronic devices, and must be treated with care. Do not open any factory sealed compartments, and avoid touching the LEDs with your hands or any object.
- Although all our fixtures are equipped with protective devices, LED fixtures are vulnerable to power surges and supply variations. Do not install LED fixtures on the same circuit as any motors, appliances, or HVAC systems.
- Do not remove or bypass any LED Driver or Transformer that is provided with the fixture, and do not replace or substitute with another power supply.
- Remote LED Driver or Transformer installation must be done by a licensed electrician and in accordance with local codes. Remote installations should be in an accessible location, as close to the fixture as possible.
- Fixtures must be wired in parallel on independent leads; do not "daisy chain" multiple fixtures together or wire them in series.
- All factory-made splices and connections must remain intact. LED circuits are carefully designed and built, and improper connections may damage the fixture.
- The ends of coaxial pendant cords have been precisely stripped and split at the factory and must not be field cut. Excess cord or cable should be neatly coiled and reserved in the fixture canopy.
- Any mounting hardware is provided for your convenience and should be used with discretion. Always use the appropriate hardware for the mounting surface.

January 5, 2018

Assembly Instructions

2801, 2801-J20

INSTRUCTIONS D'INSTALLATION

Tik-Tak Series - Tandem LED Pendant

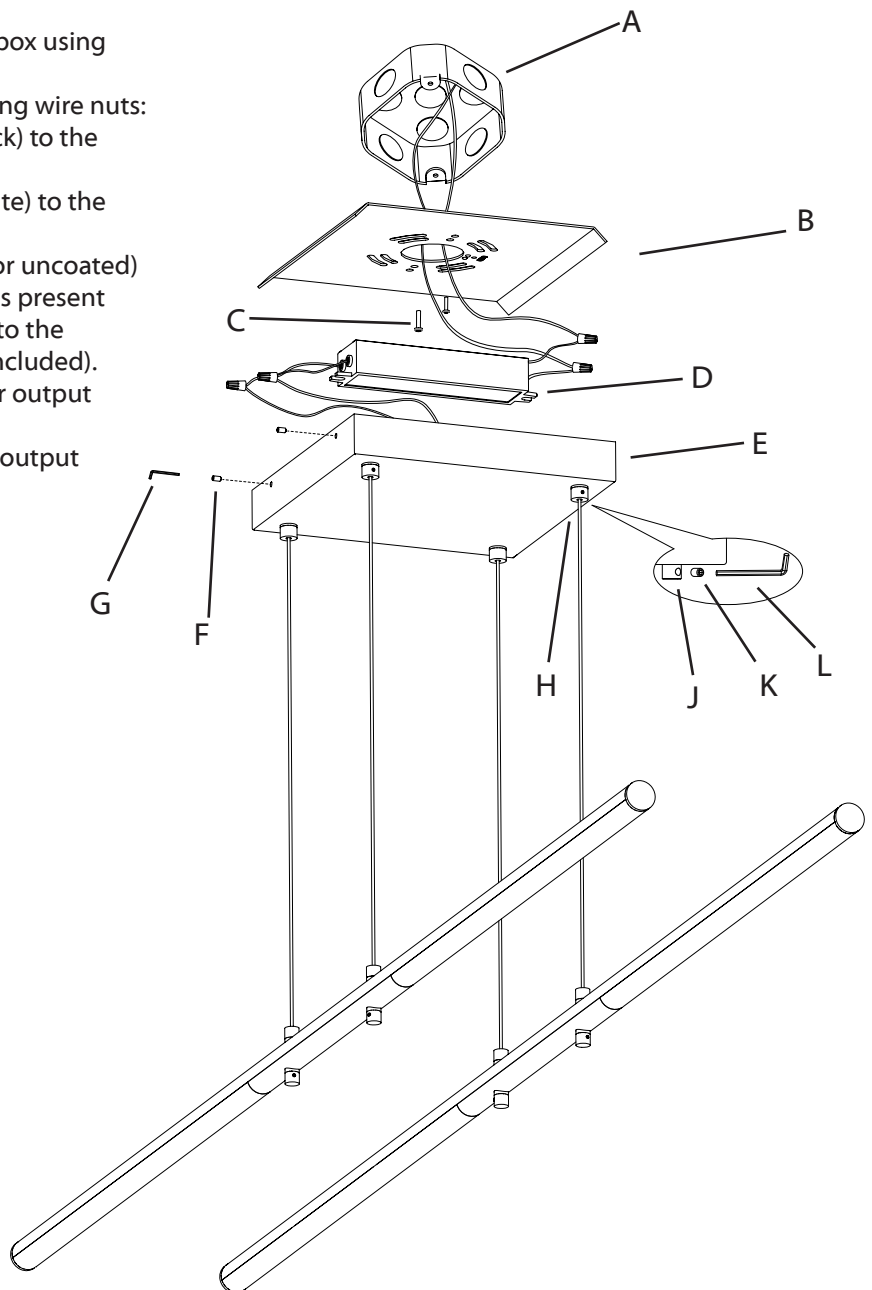
Important

- Always disconnect the power before installing and before cleaning or other maintenance.
- Consult a qualified, licensed electrician to ensure correct branch circuit conductor.
Consulter un électricien qualifié pour vous assurer que les conducteurs de la dérivation sont adéquats.

1. Shut off power to the outlet box (A).
2. Attach the mounting plate (B) to the outlet box using the outlet box screws (C).
3. Make appropriate electrical connections using wire nuts:
 - a. Connect the LED driver's (D) live wire (black) to the live outlet box wire.
 - b. Connect the LED driver's neutral wire (white) to the neutral outlet box wire.
 - c. Connect the fixture's ground wire (green or uncoated) to the ground outlet box wire. If no ground is present in outlet box, connect fixture's ground wire to the mounting plate (B) using the green screw (included).
 - d. Connect one of the low voltage LED driver output wires to one of the two fixture input wires.
 - e. Connect the other low voltage LED driver output wire to the other fixture input wire.

WARNING: Do not modify any of the factory splices inside the canopy.

- f. Carefully place connections and LED driver in canopy (E).
4. Install the canopy (E) to the mounting plate (B) and secure with large set screws (F) using the provided large Allen key (G).
 5. Insert the power cables (H) into the bushings (J). Secure with small set screw (K) using the provided small Allen key (L).



2801, 2801-J20

Note

- This fixture is dimmable with Electronic Low Voltage (Trailing-Edge) and Incandescent (Leading-Edge), type dimmers only.

Care Instructions

- **Dusting:** Use a clean, dry cloth.
- **Cleaning:** To protect the finish, avoid any harsh abrasives or chemicals.

Assembly Instructions

2801, 2801-J20

INSTRUCTIONS D'INSTALLATION

Tik-Tak Series - Tandem LED Pendant

Installation of Arms:

6. Loosen the caps on the cable grippers (M) (Fig. 1). Press and hold the cap and feed the cable through the cable gripper. Adjust the height of the arm (N) up or down to desired position. Release the gripper to set cable position and retighten the cap (Fig. 2). Repeat for each remaining arm.

NOTE: Each Power Cable only carries half of the electrical circuit, and must be used in pairs.

7. After each arm has been positioned, trim any excess cable, leaving 1/4" exposed and install the cable finishing caps (P) and secure with small set screws (K) using the provided small Allen key (L) (Fig. 3).

8. Restore power to the fixture.

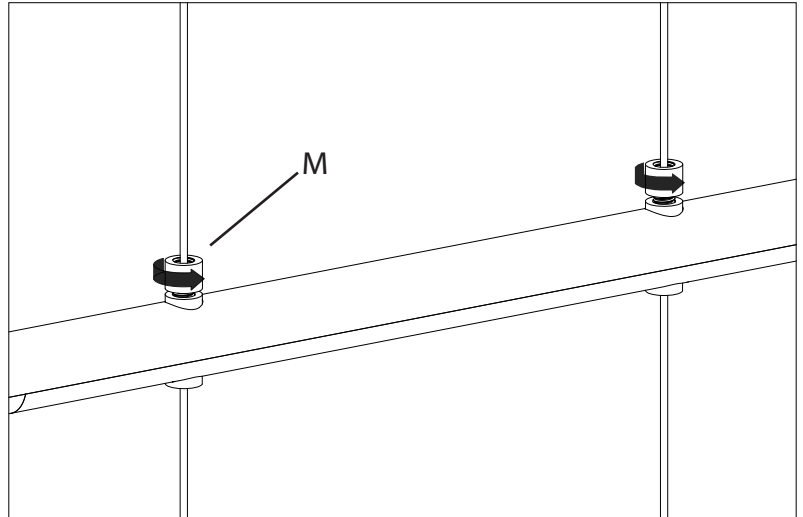


Fig. 1

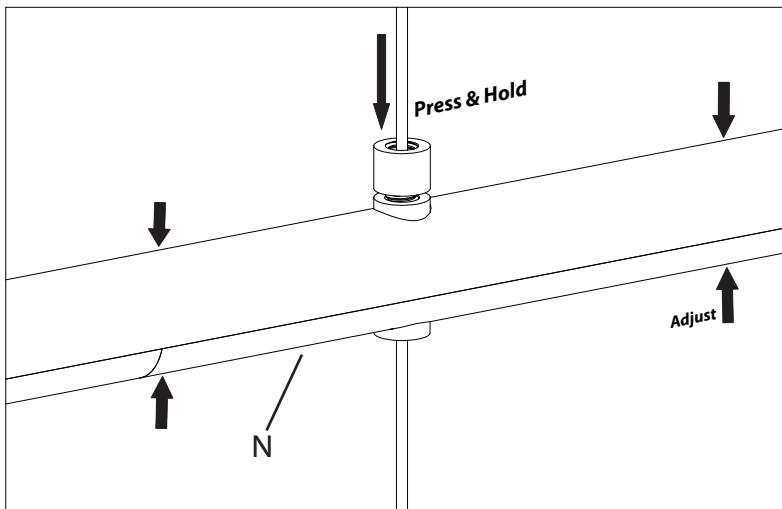


Fig. 2

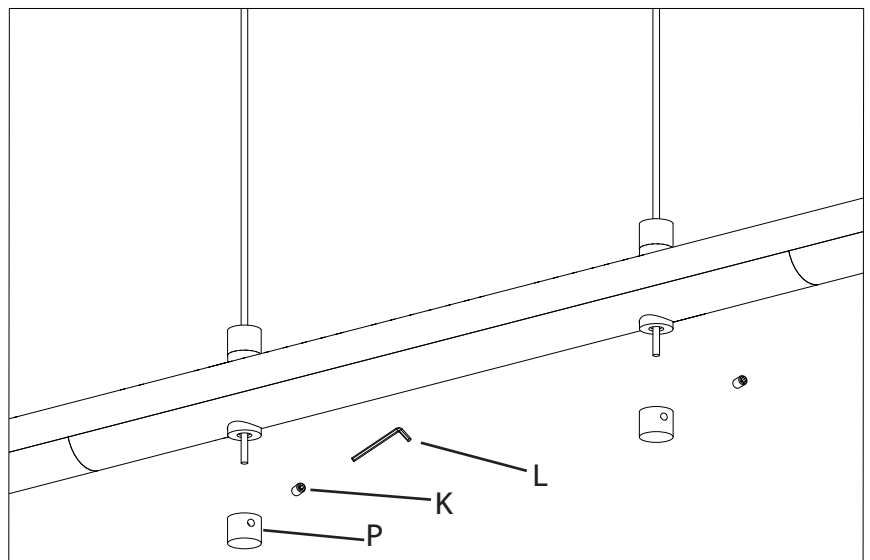


Fig. 3