

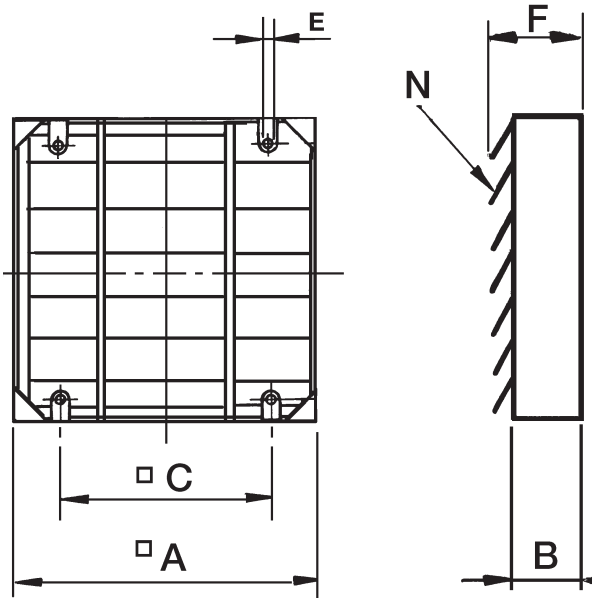
PER-CN - Aluminum Louvre Shutter

Backdraft louvre shutter to be installed at the fan discharge.



The World's Leading Producer of
Air Movement Products

6393 Powers Avenue
Jacksonville, Florida 32217-2298
P: 800.961.7370 F: 800.961.7379
www.solerpalau-usa.com



Dimensions inches/mm

Model	A	B	C	E	F	N
PER-355CN	15.67 398	1.57 40	13.86 352	.31 8	4.09 104	.24 6
PER-400CN	17.76 451	1.57 40	15.94 405	.31 8	4.09 104	.31 8
PER-450CN	19.84 504	1.57 40	18.03 458	.31 8	4.09 104	.35 9
PER-500CN	21.93 557	1.57 40	20.12 511	.31 8	4.09 104	.39 10

ACCESSORY MODEL	1	2	3	4	5	REMARKS

PROJECT: _____ CONTRACTOR: _____
 LOCATION: _____ REVISION DATE: _____
 FORM NO.: _____ SUBMITTED BY: _____ DATE: _____
 ENGINEER: _____ APPROVED BY: _____ DATE: _____

For more information contact us at www.solerpalau-usa.com or 1.800.961.7370 for additional submittal drawings.

Soler & Palau will not be responsible for fabrication changes or errors resulting from customer use of a non-current submittal drawing.

