

PER-W - Plastic Louvre Shutter

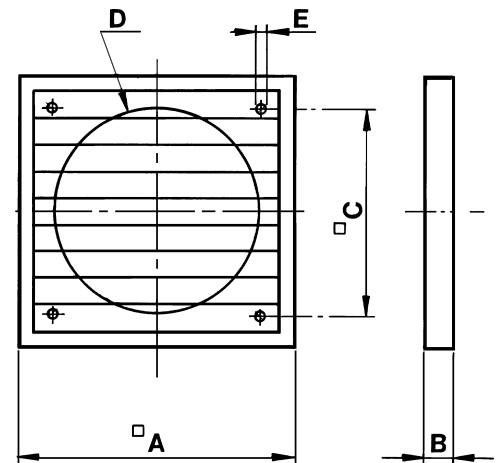
Backdraft louvre shutter to be installed at the fan discharge.

The World's Leading Producer of
Air Movement Products

6393 Powers Avenue
Jacksonville, Florida 32217-2298
P: 800.961.7370 F: 800.961.7379
www.solerpalau-usa.com

Dimensions inches/mm

Model	A	B	C	D	E
PER-100W	4-5/6 123	1/2 12	3-1/2 90	3-6/7 98	1/6 4
PER-125W	6-2/9 158	3/5 15	4-1/3 110	5-1/8 130	1/6 4
PER-160W	7 178	4/5 20	5-1/8 130	6 152	1/6 4
PER-200W	9-4/7 243	5/6 21	7-1/4 184	8 205	1/5 5
PER-250W	11-4/7 294	1 26	9-1/6 233	10-1/4 260	1/5 5
PER-355W	15-1/2 394	1 26	12-1/5 310	14-1/6 360	1/5 5
PER-400W	18 457	1 26	14-3/8 365	16-1/2 420	1/5 5
PER-450W	19-2/3 499	1-2/9 31	15-5/9 395	18-1/9 460	1/5 5



ACCESSORY MODEL	1	2	3	4	5	REMARKS

PROJECT: _____ CONTRACTOR: _____
 LOCATION: _____ REVISION DATE: _____
 FORM NO.: _____ SUBMITTED BY: _____ DATE: _____
 ENGINEER: _____ APPROVED BY: _____ DATE: _____

For more information contact us at www.solerpalau-usa.com or 1.800.961.7370 for additional submittal drawings.

Soler & Palau will not be responsible for fabrication changes or errors resulting from customer use of a non-current submittal drawing.

