



MODEL FEATURES

- Exhaust air up to 28,000 CFM in high static pressure applications up to 1-1/4" w.g.
- Attractive spun aluminum exterior
- Belt drives permit easy performance adjustments when needed
- Non-overloading backward inclined wheel for efficiency at higher static pressures
- AMCA Air and Sound Licensed
- cULus 705 Listed


APPLICATION CONSTRUCTION OPTIONS

MODEL NAME	TYPICAL APPLICATIONS
DB	Removal of clean air in general applications
DB-HWL	High Wind Load and Hurricane Zone version of DB

MODEL OVERVIEW

Model DB belt drive fans are designed to exhaust air up to 28,000 CFM in high static pressure applications to 1-1/4". The aluminum exterior provides an attractive appearance. Belt drive results in lower operating RPM and sound levels, making the Model DB well suited to applications where quiet operation is important. Belt drive also permits easy performance adjustments when needed to balance the total ventilation system. The non-overloading backward inclined wheel with its higher static pressure capability makes this unit suitable for either ducted or nonducted applications. Its roof mounting permits location near the area to be ventilated, allowing short duct runs and more efficient operation.

DBs are primarily used for the exhaust of relatively clean air from a wide range of commercial, industrial and institutional environments such as manufacturing and assembly plants, office buildings, schools, hospitals, restaurants, athletic facilities and many others

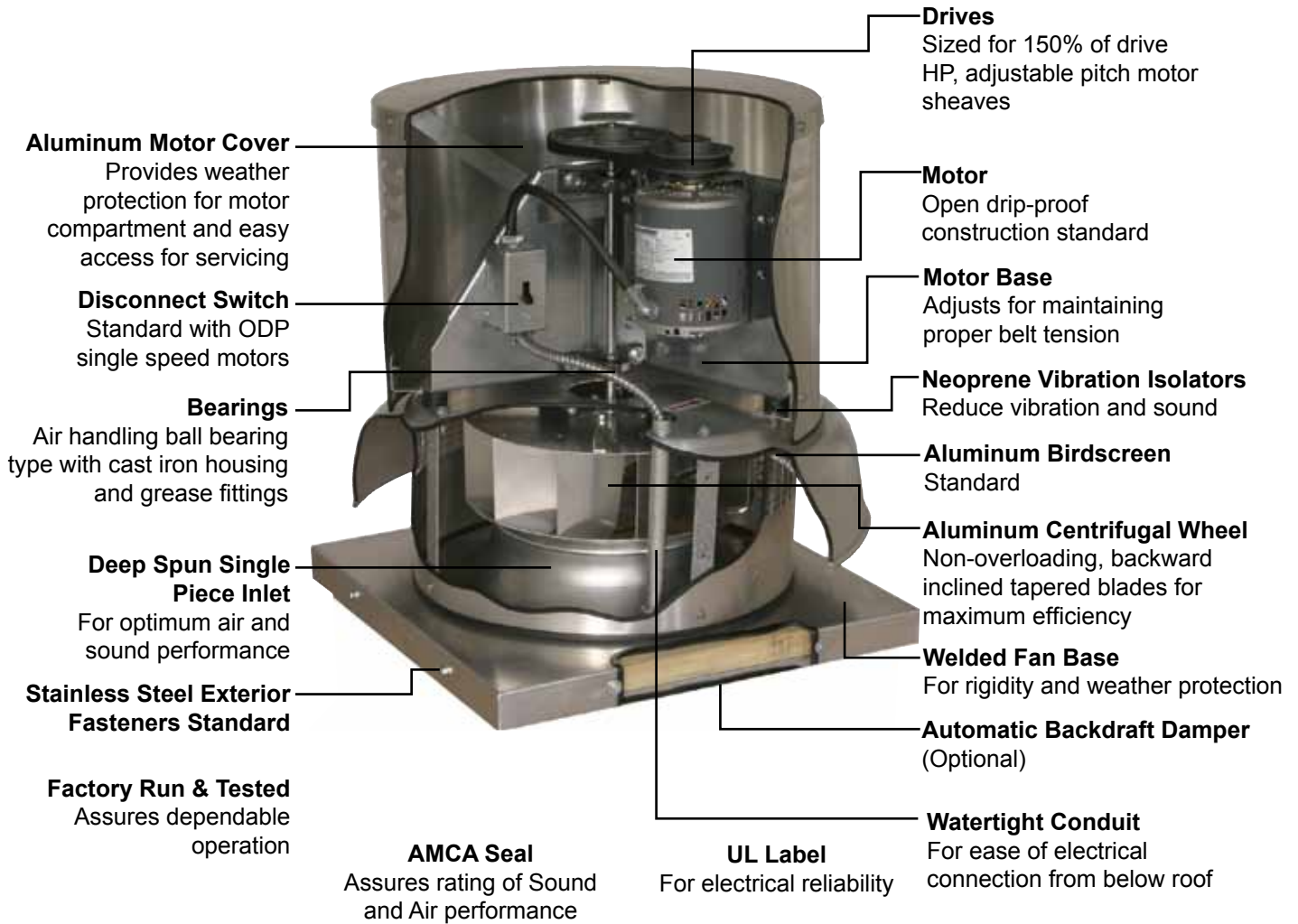


Model DB is available in our Quickship program. Sizes 6-36 are available for next day, 3-day or 10-day shipping from stock.

Industry best 5 year fan housing warranty, 1 year motor warranty



CONSTRUCTION FEATURES AND OPTIONS





CONSTRUCTION/SPECIFICATION CHECKLIST

Housing

- Curb cap with integral deep spun inlet for efficient performance.
- Heavy-gauge aluminum for extra strength.
- Designed for maximum weather protection and attractive appearance.
- Heavy-gauge motor support for rigidity and strength.
- Neoprene isolators for reduction of vibration and sound.
- Cover easily removed for quick access to motor compartment.
- Water tight conduit tube for easy electrical connection from below roof.
- Aluminum birdscreen standard.
- Stainless steel fasteners on exterior.

Centrifugal Wheel

- All aluminum wheel.
- Backward inclined for efficiency at higher static pressure.
- Non-overloading for safe operation in ducted systems.
- Tapered blades for efficiency and quiet operation.
- Heavy aluminum hub for extra strength.
- Statically and dynamically balanced for smooth operation.

Motors

- 1 year warranty.
- Brands are nationally recognized and locally serviced.
- Single speed open drip-proof are standard.
- Explosion-proof, totally enclosed and two-speed motors are available.
- All motors are rated for continuous duty.
- 182T and larger motors shipped unmounted for field installation.
- Disconnect switch standard on single speed drip-proof and totally enclosed motors.

Drives

- Sized for minimum 150% of drive horsepower.
- Machined cast iron adjustable motor pulleys.
- Adjustable base for belt tensioning.
- Non-static oil resistant V-Belts.

Bearings

- Heavy-duty ball bearing type.
- Pre-lubricated and permanently sealed.
- 5 year warranty.

AMCA Seal

- Assures accuracy of Air and Sound Performance.

cULus Label

- cULus 705 listing assures electrical safety and reliability.
- cULus 705 must be specified when required.



DB SPECIAL APPLICATIONS

High Wind Load and Hurricane Zone construction certified fans from S&P:



Model DB

Belt Drive Centrifugal Roof Exhausters with certified **HWL** (High Wind Load/Hurricane Zone) **Construction Option**.

The DB (belt drive) series of centrifugal downblast roof exhaust fans with the HWL construction option are suitable for use in high wind load applications which call for products with enhanced safety and structural resistance. The DB series is ideal for general roof mounted clean air exhaust applications where the air is discharged directly onto the roof surface.



- The only fans designed, developed, tested and manufactured in a hurricane zone!
- Designed to withstand wind loads in excess of 150mph (61psf).
- All models, without exception, have been tested and certified to ASTM Florida Building Code standards TAS 201-94, 202-94 and 203-94.
- All models are third party tested and Miami Dade County approved.
- Miami-Dade County, Florida NOA certifications:
 - Miami-Dade County, Florida #09-0513.01, expires 09/09/2014 – Models DB with HWL construction option.
- State licensed P.E reviewed for compliance with IBC, Florida Building Code and ASCE 7-02 Minimum Design Loads for Buildings.

MODEL	MIAMI-DADE, COUNTY, FLORIDA (NOA #)	EXHAUST	TAS 201	TAS 202	TAS 203	CLEAN AIR	GREASE LADEN AIR
DB	09-0513.01 exp. 09/09/2014	•	✓	✓	✓	•	

Florida Building Code **TAS 201-94**, Impact Test Procedures.
 Florida Building Code **TAS 202-94**, Criteria for Testing Impact & Nonimpact Resistant Building Envelope Components using Uniform Static Air Pressure.
 Florida Building Code **TAS 203-94**, Criteria for Testing Products Subject to Cyclic Wind Pressure Loading.

HWL Fan Construction Option, for High Wind Load & Hurricane Zone applications.

DB fans with the **HWL Construction Option**, include the following features as standard:

- High strength internal bracing and support structure.
- High strength, thick gauge, external aluminum shroud.
- High strength external stainless steel wire tie downs.
- Certified roof curbs must be used and are available in 8” up to 24” in height.





OPTIONS/ACCESSORIES

Automatic Belt Tensioner: Available on sizes 6-24, The Automatic Belt Tensioners eliminate the need for regular manual retensioning of drives, and the risk of inadvertently over-tensioning drive components is avoided and overall drive operating efficiency is enhanced. Benefits include reduction in startup and maintenance costs, increased belt life, increased drive efficiency, and ensure drive components do not snag obstructions.



Roof Curb: Prefabricated heavy-gauge galvanized steel, welded construction, 12” high (other heights are also available) with 1-1/2” wood nailer. Assures perfect fit of exhauster to roof opening. Options include burglar bars, single or double pitch construction and hinged curbs for easy duct access.



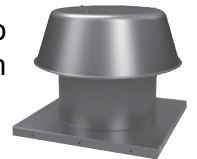
Sound Curb: Option of thermal acoustical lining or a complete maximum sound attenuating baffle system. Provision for mounting damper is available. Contact factory for information regarding effect on exhauster air performance and sound level.

Motor Operated Damper: Motor operated aluminum damper for positive closure against backdraft.



Automatic Damper: Automatic aluminum damper for ease in installation and effective backdraft protection.

Companion Gravity Units: Model RCX-II comes in a wide range of sizes and air capacities to provide relief or intake air to the system. Curbs and dampers are available to fit all sizes. Spun aluminum hoods provide a pleasing appearance, complementing the Model DB exhauster.



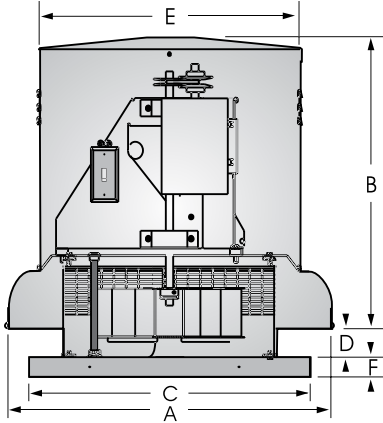
Special Coatings: Powered roof exhausters often require special coatings for protective and decorative purposes. Available coatings include: Synthetic Resin, Epoxy, and Heresite (air-dried phenolic). Contact your representative or the factory for more information on available coatings and colors.

Curb Hinge Arrangement: The curb hinge arrangement provides easy access to the exhaust fan, backdraft damper, and duct for servicing and cleaning.



PERFORMANCE/DIMENSIONS

SIZE 6



Damper OD	Roof Opening	Curb OD	A	B	C	D	E	F	Fan Wt	Ship Wt
11	11-1/2	14-3/4	20 -1/2	17-1/2	16-1/2	3-1/2	16-1/8	1-3/4	43	80

CFM / BHP @ Static Pressure / Sones											Drive Range	RPM	HP	Tip Speed
0	1/8	1/4	3/8	1/2	5/8	3/4	7/8	1	1-1/4	Catalog Number				
230	108	-	-	-	-	-	-	-	-	601	DP1	700	1/4	2058
.01/1.3	.01/0.7	-	-	-	-	-	-	-	-	602		750	1/4	2205
246	140	-	-	-	-	-	-	-	-	603		800	1/4	2352
.02/1.7	.02/1.1	-	-	-	-	-	-	-	-	604		850	1/4	2500
263	166	-	-	-	-	-	-	-	-	605		900	1/4	2647
.02/2.1	.02/1.5	-	-	-	-	-	-	-	-	606		950	1/4	2794
279	190	-	-	-	-	-	-	-	-	607		1000	1/4	2941
.02/2.5	.02/1.9	-	-	-	-	-	-	-	-	608		1050	1/4	3088
295	213	-	-	-	-	-	-	-	-	609		1100	1/4	3235
.03/2.9	.03/2.3	-	-	-	-	-	-	-	-	610		1150	1/4	3382
312	236	122	-	-	-	-	-	-	-	611	DP2	1200	1/4	3529
.03/3.3	.03/2.8	.03/2.2	-	-	-	-	-	-	-	612		1250	1/4	3676
328	257	160	-	-	-	-	-	-	-	613		1300	1/4	3823
.04/3.6	.04/3.1	.04/2.6	-	-	-	-	-	-	-	614		1350	1/4	3970
345	278	192	-	-	-	-	-	-	-	615		1400	1/4	4117
.04/4.0	.04/3.5	.04/3.0	-	-	-	-	-	-	-	616		1450	1/4	4264
361	298	219	-	-	-	-	-	-	-	617		1500	1/4	4411
.05/4.3	.05/3.8	.05/3.4	-	-	-	-	-	-	-	618		1550	1/4	4558
377	318	244	137	-	-	-	-	-	-	619		1600	1/4	4705
.06/4.7	.06/4.2	.06/3.8	.05/3.3	-	-	-	-	-	-	620		1650	1/4	4852
394	337	268	178	-	-	-	-	-	-	621	DP3	1700	1/4	4999
.06/5.2	.06/4.7	.07/4.3	.06/3.8	-	-	-	-	-	-	622		1750	1/4	5146
410	356	291	213	-	-	-	-	-	-	623		1800	1/4	5293
.07/5.6	.07/5.2	.07/4.8	.07/4.3	-	-	-	-	-	-	624		1850	1/4	5440
427	375	314	243	131	-	-	-	-	-	625		1900	1/4	5587
.08/6.1	.08/5.6	.08/5.2	.08/4.8	.07/4.3	-	-	-	-	-	626		1950	1/4	5734
443	394	336	269	178	-	-	-	-	-	627		2000	1/4	5881
.09/6.5	.09/6.1	.09/5.7	.09/5.3	.09/4.8	-	-	-	-	-	628		2050	1/4	6028
459	412	358	295	217	-	-	-	-	-	629		2100	1/4	6175
.10/7.0	.10/6.6	.10/6.2	.10/5.8	.10/5.3	-	-	-	-	-	630		2150	1/4	6322
476	431	379	319	250	143	-	-	-	-	631	DP4	2200	1/4	6469
.11/7.5	.11/7.1	.11/6.7	.11/6.3	.11/5.8	.10/5.4	-	-	-	-	632		2250	1/4	6616
492	449	399	342	279	191	-	-	-	-	633		2300	1/4	6763
.12/8.0	.12/7.6	.13/7.2	.13/6.8	.13/6.4	.12/6.0	-	-	-	-	634		2350	1/4	6910
509	467	420	365	307	231	115	-	-	-	635		2400	1/4	7057
.13/8.5	.14/8.1	.14/7.7	.14/7.3	.14/6.9	.13/6.5	.12/6.1	-	-	-	636		2450	1/4	7204
525	485	439	388	332	266	169	-	-	-	637		2500	1/4	7351
.15/9.0	.15/8.6	.15/8.2	.15/7.9	.15/7.5	.15/7.0	.14/6.6	-	-	-	638		2550	1/4	7498
541	503	459	410	356	297	215	-	-	-	639		2600	1/4	7645
.16/9.6	.17/9.2	.17/8.8	.17/8.4	.17/8.0	.17/7.6	.16/7.2	-	-	-	640		2650	1/4	7792
558	521	478	432	380	325	255	153	-	-	641	DP5	2700	1/4	7939
.18/10.1	.18/9.7	.18/9.4	.18/9.0	.18/8.6	.18/8.2	.18/7.8	.16/7.4	-	-	642		2750	1/4	8086
574	539	497	453	403	352	289	203	-	-	643	2800	1/4	8233	
.19/10.7	.20/10.3	.20/9.9	.20/9.6	.20/9.2	.20/8.8	.20/8.4	.19/8.0	-	-	644	2850	1/4	8380	

Power Ratings (BHP) does not include drive losses.
 Performance certified is for installation type A - free inlet, free outlet.
 Performance ratings include the effects of birdscreen in the airstream.
 The sound ratings shown are loudness values in fan sones @ 5' (1.5m) in a hemispherical free field calculated per AMCA Standard 301. Values shown are for: Installation Type A: free inlet hemispherical sone levels.



Soler & Palau USA, Div. of Soler & Palau Ventilation Group, certifies that the Models DB shown herein are licensed to bear the AMCA Seal. The ratings shown are based on test and procedures performed in accordance with AMCA Publication 211 and AMCA Publication 311 and comply with the requirement of the AMCA Certified Ratings Program.

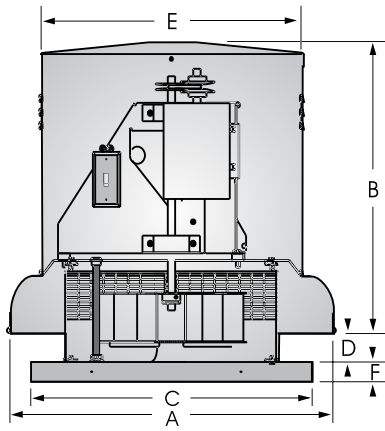




MODEL DB
BELT DRIVE CENTRIFUGAL ROOF EXHAUSTER



SIZE 8



Damper OD	Roof Opening	Curb OD	A	B	C	D	E	F	Fan Wt	Ship Wt
11	11-1/2	14-3/4	20 -1/2	17-1/2	16-1/2	3-1/2	16-1/8	1-3/4	42	80

CFM / BHP @ Static Pressure / Sones											Drive Range	RPM	HP	Tip Speed	
0	1/8	1/4	3/8	1/2	5/8	3/4	7/8	1	1-1/4	Catalog Number					
478										801	DP1	650	1/4	1911	
.01/1.9	-	-	-	-	-	-	-	-	-			802	690	1/4	2029
508	252											803	750	1/4	2205
.01/2.2	.02/1.2	-	-	-	-	-	-	-	-			804	810	1/4	2382
552	338											805	870	1/4	2558
.02/2.8	.02/1.7	-	-	-	-	-	-	-	-			806	930	1/4	2735
596	408											807	990	1/4	2911
.02/3.3	.03/2.2	-	-	-	-	-	-	-	-			808	1050	1/4	3088
640	470											809	1110	1/4	3264
.03/3.8	.03/2.8	-	-	-	-	-	-	-	-			810	1170	1/4	3441
684	528	266									811	1230	1/4	3617	
.04/4.4	.04/3.4	.04/2.7	-	-	-	-	-	-	-		812	1290	1/4	3793	
728	586	380									813	1350	1/4	3970	
.04/4.9	.05/4.0	.05/3.2	-	-	-	-	-	-	-		814	1410	1/4	4146	
772	643	465									815	1470	1/4	4323	
.05/5.4	.06/4.5	.06/3.8	-	-	-	-	-	-	-		816	1530	1/4	4499	
816	696	538	249								817	1590	1/4	4676	
.06/5.9	.07/5.2	.07/4.4	.06/3.8	-	-	-	-	-	-		818	1650	1/4	4852	
861	747	604	391								819	1700	1/4	4999	
.07/6.5	.08/5.8	.08/5.1	.08/4.4	-	-	-	-	-	-		820	1760	1/3	5175	
905	798	664	492								821	1820	1/3	5352	
.08/7.0	.09/6.4	.10/5.8	.09/5.1	-	-	-	-	-	-		822	1870	1/3	5499	
949	847	723	575	312											
.09/7.6	.10/7.0	.11/6.4	.11/5.8	.10/5.1	-	-	-	-	-						
993	896	781	648	450											
.11/8.3	.12/7.6	.12/7.1	.13/6.5	.12/5.8	-	-	-	-	-						
1037	945	839	715	553	249										
.12/8.9	.13/8.3	.14/7.7	.14/7.2	.14/6.5	.12/6.0	-	-	-	-						
1081	994	895	777	638	420										
.14/9.5	.15/9.0	.16/8.4	.16/7.8	.16/7.2	.15/6.7	-	-	-	-						
1125	1041	949	837	714	542										
.16/10.3	.17/9.6	.18/9.1	.18/8.6	.18/8.0	.18/7.4	-	-	-	-						
1170	1089	1001	895	783	639	409									
.18/11.0	.19/10.4	.20/9.8	.20/9.3	.21/8.7	.20/8.1	.18/7.5	-	-	-						
1214	1136	1053	953	849	722	545									
.20/11.7	.21/11.1	.22/10.6	.23/10.0	.23/9.5	.23/8.9	.22/8.3	-	-	-						
1250	1176	1095	1002	900	785	634	394								
.22/12.4	.23/11.8	.24/11.2	.25/10.7	.25/10.2	.25/9.5	.25/8.9	.22/8.4	-	-						
1295	1223	1145	1059	960	856	726	543								
.24/13.1	.25/12.6	.26/12.0	.27/11.4	.28/10.9	.28/10.4	.28/9.7	.26/9.2	-	-						
1339	1269	1195	1114	1018	922	807	658	429							
.27/13.9	.28/13.3	.29/12.8	.30/12.3	.31/11.7	.31/11.2	.31/10.6	.30/10.0	.27/9.5	-						
1375	1308	1236	1159	1066	975	870	739	555							
.29/14.5	.30/14.0	.32/13.4	.32/13.0	.33/12.5	.33/12.0	.33/11.3	.33/10.7	.31/10.2	-						

Power Ratings (BHP) does not include drive losses.
 Performance certified is for installation type A - free inlet, free outlet.
 Performance ratings include the effects of birdscreen in the airstream.
 The sound ratings shown are loudness values in fan sones @ 5' (1.5m) in a hemispherical free field calculated per AMCA Standard 301. Values shown are for Installation Type A: free inlet hemispherical sone levels.



Soler & Palau USA, Div. of Soler & Palau Ventilation Group, certifies that the Models DB shown herein are licensed to bear the AMCA Seal. The ratings shown are based on test and procedures performed in accordance with AMCA Publication 211 and AMCA Publication 311 and comply with the requirement of the AMCA Certified Ratings Program.

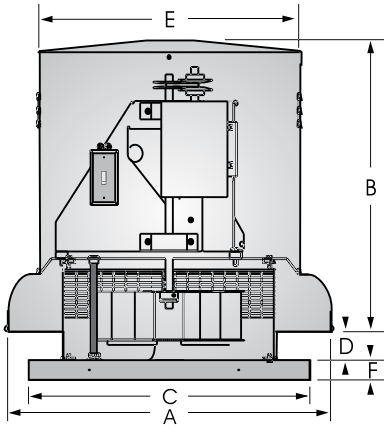




MODEL DB
BELT DRIVE CENTRIFUGAL ROOF EXHAUSTER



SIZE 9



Damper OD	Roof Opening	Curb OD	A	B	C	D	E	F	Fan Wt	Ship Wt
11	11-1/2	14-3/4	20 -1/2	17-1/2	16-1/2	3-1/2	16-1/8	1-3/4	44	80

CFM / BHP @ Static Pressure / Sones										Catalog Number	Drive Range	RPM	HP	Tip Speed	
0	1/8	1/4	3/8	1/2	5/8	3/4	7/8	1	1-1/4						
694	467	-	-	-	-	-	-	-	-	901	DP6	710	1/4	2277	
.04/3.8	.03/2.6	-	-	-	-	-	-	-	-						
734	525	-	-	-	-	-	-	-	-	902		750	1/4	2405	
.04/4.3	.04/3.1	-	-	-	-	-	-	-	-						
773	580	-	-	-	-	-	-	-	-	903		790	1/4	2534	
.05/4.8	.05/3.6	-	-	-	-	-	-	-	-						
812	633	360	-	-	-	-	-	-	-	904		830	1/4	2662	
.06/5.4	.05/4.2	.05/3.5	-	-	-	-	-	-	-						
851	683	439	-	-	-	-	-	-	-	905		870	1/4	2790	
.06/5.9	.06/4.8	.05/4.0	-	-	-	-	-	-	-						
890	733	511	-	-	-	-	-	-	-	906	910	1/4	2918		
.07/6.5	.07/5.5	.07/4.6	-	-	-	-	-	-	-						
929	781	577	-	-	-	-	-	-	-	907	950	1/4	3047		
.08/7.0	.08/6.1	.08/5.1	-	-	-	-	-	-	-						
968	828	640	-	-	-	-	-	-	-	908	990	1/4	3175		
.10/7.6	.09/6.7	.09/5.9	-	-	-	-	-	-	-						
1007	874	699	469	-	-	-	-	-	-	909	1030	1/4	3303		
.11/8.2	.10/7.4	.10/6.5	.09/6.0	-	-	-	-	-	-						
1046	919	756	546	-	-	-	-	-	-	910	1070	1/4	3432		
.12/8.8	.12/8.1	.11/7.3	.10/6.5	-	-	-	-	-	-						
1086	964	811	618	-	-	-	-	-	-	911	1110	1/4	3560		
.13/9.5	.13/8.9	.13/8.0	.12/7.2	-	-	-	-	-	-						
1125	1008	864	685	-	-	-	-	-	-	912	1150	1/4	3688		
.15/10.2	.15/9.6	.14/8.8	.13/8.0	-	-	-	-	-	-						
1164	1052	916	749	543	-	-	-	-	-	913	1190	1/4	3816		
.17/10.9	.16/10.3	.16/9.6	.15/8.8	.14/8.2	-	-	-	-	-						
1203	1096	966	810	621	-	-	-	-	-	914	1230	1/4	3945		
.18/11.6	.18/11.1	.18/10.4	.17/9.7	.16/8.8	-	-	-	-	-						
1242	1139	1015	868	693	-	-	-	-	-	915	1270	1/4	4073		
.20/12.2	.20/11.7	.19/11.1	.19/10.4	.18/9.6	-	-	-	-	-						
1281	1182	1064	925	761	565	-	-	-	-	916	1310	1/4	4201		
.22/12.7	.22/12.2	.21/11.7	.21/11.0	.20/10.2	.18/9.8	-	-	-	-						
1320	1224	1112	980	827	646	-	-	-	-	917	1350	1/4	4330		
.24/13.2	.24/12.8	.23/12.2	.23/11.6	.22/10.8	.20/10.2	-	-	-	-						
1359	1267	1159	1034	889	721	-	-	-	-	918	1390	1/4	4458		
.26/13.8	.26/13.4	.26/12.9	.25/12.2	.24/11.5	.23/10.7	-	-	-	-						
1389	1298	1193	1073	935	775	587	-	-	-	919	1420	1/4	4554		
.28/14.2	.28/13.8	.27/13.3	.27/12.7	.26/11.9	.25/11.2	.22/11.0	-	-	-						
1438	1351	1251	1137	1008	860	690	-	-	-	920	1470	1/3	4714		
.31/14.9	.31/14.5	.30/14.1	.30/13.4	.29/12.8	.28/12.0	.26/11.6	-	-	-						
1477	1393	1296	1188	1065	925	767	-	-	-	921	1510	1/3	4843		
.34/15.5	.33/15.1	.33/14.7	.33/14.0	.32/13.5	.31/12.7	.29/12.1	-	-	-						
1516	1434	1341	1237	1120	988	839	669	-	-	922	1550	1/3	4971		
.37/16.2	.36/15.7	.36/15.3	.35/14.7	.35/14.2	.34/13.5	.32/12.7	.29/12.6	-	-						

Power Ratings (BHP) does not include drive losses.
 Performance certified is for installation type A - free inlet, free outlet.
 Performance ratings include the effects of birdscreen in the airstream.
 The sound ratings shown are loudness values in fan sones @ 5' (1.5m) in a hemispherical free field calculated per AMCA Standard 301. Values shown are for: Installation Type A: free inlet hemispherical sone levels.



Soler & Palau USA, Div. of Soler & Palau Ventilation Group, certifies that the Models DB shown herein are licensed to bear the AMCA Seal. The ratings shown are based on test and procedures performed in accordance with AMCA Publication 211 and AMCA Publication 311 and comply with the requirement of the AMCA Certified Ratings Program.

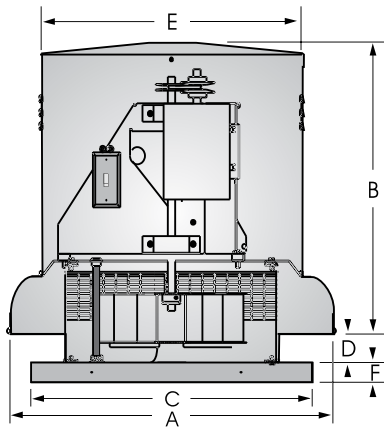




MODEL DB
BELT DRIVE CENTRIFUGAL ROOF EXHAUSTER



SIZE 11



Damper OD	Roof Opening	Curb OD	A	B	C	D	E	F	Fan Wt	Ship Wt
18	19-1/2	22-1/4	28-3/8	23	24	3-1/2	22-1/2	2	64	130

CFM / BHP @ Static Pressure / Sones											Drive Range	RPM	HP	Tip Speed
0	1/8	1/4	3/8	1/2	5/8	3/4	7/8	1	1-1/4	Catalog Number				
771	508	-	-	-	-	-	-	-	-	1101	DP11	670	1/4	2275
.02/3.8	.03/2.8	-	-	-	-	-	-	-	-	1102		735	1/4	2489
921	711	436	-	-	-	-	-	-	-	1103		800	1/4	2703
.04/5.5	.04/4.7	.04/4.0	-	-	-	-	-	-	-	1104		865	1/4	2918
1070	894	688	405	-	-	-	-	-	-	1105		930	1/4	3132
.06/7.4	.07/6.8	.07/6.0	.06/5.7	-	-	-	-	-	-	1106		995	1/4	3346
1145	982	796	568	-	-	-	-	-	-	1107		1055	1/4	3561
.07/8.4	.08/7.8	.08/7.1	.08/6.6	-	-	-	-	-	-	1108		1120	1/4	3775
1214	1062	890	691	406	-	-	-	-	-	1109		1185	1/4	3989
.08/9.4	.09/8.8	.1/8.2	.1/7.5	.09/7.5	-	-	-	-	-	1110		1260	1/4	4203
1289	1146	988	810	590	-	-	-	-	-	1111	DP12	1310	1/4	4418
.1/10.6	.11/10	.12/9.5	.12/8.7	.12/8.5	-	-	-	-	-	1112		1365	1/4	4632
1364	1230	1083	921	732	473	-	-	-	-	1113		1410	1/4	4846
.12/11.8	.13/11.3	.14/10.8	.14/10.1	.14/9.5	.13/9.5	-	-	-	-	1114		1475	1/4	5061
1450	1325	1188	1041	876	678	348	-	-	-	1115		1525	1/3	5225
.14/13.1	.15/12.6	.16/12.2	.17/11.4	.17/10.8	.17/10.6	.13/10.6	-	-	-	1116		1585	1/3	5390
1508	1388	1258	1118	965	788	557	-	-	-	1117		1625	1/3	5555
.16/13.8	.17/13.3	.18/12.9	.19/12.3	.19/11.7	.19/11.3	.18/11.3	-	-	-	1118		1685	1/2	5720
1571	1456	1332	1200	1058	898	707	402	-	-	1119		1720	1/2	5885
.18/14.7	.19/14.3	.2/13.8	.21/13.3	.22/12.6	.22/12	.21/12	.17/12	-	-	1120		1820	1/2	6050
1623	1512	1393	1266	1131	982	810	586	-	-	1121	DP13	1850	1/2	6214
.2/15.5	.21/15	.22/14.6	.23/14	.24/13.4	.24/12.8	.24/12.6	.22/12.6	-	-	1114		1475	1/4	5061
1698	1592	1479	1360	1233	1096	944	765	508	-	1115		1525	1/3	5225
.23/16.6	.24/16.2	.25/15.7	.26/15.3	.27/14.6	.28/14	.28/13.5	.27/13.5	.23/13.5	-	1116		1585	1/3	5390
1755	1654	1545	1430	1310	1181	1040	880	680	-	1117		1625	1/3	5555
.25/17.6	.26/17.1	.28/16.7	.29/16.3	.30/15.7	.31/15	.31/14.5	.3/14.3	.28/14.3	-	1118	1685	1/2	5720	
1824	1727	1623	1513	1399	1278	1148	1004	837	-	1119	1720	1/2	5885	
.28/18.8	.30/18.3	.31/17.9	.32/17.5	.33/17	.34/16.3	.34/15.8	.34/15.4	.33/15.4	-	1120	1820	1/2	6050	
1870	1776	1674	1568	1458	1341	1217	1081	929	437	1117	DP14	1850	1/2	6214
.30/19.7	.32/19.2	.33/18.8	.35/18.3	.36/17.9	.37/17.2	.37/16.7	.37/16.2	.36/16.1	.28/16.1	1118		1685	1/2	5720
1939	1849	1751	1650	1544	1434	1317	1192	1054	699	1119		1720	1/2	5885
.34/21	.35/21	.37/20	.38/19.6	.4/19.2	.41/18.6	.41/18	.41/17.5	.41/17.3	.37/17.3	1120		1820	1/2	6050
1980	1891	1795	1697	1594	1487	1374	1254	1123	803	1119		1720	1/2	5885
.36/22	.38/21	.39/21	.41/20	.42/20	.43/19.4	.44/18.8	.44/18.3	.44/18	.41/18	1120	1820	1/2	6050	
2095	2012	1922	1829	1734	1634	1531	1423	1307	1045	1120	1820	1/2	6050	
.43/24	.44/24	.46/23	.48/23	.49/22	.50/22	.51/21	.52/21	.52/20	.51/20	1121	1850	1/2	6214	
2129	2048	1959	1869	1775	1678	1577	1471	1360	1109	1121	1850	1/2	6214	
.45/25	.46/24	.48/24	.50/24	.51/23	.53/23	.54/22	.54/22	.55/21	.54/21					

Power Ratings (BHP) does not include drive losses.
 Performance certified is for installation type A - free inlet, free outlet.
 Performance ratings include the effects of birdscreen in the airstream.
 The sound ratings shown are loudness values in fan sones @ 5' (1.5m) in a hemispherical free field calculated per AMCA Standard 301. Values shown are for: Installation Type A: free inlet hemispherical sone levels.



Soler & Palau USA, Div. of Soler & Palau Ventilation Group, certifies that the Models DB shown herein are licensed to bear the AMCA Seal. The ratings shown are based on test and procedures performed in accordance with AMCA Publication 211 and AMCA Publication 311 and comply with the requirement of the AMCA Certified Ratings Program.

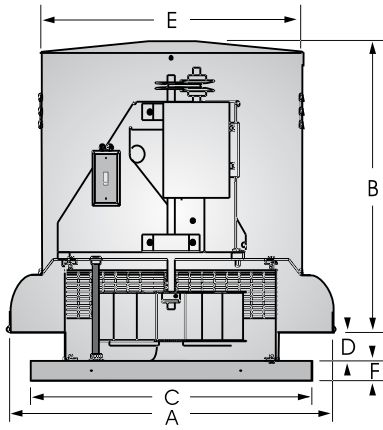




MODEL DB
BELT DRIVE CENTRIFUGAL ROOF EXHAUSTER



SIZE 12



Damper OD	Roof Opening	Curb OD	A	B	C	D	E	F	Fan Wt	Ship Wt
18	19-1/2	22-1/4	28-3/8	23	24	3-1/2	22-1/2	2	65	130

CFM / BHP @ Static Pressure / Sones											Drive Range	RPM	HP	Tip Speed		
0	1/8	1/4	3/8	1/2	5/8	3/4	7/8	1	1-1/4	Catalog Number						
959	692	-	-	-	-	-	-	-	-	1201	DP15	640	1/4	2371		
.03/3.7	.03/3.0	-	-	-	-	-	-	-	-	1202		690	1/4	2556		
1109	889	576	-	-	-	-	-	-	-	1203		740	1/4	2742		
.04/5.0	.05/4.5	.05/3.5	-	-	-	-	-	-	-	1204		790	1/4	2927		
1184	982	719	-	-	-	-	-	-	-	1205		840	1/4	3112		
.05/5.7	.06/5.2	.06/4.2	-	-	-	-	-	-	-	1206		890	1/4	3297		
1259	1072	839	467	-	-	-	-	-	-	1207		940	1/4	3483		
.06/6.4	.07/5.9	.08/5.1	.07/4.2	-	-	-	-	-	-	1208		990	1/4	3668		
1334	1159	947	653	-	-	-	-	-	-	1209		1040	1/4	3853		
.07/7.0	.08/6.6	.09/6.0	.09/4.9	-	-	-	-	-	-	1210		1090	1/4	4038		
1409	1244	1049	805	390	-	-	-	-	-	1211	DP16	1140	1/4	4224		
.08/7.6	.09/7.2	.10/6.8	.11/5.8	.08/4.9	-	-	-	-	-	1212		1190	1/4	4409		
1484	1329	1148	937	621	-	-	-	-	-	1213		1240	1/4	4594		
.10/8.3	.11/7.9	.12/7.5	.13/6.6	.12/5.7	-	-	-	-	-	1214		1280	1/4	4742		
1559	1412	1244	1052	794	369	-	-	-	-	1215		DP17	1320	1/3	4891	
.11/9.0	.13/8.6	.14/8.3	.14/7.5	.14/6.6	.11/5.8	-	-	-	-	1216			1360	1/3	5039	
1634	1494	1339	1160	943	627	-	-	-	-	1217			1390	1/3	5150	
.13/9.7	.14/9.3	.16/9.0	.16/8.5	.17/7.5	.15/6.6	-	-	-	-	1218			1440	1/2	5335	
1709	1576	1430	1262	1075	813	409	-	-	-	1219			DP18	1480	1/2	5483
.15/10.4	.16/10.1	.18/9.8	.19/9.5	.19/8.4	.18/7.5	.14/6.7	-	-	-	1220				1520	1/2	5632
1784	1657	1519	1362	1191	971	669	-	-	-	1221	1560			1/2	5780	
.17/11.2	.18/10.9	.20/10.6	.21/10.3	.22/9.4	.22/8.4	.19/7.6	-	-	-	1222	1600			1/2	5928	
1859	1737	1607	1459	1300	1113	495	861	699	495	1218	DP19			1240	1/4	4594
.19/12.0	.21/11.7	.22/11.4	.24/11.1	.24/10.5	.25/9.4	.24/8.5	.19/7.8	-	-	1219				1280	1/4	4742
1919	1801	1676	1536	1383	1215	992	699	495	861	1215		1320		1/3	4891	
.21/12.7	.23/12.3	.24/12.1	.26/11.8	.27/11.4	.27/10.3	.27/9.3	.24/8.5	-	-	1216		1360		1/3	5039	
1979	1865	1744	1611	1465	1308	1112	861	495	861	1217		1390		1/3	5150	
.23/13.2	.25/13.1	.26/12.7	.28/12.5	.29/12.2	.30/11.2	.30/10.2	.28/9.3	.22/8.6	-	1218		1440		1/2	5335	
2039	1929	1812	1686	1545	1397	1223	999	709	495	1219		1480	1/2	5483		
.25/13.9	.27/13.6	.29/13.5	.30/13.1	.32/12.9	.32/12.1	.33/11.0	.31/10.1	.28/9.3	-	1220		1520	1/2	5632		
2084	1976	1862	1740	1603	1461	1301	1094	839	495	1221		1560	1/2	5780		
.27/14.4	.29/14.1	.30/13.9	.32/13.7	.33/13.4	.34/12.8	.35/11.7	.34/10.8	.32/9.9	-	1222		1600	1/2	5928		
2159	2055	1946	1830	1701	1565	1419	1242	1022	-	1219	DP19	1480	1/2	5483		
.30/15.2	.32/15.0	.34/14.8	.35/14.5	.37/14.4	.38/14.0	.38/12.9	.38/11.9	.37/11.1	-	1220		1520	1/2	5632		
2219	2118	2012	1900	1777	1646	1509	1350	1151	579	1221		1560	1/2	5780		
.33/15.9	.35/15.7	.36/15.5	.38/15.3	.40/15.1	.41/15.0	.42/13.9	.42/12.9	.41/12.0	.32/10.3	1222		1600	1/2	5928		
2279	2181	2078	1970	1853	1726	1595	1451	1272	791	1221		DP19	1480	1/2	5483	
.35/16.7	.37/16.4	.39/16.2	.41/16.0	.43/15.8	.44/15.7	.45/14.8	.45/13.9	.45/13.0	.39/11.3	1222			1520	1/2	5632	
2339	2243	2144	2039	1927	1804	1679	1544	1385	961	1221			1560	1/2	5780	
.38/17.4	.40/17.2	.42/17.0	.44/16.8	.46/16.6	.47/16.4	.48/15.9	.49/14.8	.49/13.8	.45/12.2	1222			1600	1/2	5928	
2399	2306	2209	2108	2001	1882	1760	1633	1489	1109	1222			DP19	1480	1/2	5483
.41/18.1	.43/17.9	.45/17.8	.47/17.6	.49/17.4	.51/17.2	.52/16.9	.52/15.9	.53/14.8	.50/13.1	1222				1520	1/2	5632

Power Ratings (BHP) does not include drive losses.
 Performance certified is for installation type A - free inlet, free outlet.
 Performance ratings include the effects of birdscreen in the airstream.
 The sound ratings shown are loudness values in fan sones @ 5' (1.5m) in a hemispherical free field calculated per AMCA Standard 301. Values shown are for: Installation Type A: free inlet hemispherical sone levels.



Soler & Palau USA, Div. of Soler & Palau Ventilation Group, certifies that the Models DB shown herein are licensed to bear the AMCA Seal. The ratings shown are based on test and procedures performed in accordance with AMCA Publication 211 and AMCA Publication 311 and comply with the requirement of the AMCA Certified Ratings Program.

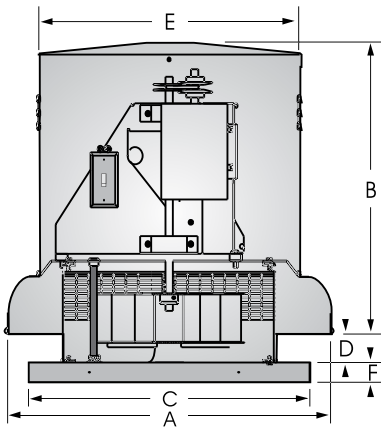




MODEL DB
BELT DRIVE CENTRIFUGAL ROOF EXHAUSTER



SIZE 14



Damper OD	Roof Opening	Curb OD	A	B	C	D	E	F	Fan Wt	Ship Wt
18	19-1/2	22-1/4	28-3/8	23	24	3-1/2	22-1/2	2	71	140

CFM / BHP @ Static Pressure / Sones											Drive Range	RPM	HP	Tip Speed
0	1/8	1/4	3/8	1/2	5/8	3/4	7/8	1	1-1/4	Catalog Number				
996	514	-	-	-	-	-	-	-	-	1401	DP20	435	1/4	1732
.02/2.3	.02/1.2	-	-	-	-	-	-	-	-	1402		475	1/4	1891
1088	710	-	-	-	-	-	-	-	-	1403		525	1/4	2090
.03/2.9	.03/1.9	-	-	-	-	-	-	-	-	1404		575	1/4	2289
1203	901	-	-	-	-	-	-	-	-	1405		625	1/4	2488
.04/3.6	.04/2.7	-	-	-	-	-	-	-	-	1406		675	1/4	2687
1317	1060	-	-	-	-	-	-	-	-	1407		725	1/4	2886
.05/4.3	.05/3.6	-	-	-	-	-	-	-	-	1408		775	1/4	3085
1432	1206	791	-	-	-	-	-	-	-	1409		825	1/4	3284
.06/5.0	.07/4.5	.06/3.4	-	-	-	-	-	-	-	1410		875	1/4	3483
1546	1343	1018	-	-	-	-	-	-	-	1411	DP21	925	1/4	3682
.08/5.9	.08/5.4	.08/4.3	-	-	-	-	-	-	-	1412		975	1/4	3881
1661	1475	1213	-	-	-	-	-	-	-	1413		1025	1/3	4080
.10/6.7	.10/6.2	.10/5.3	-	-	-	-	-	-	-	1414		1075	1/3	4279
1775	1604	1381	1017	-	-	-	-	-	-	1415		1125	1/2	4478
.12/7.4	.13/7.0	.13/6.3	.11/5.3	-	-	-	-	-	-	1416		1175	1/2	4677
1890	1731	1535	1240	-	-	-	-	-	-	1417		1225	1/2	4876
.15/8.2	.15/7.8	.15/7.3	.14/6.3	-	-	-	-	-	-	1418		1260	3/4	5016
2004	1857	1680	1439	1065	-	-	-	-	-	1419		1300	3/4	5175
.18/9.0	.18/8.6	.18/8.2	.18/7.2	.16/6.4	-	-	-	-	-	1420		1350	3/4	5374
2119	1981	1819	1613	1311	-	-	-	-	-	1421	DP22	1375	3/4	5473
.21/9.9	.21/9.5	.22/9.1	.21/8.3	.20/7.4	-	-	-	-	-	1422		1400	3/4	5573
2233	2103	1953	1773	1525	1168	-	-	-	-	1423		1400	3/4	5573
.24/10.9	.25/10.4	.25/10.0	.25/9.4	.24/8.5	.22/7.7	-	-	-	-	1424		1400	3/4	5573
2348	2225	2085	1923	1714	1425	-	-	-	-	1425		1400	3/4	5573
.28/11.8	.29/11.4	.29/11.0	.29/10.5	.29/9.6	.27/8.8	-	-	-	-	1426		1400	3/4	5573
2462	2346	2215	2067	1885	1642	1328	-	-	-	1427		1400	3/4	5573
.33/12.8	.33/12.4	.34/12.0	.34/11.7	.34/10.7	.32/9.9	.29/9.1	-	-	-	1428		1400	3/4	5573
2577	2466	2343	2206	2044	1840	1571	-	-	-	1429		1400	3/4	5573
.37/13.7	.38/13.4	.39/13.1	.39/12.6	.39/12.0	.38/11.1	.36/10.3	-	-	-	1430		1400	3/4	5573
2692	2586	2470	2341	2195	2018	1788	1510	-	-	1431	1400	3/4	5573	
.42/14.8	.43/14.5	.44/14.1	.44/13.7	.44/13.2	.44/12.3	.42/11.5	.39/10.8	-	-	1432	1400	3/4	5573	
2806	2705	2595	2474	2340	2183	1988	1740	1408	-	1433	1400	3/4	5573	
.48/15.9	.49/15.5	.50/15.2	.50/14.8	.50/14.4	.50/13.6	.49/12.8	.46/12.0	.42/11.3	-	1434	1400	3/4	5573	
2886	2788	2682	2566	2439	2292	2116	1893	1633	-	1435	1400	3/4	5573	
.52/16.7	.53/16.3	.54/15.9	.55/15.6	.55/15.2	.54/14.5	.54/13.7	.52/12.9	.48/12.2	-	1436	1400	3/4	5573	
2978	2883	2781	2670	2550	2414	2254	2058	1818	-	1437	1400	3/4	5573	
.57/17.6	.58/17.2	.59/16.8	.60/16.5	.60/16.1	.60/15.5	.59/14.7	.58/13.9	.55/13.3	-	1438	1400	3/4	5573	
3092	3001	2904	2799	2685	2560	2417	2247	2036	-	1439	1400	3/4	5573	
.64/18.7	.65/18.3	.66/18.0	.67/17.6	.67/17.3	.67/16.9	.67/16.0	.66/15.3	.64/14.5	-	1440	1400	3/4	5573	
3150	3060	2965	2862	2752	2632	2495	2335	2141	1621	1441	1400	3/4	5573	
.68/19.3	.69/19.0	.70/18.6	.71/18.2	.71/17.8	.71/17.5	.71/16.7	.70/16.0	.68/15.2	.60/13.9	1442	1400	3/4	5573	
3207	3119	3026	2926	2819	2703	2572	2420	2240	1782	1443	1400	3/4	5573	
.72/19.9	.73/19.6	.74/19.2	.74/18.8	.75/18.5	.75/18.1	.75/17.4	.74/16.6	.72/15.9	.66/14.5	1444	1400	3/4	5573	

Power Ratings (BHP) does not include drive losses.
Performance certified is for installation type A - free inlet, free outlet.
Performance ratings include the effects of birdscreen in the airstream.
The sound ratings shown are loudness values in fan sones @ 5' (1.5m) in a hemispherical free field calculated per AMCA Standard 301. Values shown are for: Installation Type A: free inlet hemispherical sone levels.



Soler & Palau USA, Div. of Soler & Palau Ventilation Group, certifies that the Models DB shown herein are licensed to bear the AMCA Seal. The ratings shown are based on test and procedures performed in accordance with AMCA Publication 211 and AMCA Publication 311 and comply with the requirement of the AMCA Certified Ratings Program.

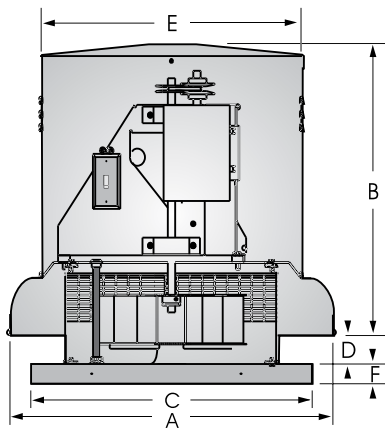




MODEL DB
BELT DRIVE CENTRIFUGAL ROOF EXHAUSTER



SIZE 16



Dimensional Data										
Damper OD	Roof Opening	Curb OD	A	B	C	D	E	F	Fan Wt	Ship Wt
18	19-1/2	22-1/4	32-1/4	24	24	6	26-1/4	2-1/2	79	145

CFM / BHP @ Static Pressure / Sones											Drive Range	RPM	HP	Tip Speed		
0	1/8	1/4	3/8	1/2	5/8	3/4	7/8	1	1-1/4	Catalog Number						
.04/2.9	.04/1.8	-	-	-	-	-	-	-	-	1601	DP26	425	1/4	2030		
.05/3.6	.05/2.6	-	-	-	-	-	-	-	-	1602		465	1/4	2221		
.06/4.3	.07/3.3	-	-	-	-	-	-	-	-	1603		505	1/4	2413		
.07/5.0	.08/4.1	-	-	-	-	-	-	-	-	1604		545	1/4	2604		
.09/5.8	.10/4.9	.10/4.0	-	-	-	-	-	-	-	1605		585	1/4	2795		
.11/6.5	.12/5.7	.12/4.8	-	-	-	-	-	-	-	1606		625	1/4	2986		
.13/7.2	.15/6.4	.15/5.6	-	-	-	-	-	-	-	1607		665	1/4	3177		
.16/8.0	.17/7.2	.18/6.4	.17/6.2	-	-	-	-	-	-	1608		705	1/4	3368		
.19/8.7	.20/7.9	.21/7.2	.21/6.5	-	-	-	-	-	-	1609		745	1/4	3559		
.22/9.5	.24/8.7	.25/8.0	.25/7.4	.20/7.2	-	-	-	-	-	1610		785	1/4	3750		
.23/9.8	.25/9.0	.26/8.3	.26/7.7	.23/7.5	-	-	-	-	-	1611	DP29	800	1/4	3822		
.26/10.3	.27/9.5	.29/8.8	.29/8.2	.27/7.7	-	-	-	-	-	1612		825	1/3	3941		
.28/10.7	.29/10.0	.31/9.2	.31/8.6	.30/8.1	-	-	-	-	-	1613		845	1/3	4037		
.30/11.2	.32/10.4	.33/9.8	.34/9.1	.34/8.6	.25/8.5	-	-	-	-	1614		DP31	870	1/3	4156	
.33/11.9	.35/11.1	.37/10.4	.38/9.8	.37/9.3	.33/9.1	-	-	-	-	1615			900	1/2	4300	
.37/12.5	.39/11.8	.40/11.1	.42/10.5	.42/9.9	.40/9.6	-	-	-	-	1616			930	1/2	4430	
.40/13.2	.43/12.5	.44/11.8	.46/11.1	.46/10.7	.45/10.2	.36/9.9	-	-	-	1617			960	1/2	4586	
.46/14.0	.48/13.4	.50/12.7	.51/12.1	.52/11.5	.51/11.2	.48/11.0	-	-	-	1618			DP31	1000	1/2	4778
.54/15.5	.57/14.8	.59/14.1	.60/13.6	.62/13.1	.62/12.6	.60/13.0	.54/12.8	-	-	1619				1060	3/4	5064
.59/16.2	.62/15.6	.64/15.0	.65/14.3	.67/13.8	.67/13.4	.66/13.6	.63/14.4	.45/14.2	-	1620				1090	3/4	5207
.64/17.0	.67/16.4	.69/15.8	.71/15.2	.72/14.6	.73/14.2	.72/14.3	.70/15.1	.60/14.9	-	1621	1120			3/4	5351	
.70/17.9	.73/17.3	.75/16.7	.77/16.2	.79/15.7	.79/15.1	.79/15.0	.78/15.9	.73/15.9	-	1622	1155			3/4	5518	

Power Ratings (BHP) does not include drive losses.
 Performance certified is for installation type A - free inlet, free outlet.
 Performance ratings include the effects of birdscreen in the airstream.
 The sound ratings shown are loudness values in fan sones @ 5' (1.5m) in a hemispherical free field calculated per AMCA Standard 301. Values shown are for: Installation Type A: free inlet hemispherical sone levels.



Soler & Palau USA, Div. of Soler & Palau Ventilation Group, certifies that the Models DB shown herein are licensed to bear the AMCA Seal. The ratings shown are based on test and procedures performed in accordance with AMCA Publication 211 and AMCA Publication 311 and comply with the requirement of the AMCA Certified Ratings Program.

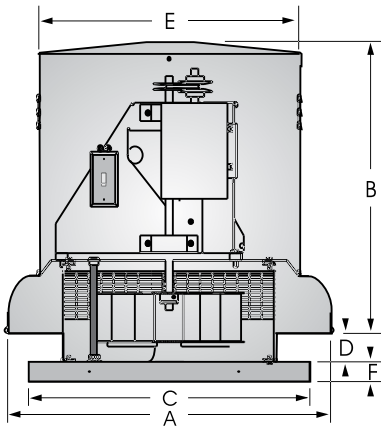




MODEL DB
BELT DRIVE CENTRIFUGAL ROOF EXHAUSTER



SIZE 18



Dimensional Data										
Damper OD	Roof Opening	Curb OD	A	B	C	D	E	F	Fan Wt	Ship Wt
24	24-3/4	27-3/4	32-1/4	24	29-1/2	4-1/2	26-1/4	2-1/2	96	160

CFM / BHP @ Static Pressure / Sones											Drive Range	RPM	HP	Tip Speed
0	1/8	1/4	3/8	1/2	5/8	3/4	7/8	1	1-1/4	Catalog Number				
2031 .09/6.4	1663 .10/5.4	1054 .08/5.6	-	-	-	-	-	-	-	1801	DP32	535	1/4	2556
2202 .12/7.3	1874 .12/6.4	1395 .11/6.6	-	-	-	-	-	-	-	1802		580	1/4	2771
2372 .15/8.3	2077 .15/7.4	1679 .15/6.5	-	-	-	-	-	-	-	1803		625	1/4	2986
2543 .18/9.4	2274 .19/8.5	1924 .19/7.6	1431 .17/7.8	-	-	-	-	-	-	1804		670	1/4	3201
2714 .22/10.5	2465 .23/9.6	2151 .23/8.7	1740 .22/9.0	-	-	-	-	-	-	1805		715	1/4	3416
2885 .26/11.5	2653 .27/10.6	2369 .27/9.8	2024 .27/9.0	1531 .24/8.8	-	-	-	-	-	1806		760	1/3	3631
3056 .31/12.5	2838 .32/11.6	2579 .33/10.8	2274 .32/10.0	1873 .30/9.8	-	-	-	-	-	1807		805	1/3	3846
3226 .37/13.4	3022 .38/12.7	2785 .38/11.8	2507 .38/11.1	2168 .37/11.0	1715 .34/10.8	-	-	-	-	1808		850	1/2	4061
3397 .43/14.3	3204 .44/13.6	2986 .45/13.0	2729 .45/12.3	2437 .44/11.5	2061 .42/11.3	-	-	-	-	1809		895	1/2	4276
3568 .50/15.5	3385 .51/14.7	3183 .52/14.0	2944 .52/13.4	2681 .51/12.9	2358 .50/12.8	1965 .46/12.6	-	-	-	1810		940	1/2	4491
3739 .58/16.7	3564 .59/16.0	3375 .60/15.3	3155 .60/14.6	2912 .59/14.0	2635 .58/13.5	2288 .56/13.3	1676 .47/13.1	-	-	1811	985	3/4	4706	
3910 .66/17.9	3743 .67/17.2	3565 .68/16.6	3361 .68/15.9	3135 .68/15.3	2886 .67/14.7	2585 .65/14.4	2235 .62/14.1	-	-	1812	1030	3/4	4921	
4080 .75/19.1	3922 .76/18.5	3752 .77/17.8	3563 .78/17.2	3351 .77/16.6	3123 .77/16.0	2863 .76/15.5	2544 .73/15.3	2167 .68/15.1	-	1813	1075	3/4	5136	
4251 .85/21	4099 .86/19.8	3938 .87/19.1	3762 .88/18.6	3562 .88/18.0	3350 .87/17.4	3117 .86/16.9	2840 .84/16.5	2524 .81/16.1	-	1814	1120	1	5351	
4422 .95/22	4276 .97/21	4123 .98/21	3957 .99/19.9	3770 .99/19.3	3570 .98/18.8	3356 .98/18.2	3115 .96/17.7	2824 .93/17.3	-	1815	1165	1	5566	
4593 1.07/23	4452 1.08/23	4306 1.10/22	4149 1.10/21	3975 1.11/21	3784 1.10/20	3585 1.10/19.6	3368 1.09/19.1	3116 1.07/18.7	2508 .99/18.5	1816	1210	1-1/2	5781	
4764 1.19/25	4628 1.21/24	4488 1.22/23	4339 1.23/23	4176 1.23/22	3995 1.23/22	3808 1.23/21	3607 1.22/21	3386 1.21/20	2841 1.14/19.7	1817	1255	1-1/2	5996	
4935 1.32/26	4804 1.34/25	4669 1.36/25	4527 1.37/24	4373 1.37/24	4204 1.37/23	4025 1.37/23	3837 1.36/22	3635 1.35/22	3140 1.29/21	1818	1300	1-1/2	6211	
5105 1.47/28	4979 1.48/27	4849 1.50/26	4713 1.51/26	4569 1.52/25	4408 1.52/25	4237 1.52/24	4061 1.51/24	3873 1.50/23	3434 1.46/22	1819	1345	1-1/2	6426	
5276 1.62/29	5154 1.64/29	5029 1.65/28	4898 1.67/27	4761 1.67/27	4610 1.68/26	4447 1.68/26	4279 1.67/25	4104 1.67/25	3709 1.63/24	1820	1390	2	6641	
5447 1.78/31	5329 1.80/30	5208 1.82/30	5082 1.83/29	4951 1.84/28	4809 1.84/28	4655 1.85/27	4493 1.84/27	4327 1.84/26	3964 1.81/25	1821	1435	2	6856	
5618 1.95/32	5504 1.97/32	5386 1.99/31	5265 2.01/31	5139 2.02/30	5005 2.02/29	4859 2.02/29	4704 2.02/28	4546 2.02/28	4206 2.00/27	1822	1480	2	7071	

Power Ratings (BHP) does not include drive losses.
 Performance certified is for installation type A - free inlet, free outlet.
 Performance ratings include the effects of birdscreen in the airstream.
 The sound ratings shown are loudness values in fan sones @ 5' (1.5m) in a hemispherical free field calculated per AMCA Standard 301. Values shown are for: Installation Type A: free inlet hemispherical sone levels.



Soler & Palau USA, Div. of Soler & Palau Ventilation Group, certifies that the Models DB shown herein are licensed to bear the AMCA Seal. The ratings shown are based on test and procedures performed in accordance with AMCA Publication 211 and AMCA Publication 311 and comply with the requirement of the AMCA Certified Ratings Program.

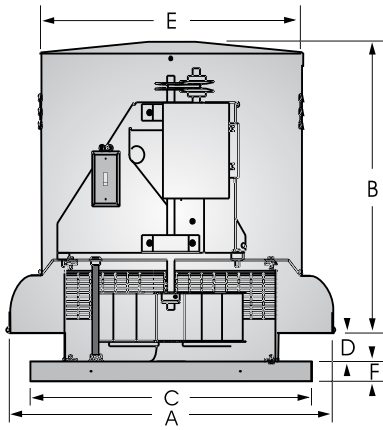




MODEL DB
BELT DRIVE CENTRIFUGAL ROOF EXHAUSTER



SIZE 20



Dimensional Data										
Damper OD	Roof Opening	Curb OD	A	B	C	D	E	F	Fan Wt	Ship Wt
24	24-3/4	27-3/4	36-3/4	24-1/2	29-1/2	4-1/2	26-1/4	2-1/2	98	215

CFM / BHP @ Static Pressure / Sones											Drive Range	RPM	HP	Tip Speed	
0	1/8	1/4	3/8	1/2	5/8	3/4	7/8	1	1-1/4	Catalog Number					
2357 .09/5.4	1936 .10/3.9	1151 .09/3.7	-	-	-	-	-	-	-	2001	DP41	DP38	440	1/4	2460
2571 .12/6.2	2200 .13/4.8	1617 .12/4.6	-	-	-	-	-	-	-	2002			480	1/4	2683
2785 .15/7.0	2455 .16/5.8	1982 .16/5.1	1098 .13/4.7	-	-	-	-	-	-	2003	DP40	DP39	520	1/4	2907
3000 .19/7.9	2701 .20/7.0	2302 .21/6.2	1681 .19/5.9	-	-	-	-	-	-	2004			560	1/4	3130
3214 .23/9.1	2939 .25/8.2	2586 .25/7.3	2098 .25/6.9	1259 .20/6.0	-	-	-	-	-	2005	DP42	DP40	600	1/4	3354
3401 .28/9.7	3144 .29/8.8	2822 .30/8.2	2412 .30/7.5	1799 .27/7.2	-	-	-	-	-	2006			635	1/3	3550
3562 .32/10.2	3318 .33/9.4	3021 .34/8.7	2658 .35/8.2	2145 .33/8.3	1281 .26/7.8	-	-	-	-	2007	DP41	DP40	665	1/3	3717
3750 .37/10.8	3520 .38/10.1	3248 .40/9.4	2923 .40/9.0	2490 .39/8.5	1880 .35/8.2	-	-	-	-	2008			700	1/2	3913
3910 .42/11.6	3691 .43/10.6	3438 .45/10.0	3134 .46/9.6	2757 .45/9.2	2251 .42/8.9	1438 .35/8.7	-	-	-	2009	DP42	DP41	730	1/2	4081
4071 .47/12.3	3861 .49/11.2	3625 .51/10.7	3338 .51/10.2	3007 .52/9.9	2567 .50/9.5	1963 .45/9.3	-	-	-	2010			760	1/2	4248
4285 .55/13.2	4087 .57/12.3	3868 .59/11.7	3604 .60/11.2	3315 .60/10.9	2942 .59/10.5	2469 .56/10.4	1784 .49/10.3	-	-	2011	DP42	DP41	800	3/4	4472
4500 .64/14.1	4311 .66/13.4	4106 .67/13.0	3866 .69/12.5	3599 .70/12.0	3283 .70/11.6	2886 .67/11.3	2379 .62/11.1	1594 .52/10.8	-	2012			840	3/4	4696
4687 .72/14.9	4506 .74/14.4	4312 .76/13.9	4091 .78/13.5	3838 .79/13.2	3560 .79/12.7	3210 .78/12.4	2787 .74/12.3	2229 .68/10.9	-	2013	DP42	DP41	875	3/4	4891
4901 .82/16.2	4729 .84/15.7	4546 .86/15.2	4341 .88/14.7	4104 .90/14.3	3854 .90/14.0	3553 .90/13.6	3191 .88/13.4	2751 .83/12.9	-	2014			915	1	5115
5089 .92/17.3	4923 .94/16.8	4748 .96/16.4	4557 .98/15.9	4335 1.00/15.5	4098 1.01/15.1	3834 1.01/14.7	3511 1.00/14.4	3133 .96/13.9	2017 .80/13.0	2015	DP42	DP43	950	1	5311
5276 1.03/18.4	5117 1.05/17.9	4949 1.07/17.5	4768 1.09/17.1	4562 1.11/16.7	4336 1.12/16.3	4098 1.12/15.9	3811 1.12/15.5	3476 1.10/15.4	2589 .98/15.1	2016			985	1	5506
5517 1.17/19.9	5365 1.20/19.4	5206 1.22/19.0	5036 1.24/18.5	4847 1.26/18.1	4634 1.28/17.8	4416 1.28/17.4	4171 1.28/17.1	3879 1.28/16.8	3156 1.19/16.7	2017	DP42	DP43	1030	1-1/2	5758
5705 1.30/21	5558 1.32/21	5405 1.35/20	5242 1.37/19.8	5065 1.39/19.4	4865 1.41/19.0	4655 1.42/18.6	4434 1.42/18.3	4173 1.42/18.0	3532 1.36/17.8	2018			1065	1-1/2	5953
5892 1.43/22	5750 1.45/22	5602 1.48/22	5447 1.50/21	5280 1.53/21	5092 1.55/20	4889 1.56/19.9	4683 1.56/19.5	4451 1.56/19.2	3874 1.53/19.1	2019	DP42	DP43	1100	1-1/2	6149
6107 1.59/24	5970 1.62/24	5828 1.64/23	5679 1.67/23	5521 1.69/22	5346 1.71/22	5154 1.73/21	4985 1.74/21	4751 1.74/21	4236 1.73/20	2020			1140	2	6373
6294 1.74/25	6161 1.77/25	6024 1.80/24	5881 1.82/24	5730 1.85/24	5566 1.87/23	5384 1.89/23	5194 1.90/22	4999 1.91/22	4535 1.90/21	2021	DP42	DP43	1175	2	6568
6482 1.90/27	6353 1.93/26	6220 1.96/26	6082 1.98/25	5937 2.01/25	5782 2.04/25	5610 2.06/24	5426 2.07/24	5241 2.08/24	4821 2.08/24	2022			1210	2	6764

Power Ratings (BHP) does not include drive losses.
Performance certified is for installation type A - free inlet, free outlet.
Performance ratings include the effects of birdscreen in the airstream.
The sound ratings shown are loudness values in fan sones @ 5' (1.5m) in a hemispherical free field calculated per AMCA Standard 301. Values shown are for Installation Type A: free inlet hemispherical sone levels.

AMCA CERTIFIED RATINGS
Soler & Palau USA, Div. of Soler & Palau Ventilation Group, certifies that the Models DB shown herein are licensed to bear the AMCA Seal. The ratings shown are based on test and procedures performed in accordance with AMCA Publication 211 and AMCA Publication 311 and comply with the requirement of the AMCA Certified Ratings Program.

OUND and AIR PERFORMANCE
SOLER & PALAU ASSOCIATION INTERNATIONAL, INC.

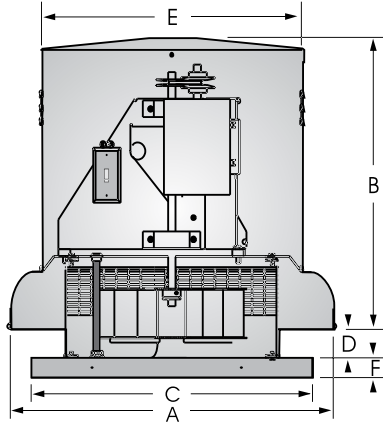




MODEL DB
BELT DRIVE CENTRIFUGAL ROOF EXHAUSTER



SIZE 24



Dimensional Data										
Damper OD	Roof Opening	Curb OD	A	B	C	D	E	F	Fan Wt	Ship Wt
30	30-3/4	33-3/4	41-1/4	26-1/2	35-3/4	8-1/2	30	2-1/2	155	290

CFM / BHP @ Static Pressure / Sones											Drive Range	RPM	HP	Tip Speed
0	1/8	1/4	3/8	1/2	5/8	3/4	7/8	1	1-1/4	Catalog Number				
3286	2405	-	-	-	-	-	-	-	-	2401	DP45	330	1/4	2102
.09/5.1	.10/3.9	-	-	-	-	-	-	-	-	-		365	1/4	2325
3634	2914	-	-	-	-	-	-	-	-	2402	DP46	400	1/4	2548
.12/6.1	.14/5.2	-	-	-	-	-	-	-	-	-		450	1/4	2867
3983	3364	1948	-	-	-	-	-	-	-	2403	DP47	470	1/3	2994
.16/7.2	.18/6.6	.15/4.8	-	-	-	-	-	-	-	-		490	1/3	3121
4480	3949	3090	-	-	-	-	-	-	-	2404	DP48	540	1/2	3440
.23/9.0	.25/8.4	.25/6.9	-	-	-	-	-	-	-	-		560	1/2	3567
4680	4176	3453	1852	-	-	-	-	-	-	2405	DP49	590	3/4	3758
.26/9.7	.28/9.2	.29/7.8	.22/6.8	-	-	-	-	-	-	-		610	3/4	3886
4879	4400	3751	2388	-	-	-	-	-	-	2406	DP50	645	3/4	4109
.30/10.2	.32/9.7	.33/8.6	.27/7.3	-	-	-	-	-	-	-		680	1	4332
5376	4952	4436	3483	2055	-	-	-	-	-	2407	DP51	710	1	4523
.40/11.7	.42/11.3	.44/10.8	.41/9.0	.32/8.6	-	-	-	-	-	-		750	1-1/2	4778
5576	5169	4688	3972	2614	-	-	-	-	-	2408	DP52	785	1-1/2	5000
.44/12.4	.47/11.9	.49/11.5	.48/9.8	.40/8.8	-	-	-	-	-	-		820	1-1/2	5223
5874	5493	5048	4447	3296	1791	-	-	-	-	2409	DP53	855	2	5446
.52/13.4	.55/12.9	.57/12.5	.57/11.2	.50/9.9	.38/9.8	-	-	-	-	-		900	2	5733
6073	5706	5282	4735	3702	2487	-	-	-	-	2410	DP54	925	3	5892
.57/14.2	.60/13.5	.63/13.2	.63/12.1	.57/10.6	.48/10.8	-	-	-	-	-		960	3	6115
6422	6078	5683	5219	4557	3374	1906	-	-	-	2411	DP55	980	3	6243
.68/15.6	.71/14.9	.74/14.3	.75/13.8	.73/12.2	.63/11.3	.49/11.1	-	-	-	-		1000	3	6370
6770	6447	6077	5670	5117	4097	3051	-	-	-	2412	DP56			
.80/17.0	.83/16.4	.86/15.9	.88/15.3	.87/14.0	.79/13.1	.70/12.4	-	-	-	-				
7069	6761	6412	6033	5549	4848	3773	2570	-	-	2413	DP57			
.91/18.3	.94/17.7	.97/17.2	.99/16.7	1.00/15.5	.96/14.6	.85/14.0	.72/13.8	-	-	-				
7467	7177	6854	6502	6096	5566	4594	3685	2423	-	2414	DP58			
1.07/20	1.10/19.5	1.14/19.0	1.16/18.5	1.18/17.9	1.17/16.7	1.07/16.0	.97/15.4	.80/15.3	-	-				
7816	7540	7235	6904	6545	6077	5479	4451	3518	-	2415	DP59			
1.22/22	1.26/21	1.30/21	1.33/20	1.35/19.7	1.35/18.6	1.32/17.8	1.18/17.2	1.07/16.6	-	-				
8164	7902	7613	7299	6968	6567	6073	5180	4360	-	2416	DP60			
1.40/23	1.43/23	1.47/22	1.51/22	1.53/21	1.54/21	1.53/19.7	1.42/19.0	1.31/18.4	-	-				
8513	8262	7988	7691	7380	7029	6587	6059	5077	3286	2417	DP61			
1.58/25	1.62/24	1.66/24	1.70/24	1.73/23	1.74/23	1.74/22	1.71/21	1.56/20	1.29/20	-				
8961	8723	8467	8190	7899	7590	7218	6775	6180	4490	2418	DP62			
1.85/27	1.89/27	1.93/26	1.97/26	2.00/26	2.03/25	2.04/24	2.02/24	1.97/23	1.69/22	-				
9210	8979	8731	8464	8182	7888	7550	7136	6665	5053	2419	DP63			
2.00/28	2.05/28	2.09/28	2.13/27	2.17/27	2.19/27	2.21/26	2.20/25	2.18/25	1.91/23	-				
9558	9337	9099	8846	8576	8299	7998	7631	7211	5760	2420	DP64			
2.24/30	2.28/30	2.33/29	2.37/29	2.41/28	2.44/28	2.47/28	2.47/27	2.46/26	2.22/25	-				
9757	9541	9309	9062	8800	8530	8243	7902	7503	6189	2421	DP65			
2.38/31	2.43/30	2.47/30	2.52/30	2.56/29	2.59/29	2.62/29	2.63/28	2.62/27	2.42/26	-				
9956	9744	9518	9278	9023	8760	8483	8166	7789	6753	2422	DP66			
2.53/31	2.58/31	2.63/31	2.67/30	2.71/30	2.75/30	2.78/30	2.79/29	2.79/28	2.67/27	-				

Power Ratings (BHP) does not include drive losses.
 Performance certified is for installation type A - free inlet, free outlet.
 Performance ratings include the effects of birdscreen in the airstream.
 The sound ratings shown are loudness values in fan sones @ 5' (1.5m) in a hemispherical free field calculated per AMCA Standard 301. Values shown are for: Installation Type A: free inlet hemispherical sone levels.



Soler & Palau USA, Div. of Soler & Palau Ventilation Group, certifies that the Models DB shown herein are licensed to bear the AMCA Seal. The ratings shown are based on test and procedures performed in accordance with AMCA Publication 211 and AMCA Publication 311 and comply with the requirement of the AMCA Certified Ratings Program.

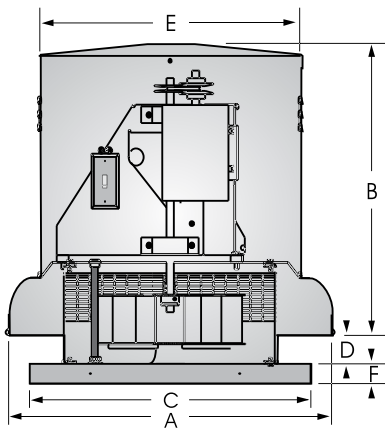




MODEL DB
BELT DRIVE CENTRIFUGAL ROOF EXHAUSTER



SIZE 30



Dimensional Data										
Damper OD	Roof Opening	Curb OD	A	B	C	D	E	F	Fan Wt	Ship Wt
36	37-1/4	40-3/4	58-3/8	37	42-1/2	5-1/2	41	2-1/2	265	465

CFM / BHP @ Static Pressure / Sones											Drive Range	RPM	HP	Tip Speed	
0	1/8	1/4	3/8	1/2	5/8	3/4	7/8	1	1-1/4	Catalog Number					
4068 .09/2.7	2456 .09/2.5	-	-	-	-	-	-	-	-	3001	DP53	235	1/3	1871	
4588 .13/3.4	3300 .14/3.2	-	-	-	-	-	-	-	-	3002		265	1/3	2110	
5107 .18/4.2	4015 .19/3.6	1930 .15/3.4	-	-	-	-	-	-	-	3003		295	1/3	2349	
5626 .24/5.0	4681 .26/4.1	3220 .24/3.6	-	-	-	-	-	-	-	3004		325	1/3	2588	
6146 .32/5.8	5311 .34/4.7	4149 .33/5.0	-	-	-	-	-	-	-	3005		355	1/3	2827	
6665 .40/6.6	5916 .43/5.3	4921 .43/6.2	3455 .38/6.1	-	-	-	-	-	-	3006		385	1/2	3066	
7098 .49/7.3	6406 .51/5.9	5512 .52/6.6	4350 .49/6.4	2246 .38/6.8	-	-	-	-	-	3007		410	1/2	3265	
7531 .58/8.1	6888 .61/6.7	6081 .62/7.1	5087 .60/7.0	3601 .53/6.9	-	-	-	-	-	3008		435	3/4	3464	
8050 .71/9.1	7456 .74/7.6	6735 .76/7.7	5866 .75/8.5	4743 .71/8.2	2961 .59/8.1	-	-	-	-	3009		465	3/4	3703	
8483 .83/9.8	7925 .86/8.4	7262 .89/8.2	6468 .89/8.9	5528 .85/8.8	4179 .77/8.0	-	-	-	-	3010		DP57	490	1	3902
8916 .97/10.6	8388 1.00/9.2	7775 1.03/8.7	7047 1.03/9.4	6215 1.01/9.2	5132 .95/8.6	3571 .82/8.8	-	-	-	3011	515		1	4101	
9608 1.21/12.0	9124 1.25/10.6	8574 1.30/9.5	7937 1.30/10.2	7213 1.28/11.0	6385 1.25/9.0	5286 1.17/8.9	3788 1.02/8.7	-	-	3012	555		1-1/2	4419	
10214 1.46/13.2	9761 1.49/11.7	9257 1.55/10.6	8683 1.55/11.0	8030 1.55/11.7	7315 1.53/12.6	6472 1.48/12.4	5352 1.38/12.2	3860 1.21/21.6	-	3013	590		1-1/2	4698	
10820 1.73/14.5	10395 1.77/13.1	9928 1.84/11.8	9405 1.84/11.7	8817 1.85/12.6	8171 1.84/13.3	7460 1.80/13.0	6604 1.74/12.8	5497 1.62/12.7	-	3014	625		2	4977	
11339 1.99/15.6	10936 2.03/14.2	10496 2.07/13.1	10010 2.10/12.6	9469 2.13/13.2	8871 2.12/14.0	8231 2.10/14.8	7507 2.05/14.6	6617 196/14.0	4024 1.61/13.8	3015	DP58		655	2	5215
11859 2.28/16.7	11474 2.32/15.4	11058 2.36/14.3	10605 2.40/13.4	10104 2.43/14.0	9552 2.43/14.7	8960 2.42/15.4	8319 2.38/15.1	7584 2.32/14.7	5573 2.07/14.5	3016			685	3	5454
12378 2.59/17.9	12011 2.64/16.5	11617 2.68/15.4	11190 2.72/14.4	10724 2.75/14.8	10213 2.77/15.4	9660 2.76/16.1	9076 2.73/16.9	8434 2.69/16.8	6767 2.49/17.9	3017			715	3	5693
12897 2.93/19.1	12546 2.98/17.9	12171 3.02/16.7	11768 3.06/15.7	11332 3.10/15.6	10857 3.13/16.2	10343 3.13/16.9	9798 3.11/17.6	9220 3.07/18.5	7827 2.93/19.4	3018			745	3	5932
13330 3.24/20	12991 3.29/18.9	12630 3.33/17.8	12245 3.37/16.8	11831 3.41/16.4	11383 3.45/16.9	10899 3.46/17.6	10381 3.45/18.3	9841 3.42/19.1	8602 3.31/19.8	3019			DP59	770	5
13936 3.70/22	13612 3.75/20	13270 3.80/19.4	12907 3.84/18.3	12520 3.88/17.4	12104 3.92/18.0	11657 3.95/18.6	11179 3.95/19.3	10676 3.93/19.9	9580 3.84/21	3020		805		5	6410
14542 4.20/23	14232 4.26/22	13907 4.31/21	13563 4.35/19.9	13199 4.40/19.0	12811 4.44/19.1	12396 4.48/19.6	11954 4.49/20	11485 4.48/21	10487 4.41/22	3021		840		5	6689
15148 4.75/24	14851 4.81/23	14540 4.86/22	14214 4.91/22	13871 4.96/21	13507 5.00/20	13120 5.04/21	12709 5.07/21	12273 5.08/22	11344 5.03/23	3022		875		5	6967

Power Ratings (BHP) does not include drive losses.
Performance certified is for installation type A - free inlet, free outlet.
Performance ratings include the effects of birdscreen in the airstream.
The sound ratings shown are loudness values in fan sones @ 5' (1.5m) in a hemispherical free field calculated per AMCA Standard 301. Values shown are for: Installation Type A: free inlet hemispherical sone levels.



Soler & Palau USA, Div. of Soler & Palau Ventilation Group, certifies that the Models DB shown herein are licensed to bear the AMCA Seal. The ratings shown are based on test and procedures performed in accordance with AMCA Publication 211 and AMCA Publication 311 and comply with the requirement of the AMCA Certified Ratings Program.

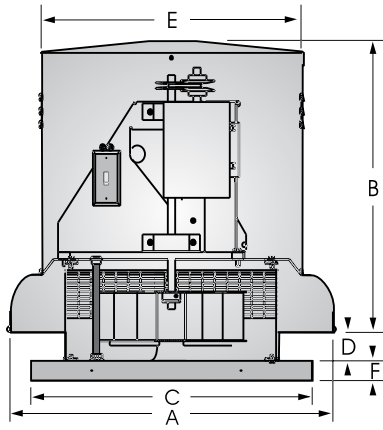




MODEL DB
BELT DRIVE CENTRIFUGAL ROOF EXHAUSTER



SIZE 36



Dimensional Data										
Damper OD	Roof Opening	Curb OD	A	B	C	D	E	F	Fan Wt	Ship Wt
36	37-1/4	40-3/4	58-3/8	37	42-1/2	10	41	2-1/2	275	475

CFM / BHP @ Static Pressure / Sones										Drive Range	RPM	HP	Tip Speed		
0	1/8	1/4	3/8	1/2	5/8	3/4	7/8	1	1-1/4					Catalog Number	
5995	3550	-	-	-	-	-	-	-	-	3601	DP61	210	1/2	1945	
.16/3.9	.14/3.0	-	-	-	-	-	-	-	-	3602		235	1/2	2177	
6708	4887	-	-	-	-	-	-	-	-	3603		260	1/2	2408	
.22/4.9	.22/4.1	-	-	-	-	-	-	-	-	3604		285	1/2	2640	
7422	5964	-	-	-	-	-	-	-	-	3605		DP62	310	1/2	2871
.30/5.9	.31/5.2	-	-	-	-	-	-	-	-	3606			330	3/4	3057
8136	6868	4443	-	-	-	-	-	-	-	3607		DP63	355	3/4	3288
.40/7.0	.42/6.4	.35/5.6	-	-	-	-	-	-	-	3608			370	1	3427
8849	7708	5686	-	-	-	-	-	-	-	3609		DP64	385	1	3566
.51/8.2	.53/7.7	.48/6.8	-	-	-	-	-	-	-	3610			400	1-1/2	3705
9420	8361	6793	4157	-	-	-	-	-	-	3611		DP65	415	1-1/2	3844
.62/9.2	.64/8.8	.62/8.0	.49/7.1	-	-	-	-	-	-	3612			430	1-1/2	3983
10134	9166	7936	5730	-	-	-	-	-	-	3613		DP66	445	1-1/2	4122
.77/10.1	.80/9.7	.80/9.1	.68/8.3	-	-	-	-	-	-	3614			470	2	4353
10562	9646	8521	6450	3321	-	-	-	-	-	3615		DP67	490	2	4539
.87/10.7	.90/10.3	.91/9.7	.80/8.9	.57/8.8	-	-	-	-	-	3616			510	3	4724
10990	10122	9075	7268	5137	-	-	-	-	-	3617	DP67	535	3	4955	
.98/11.3	1.02/10.8	1.02/10.3	.94/9.7	.80/9.0	-	-	-	-	-	3618		560	3	5187	
11418	10593	9607	8102	6133	-	-	-	-	-	3619	DP67	580	5	5372	
1.10/11.9	1.14/11.4	1.15/10.9	1.09/10.3	.96/9.7	-	-	-	-	-	3620		620	5	5742	
11846	11060	10120	8852	6860	3994	-	-	-	-	3621	DP67	640	5	5928	
1.23/12.6	1.27/12.0	1.28/11.6	1.25/10.9	1.10/10.4	.84/10.2	-	-	-	-	3622		660	5	6113	
12275	11524	10623	9521	7583	5709	-	-	-	-						
1.37/13.3	1.41/12.8	1.43/12.2	1.41/11.6	1.26/11.1	1.11/10.5	-	-	-	-						
12703	11985	11118	10124	8417	6731	-	-	-	-						
1.52/14.3	1.56/13.6	1.58/13.0	1.57/12.4	1.45/11.8	1.31/11.3	-	-	-	-						
13416	12747	11931	11059	9774	7958	6170	-	-	-						
1.79/15.5	1.83/15.0	1.86/14.6	1.86/14.0	1.79/13.3	1.62/12.7	1.44/12.2	-	-	-						
13987	13351	12574	11770	10712	8982	7516	4507	-	-						
2.03/16.7	2.08/16.2	2.10/15.7	2.11/15.2	2.08/14.6	1.90/14.1	1.76/13.5	1.34/13.2	-	-						
14558	13953	13218	12453	11540	10114	8485	6849	-	-						
2.29/17.9	2.34/17.4	2.37/17.0	2.38/16.5	2.37/15.9	2.23/15.2	2.05/14.7	1.86/14.2	-	-						
15272	14701	14015	13287	12489	11391	9739	8401	6406	-						
2.64/19.4	2.69/18.9	2.73/18.5	2.74/18.1	2.74/17.6	2.67/17.0	2.47/16.4	2.32/15.8	2.03/15.6	-						
15986	15445	14803	14106	13387	12494	11151	9603	8338	-						
3.03/21	3.09/21	3.12/20	3.14/19.7	3.15/19.3	3.12/18.7	2.96/18.2	2.75/17.6	2.59/17.1	-						
16556	16038	15427	14754	14078	13283	12187	10640	9371	-						
3.36/22	3.42/22	3.47/22	3.49/21	3.50/21	3.49/20	3.38/19.5	3.15/19.0	2.99/18.5	-						
17698	17218	16663	16040	15416	14752	13951	12842	11372	8936						
4.11/25	4.17/25	4.22/24	4.25/24	4.27/24	4.28/23	4.25/23	4.10/22	3.85/21	3.47/20						
18269	17806	17275	16680	16072	15450	14727	13803	12509	10068						
4.52/26	4.59/26	4.64/26	4.67/25	4.69/25	4.70/25	4.69/24	4.60/24	4.37/23	3.97/22						
18840	18393	17884	17315	16722	16130	15470	14678	13586	11030						
4.96/28	5.03/27	5.08/27	5.12/27	5.14/27	5.16/26	5.15/26	5.11/25	4.93/25	4.46/23						

Power Ratings (BHP) does not include drive losses.
 Performance certified is for installation type A - free inlet, free outlet.
 Performance ratings include the effects of birdscreen in the airstream.
 The sound ratings shown are loudness values in fan sones @ 5' (1.5m) in a hemispherical free field calculated per AMCA Standard 301. Values shown are for: Installation Type A: free inlet hemispherical sone levels.



Soler & Palau USA, Div. of Soler & Palau Ventilation Group, certifies that the Models DB shown herein are licensed to bear the AMCA Seal. The ratings shown are based on test and procedures performed in accordance with AMCA Publication 211 and AMCA Publication 311 and comply with the requirement of the AMCA Certified Ratings Program.

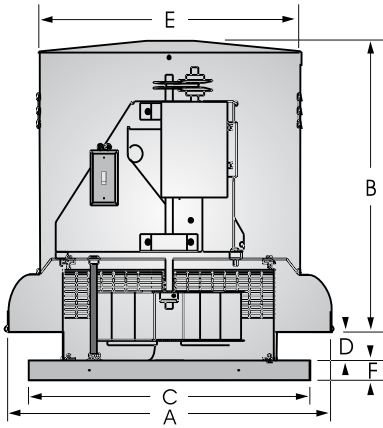




MODEL DB
BELT DRIVE CENTRIFUGAL ROOF EXHAUSTER



SIZE 42



Dimensional Data										
Damper OD	Roof Opening	Curb OD	A	B	C	D	E	F	Fan Wt	Ship Wt
48	50-1/4	53-1/4	73	40-1/2	55	10	54-5/8	2-1/2	425	700

CFM / BHP @ Static Pressure / Sones											Drive Range	RPM	HP	Tip Speed
0	1/8	1/4	3/8	1/2	5/8	3/4	7/8	1	1-1/4	Catalog Number				
8498 .22/4.8	4889 .20/4.4	-	-	-	-	-	-	-	-	4201	DP68	180	1/2	1966
9206 .28/5.5	6287 .28/5.1	-	-	-	-	-	-	-	-	4202		195	1/2	2129
9914 .35/6.3	7461 .36/5.9	-	-	-	-	-	-	-	-	4203	DP69	210	1/2	2293
10622 .43/7.1	8475 .45/6.8	-	-	-	-	-	-	-	-	4204		225	1/2	2457
11330 .52/7.9	9396 .55/7.6	4910 .40/7.4	-	-	-	-	-	-	-	4205	DP70	240	1/2	2621
12275 .66/9.0	10579 .70/8.8	7451 .62/8.6	-	-	-	-	-	-	-	4206		260	3/4	2839
12983 .78/9.8	11450 .83/9.5	8825 .78/9.2	-	-	-	-	-	-	-	4207	DP71	275	3/4	3003
13691 .92/10.5	12288 .97/10.2	10034 .94/9.9	4980 .63/9.8	-	-	-	-	-	-	4208		290	1	3167
14399 1.07/11.4	13101 1.12/11.0	11116 1.12/10.7	7740 .95/10.5	-	-	-	-	-	-	4209	DP72	305	1	3331
15343 1.29/12.7	14142 1.35/12.3	12411 1.36/11.9	9744 1.25/11.7	-	-	-	-	-	-	4210		325	1-1/2	3549
16051 1.48/13.6	14909 1.54/13.2	13323 1.56/12.9	11079 1.48/12.6	7073 1.16/12.6	-	-	-	-	-	4211	DP73	340	1-1/2	3713
16760 1.68/14.6	15670 1.75/14.3	14209 1.78/13.9	12276 1.73/13.6	9251 1.51/13.5	-	-	-	-	-	4212		355	2	3877
17468 1.91/15.7	16424 1.97/15.4	15097 2.01/15.1	13368 1.99/14.7	10756 1.81/14.6	-	-	-	-	-	4213	DP74	370	2	4040
17940 2.07/16.4	16925 2.13/16.0	15681 2.18/15.8	14051 2.17/15.5	11690 2.02/15.4	7879 1.61/15.3	-	-	-	-	4214		380	2	4150
18884 2.41/17.7	17921 2.47/17.5	16818 2.54/17.2	15321 2.54/16.9	13399 2.44/16.7	10674 2.19/16.6	-	-	-	-	4215	DP75	400	3	4368
20064 2.89/19.6	19158 2.96/19.4	18187 3.04/19.1	16827 3.05/18.9	15279 3.01/18.6	13084 2.82/18.5	10122 2.46/18.5	-	-	-	4216		425	3	4641
20536 3.10/20	19650 3.17/20	18722 3.26/19.9	17415 3.27/19.7	15970 3.25/19.4	13969 3.08/19.3	11354 2.79/19.2	-	-	-	4217	DP76	435	5	4750
21245 3.43/22	20388 3.50/21	19503 3.59/21	18303 3.62/21	16950 3.61/21	15203 3.49/21	12874 3.23/20	9401 2.69/20	-	-	4218		450	5	4914
21953 3.78/23	21123 3.85/23	20276 3.95/22	19182 4.00/22	17883 3.99/22	16350 3.91/22	14281 3.69/22	11720 3.34/22	-	-	4219	DP77	465	5	5078
22897 4.29/24	22101 4.36/24	21297 4.47/24	20323 4.53/24	19089 4.53/24	17764 4.50/24	16014 4.33/23	13804 4.04/23	10779 3.51/23	-	4220		485	5	5296
23605 4.71/26	22832 4.78/26	22057 4.88/25	21158 4.96/25	19975 4.96/25	18753 4.95/25	17204 4.82/25	15217 4.57/25	12857 4.20/25	-	4221	DP78	500	5	5460
23841 4.85/26	23076 4.92/26	22309 5.02/26	21432 5.11/26	20267 5.11/25	19070 5.11/25	17584 4.99/25	15675 4.75/25	13399 4.40/25	-	4222		505	5	5515

Power Ratings (BHP) does not include drive losses.
Performance certified is for installation type A - free inlet, free outlet.
Performance ratings include the effects of birdscreen in the airstream.
The sound ratings shown are loudness values in fan sones @ 5' (1.5m) in a hemispherical free field calculated per AMCA Standard 301. Values shown are for: Installation Type A: free inlet hemispherical sone levels



Soler & Palau USA, Div. of Soler & Palau Ventilation Group, certifies that the Models DB shown herein are licensed to bear the AMCA Seal. The ratings shown are based on test and procedures performed in accordance with AMCA Publication 211 and AMCA Publication 311 and comply with the requirement of the AMCA Certified Ratings Program.

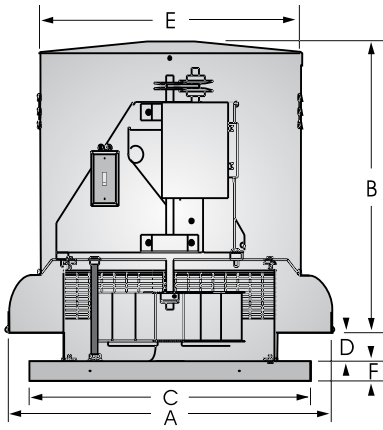




MODEL DB
BELT DRIVE CENTRIFUGAL ROOF EXHAUSTER



SIZE 48



Dimensional Data										
Damper OD	Roof Opening	Curb OD	A	B	C	D	E	F	Fan Wt	Ship Wt
48	50-1/4	53-1/4	73	40-1/2	55	113	54-5/8	2-1/2	550	830

CFM / BHP @ Static Pressure / Sones											Drive Range	RPM	HP	Tip Speed
0	1/8	1/4	3/8	1/2	5/8	3/4	7/8	1	1-1/4	Catalog Number				
9953	5916									4801	DP75	165	1/2	2037
0.34/4.5	0.29/4.5									4802		175	1/2	2161
10557	6969									4803	DP76	190	1/2	2347
0.41/5.0	0.37/5.0									4804		200	3/4	2470
11462	8336									4805	DP77	220	3/4	2655
0.52/5.9	0.49/5.7									4806		230	1	2841
12065	9166									4807	DP78	240	1	2964
0.61/6.4	0.58/6.3									4808		255	1-1/2	3149
13271	10719	6702								4809	DP79	280	1-1/2	3335
0.81/7.6	0.79/7.5	0.64/7.5								4810		290	2	3582
13875	11459	7978								4811	DP80	305	2	3705
0.93/8.2	0.91/8.1	0.78/8.0								4812		320	3	3952
14478	12182	9095								4813	DP81	325	3	4014
1.06/8.9	1.04/8.8	0.93/8.6								4814		345	3	4261
15383	13243	10571	6153							4815	DP82	365	5	4508
1.27/9.6	1.25/9.6	1.16/9.3	0.9/9.6							4816		375	5	4631
16891	14963	12732	9568							4817	DP81	395	5	4878
1.68/10.9	1.67/10.9	1.59/10.6	1.4/10.8							4818		415	5	5310
17494	15638	13535	10717	6483						4819	DP82	430	7-1/2	5434
1.87/11.4	1.85/11.4	1.78/11.1	1.62/11.2	1.27/11.8						4820		440	7-1/2	5619
18399	16641	14696	12255	8622						4821	DP81	455	7-1/2	5804
2.17/12.2	2.16/12.2	2.1/12.0	1.95/12.1	1.65/12.6						4822		470	7-1/2	5990
19304	17632	15818	13645	10639	6682									
2.51/13.1	2.5/13.1	2.44/13.0	2.32/12.9	2.06/13.4	1.66/13.7									
19605	17961	16186	14085	11250	7354									
2.63/13.4	2.62/13.4	2.56/13.4	2.44/13.3	2.21/13.7	1.8/14.1									
20812	19267	17627	15762	13440	10204									
3.14/14.9	3.14/14.9	3.09/14.9	2.98/14.7	2.79/14.8	2.44/15.3									
22018	20560	19033	17344	15351	12772	9329								
3.72/16.5	3.72/16.5	3.67/16.5	3.58/16.3	3.42/16.2	3.14/16.6	2.71/17.0								
22622	21204	19726	18109	16240	13902	10767								
4.03/17.3	4.03/17.3	3.99/17.3	3.9/17.1	3.75/16.9	3.5/17.2	3.09/17.7								
23828	22483	21094	19600	17926	15941	13412	10186							
4.72/18.9	4.72/18.9	4.68/18.9	4.6/18.8	4.46/18.6	4.25/18.6	3.92/19.0	3.43/19.3							
25034	23755	22443	21051	19525	17782	15680	12999	9847						
5.47/21	5.47/21	5.44/21	5.36/21	5.24/20	5.06/20	4.79/20	4.37/21	3.83/21						
25939	24705	23445	22117	20682	19077	17201	14891	12003						
6.08/22	6.09/22	6.06/22	5.99/22	5.88/22	5.71/21	5.47/22	5.11/22	4.6/22						
26543	25337	24108	22820	21438	19909	18154	16042	13404						
6.52/23	6.52/23	6.49/23	6.43/23	6.32/23	6.16/22	5.94/22	5.61/23	5.14/23						
27447	26282	25097	23864	22551	21121	19514	17637	15351	9773					
7.21/25	7.21/25	7.19/25	7.13/25	7.03/24	6.88/24	6.67/24	6.38/24	5.98/24	4.83/25					
28352	27224	26081	24896	23645	22297	20809	19114	17107	11869					
7.94/26	7.95/26	7.93/26	7.87/26	7.78/26	7.64/25	7.45/25	7.19/25	6.83/25	5.73/26					

Power Ratings (BHP) does not include drive losses.
 Performance certified is for installation type A - free inlet, free outlet.
 Performance ratings include the effects of birdscreen in the airstream.
 The sound ratings shown are loudness values in fan sones @ 5' (1.5m) in a hemispherical free field calculated per AMCA Standard 301. Values shown are for:
 Installation Type A: free inlet hemispherical sone levels



Soler & Palau USA, Div. of Soler & Palau Ventilation Group, certifies that the Models DB shown herein are licensed to bear the AMCA Seal. The ratings shown are based on test and procedures performed in accordance with AMCA Publication 211 and AMCA Publication 311 and comply with the requirement of the AMCA Certified Ratings Program.

