



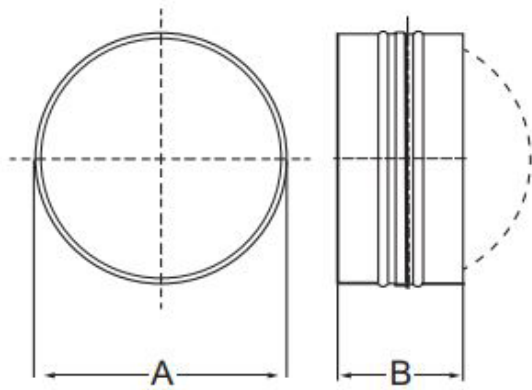
MODEL CAR

Metal Backdraft Damper

Backdraft dampers are designed with galvanized steel collars and have lightweight aluminum damper blades. They are spring loaded for positive closure.

FEATURES:

- PVC Foam Seal
- 27 Ga. Galvanized Collar
- 29 Ga. (0.011") Galvanized Aluminum Blade



DIMENSIONS IN MM/INCHES

Model	A	B	Wt (lbs)
CAR100	100 3 15/16	88 3 1/2	1
CAR125	125 4 15/16	88 3 1/2	1
CAR150	150 5 7/8	88 3 1/2	1
CAR175	175 6 7/8	88 3 1/2	1
CAR200	200 7 7/8	88 3 1/2	1
CAR250	250 9 13/16	128 5	2
CAR315	315 12 3/8	128 5	2
CAR355	355 14	128 5	2
CAR400	400 15 3/4	250 9 13/16	2