



## Features & Construction

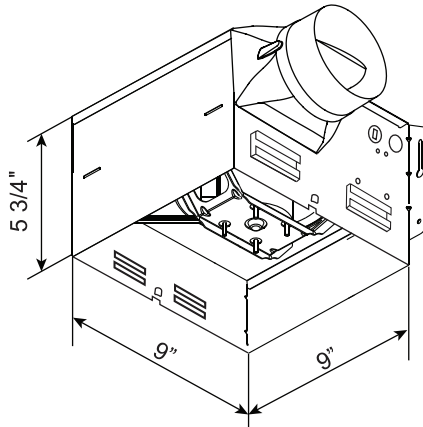
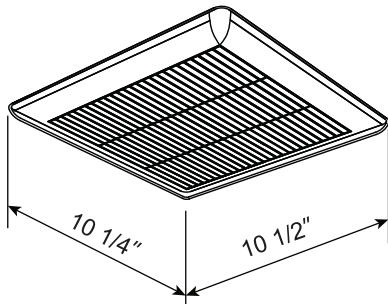
- Quiet operation 1.7 to 2.0 Sones
- 50 and 80 CFM models
- 4" duct connectors
- Built-in backdraft damper
- Robust steel housing
- Attractive, sturdy grille
- Thermally protected motor
- ETL Listed
- HVI Certified
- Model PCV80 is ENERGY STAR® qualified
- 5-year warranty

## Options & Accessories

(see page 19 for model compatibility)

- Lighted Grilles
- Humidity Sensor
- Speed Control
- Contractor Packs
- Radiation Damper

## Dimensions



## HVI Certified Performance

Model	Duct Size	CFM	Static Pressure (in W.G.)	Watts	Power (V/Hz)	Sones
PCV50*	4"	50	0.1	60	120/60	2.0
PCV80**	4"	80	0.1	24	120/60	1.7



\*PCV50 is not ENERGY STAR qualified

\*\*PCV80 is ENERGY STAR qualified

## Plug-&-Play Grille Options

### Grille Light Kit (PCVLK or PCVLEDK)

#### PCVLK

- 13 watt GU24 bulb
  - 2700K/900 lumens
- Simple plug-in receptacle in fan housing
- Can be installed with new or pre-installed fan



#### PCVLEDK

- 13 watt LED light
  - 4100K/1100 lumens
- Simple plug-in receptacle in fan housing
- Can be installed with new or pre-installed fan



## Plug-&-Play Modules

### Humidity Sensor (PCHS)

- Detects rapid rise in humidity
- Auto-shut off timer
- Accessible sensitivity adjustment
- Humidity is sensed at the ceiling
- Meets CALGreen bathroom fan requirement
- Simple plug-in receptacle in fan housing
- Can be installed with new or pre-installed fan



### Speed Control (PCSC)

- Accessible speed adjustment
- High speed override
- Allows for adjustable continuous speed to meet ASHRAE 62.2
- Simple plug-in receptacle in fan housing
- Can be installed with new or pre-installed fan



## Contractor Packs

For simple installation, the PCV50 and PCV80 are available as four packs with the fan housings ready for installation first, then after the drywall and painting are complete the motor and grilles are available to finish the job. The housing kit includes the housing and hanger bars. The motor and grille kit includes the motor plate, motor, wheel and standard grille.

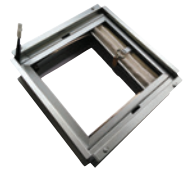
Part #	Description (Packs of 4)
PCV50H	PCV50 Contractor Pack Housings
PCV50F	PCV50 Contractor Pack Motor and Grille
PCV80H	PCV80 Contractor Pack Housings
PCV80F	PCV80 Contractor Pack Motor and Grille

## Radiation Damper

(see page 26 for more information)

### Radiation Damper (PCVRD)

- For use in 1, 2 and 3-hour rated floor-ceiling and roof-ceiling constructions
- ETL Listed (UL555C standard)
- Ceramic fiber with fiberglass cover
- Roll-formed frame 22 ga. galvanized steel



## PC Value Series Fan & Accessory Compatibility

The chart below indicate which plug-&-play or other PC accessories are compatible with each PC Value Model.

Option	PC Value Model	
	PCV50	PCV80
PCVLK	✓	✓
PCVLEDK	✓	✓
PCHS	✓	✓
PCSC	-	✓
PCVRD	✓	✓

The chart below indicates which plug-&-play or other PC accessories can be used together.

	Std. Grille	PCVLK	PCVLEDK	PCHS	PCSC	PCVRD
Std. Grille	-	-	-	✓	✓	✓
PCVLK	-	-	-	✓	✓	✓
PCVLEDK	-	-	-	✓	✓	✓
PCHS	✓	✓	✓	-	-	✓
PCSC	✓	✓	✓	-	-	✓
PCVRD	✓	✓	✓	✓	✓	-