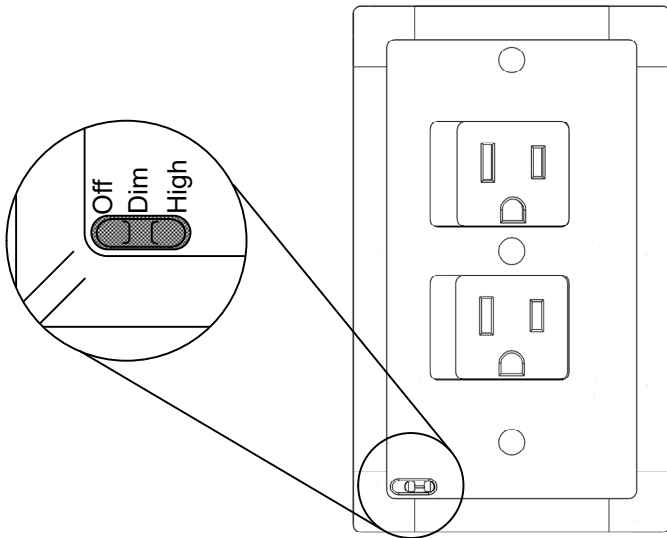


## Description

The SafeLight is an outlet cover plate with integrated LED illumination that is specifically designed to be used with standard duplex and decor outlets. The SafeLight can be quickly installed over existing outlets by replacing the existing cover plate with the SafeLight. No modification to the wiring of the existing outlet is necessary. The SafeLight does not affect the outlet operation.



## Features

- Quick Installation without wires or batteries, electrical contacts extending from the SafeLight extract power from screw terminals on the outlet body
- A single style fits over all duplex and décor standard outlets and is available in white.
- A mechanical switch in the bottom left corner provides bright, dim, and off settings
- 4000K LED illuminated bar provides a uniform sheet of light
- Light sensor automatically turns the LEDs on to the selected light level when the room is dark
- Low power consumption provides extremely cost effective illumination

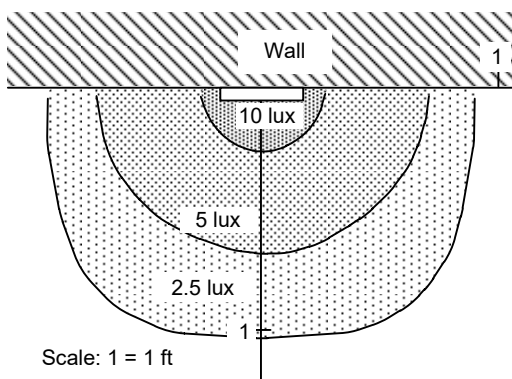
## Optical Parameters

Parameter	Min.	Typ.	Max.	Units
Turn On Threshold (Incandescent Bulb)	1	3	5	lux at light sensor
Brightness (DIM)	5	7	8	lux at 3" below light bar
Brightness (BRIGHT)	20	23	26	lux at 3" below light bar
Lumens on Bright (BRIGHT)		1.25		lumens

## Electrical Parameters

Parameter	Min.	Typ.	Max.	Units
Input Voltage (AC Volts)	30	120	277	AC Volts
Power draw in DIM position		.0036		watts
Power draw in BRIGHT position		.024		watts
Power consumption, DIM		.04		kW hr/year (\$.004)
Power consumption, Bright		.20		kW hr/year (\$.02)

## Photometric Profile



Scale: 1 = 1 ft

Measured 18" below bottom of SafeLight on bright setting

## 4000K LED

