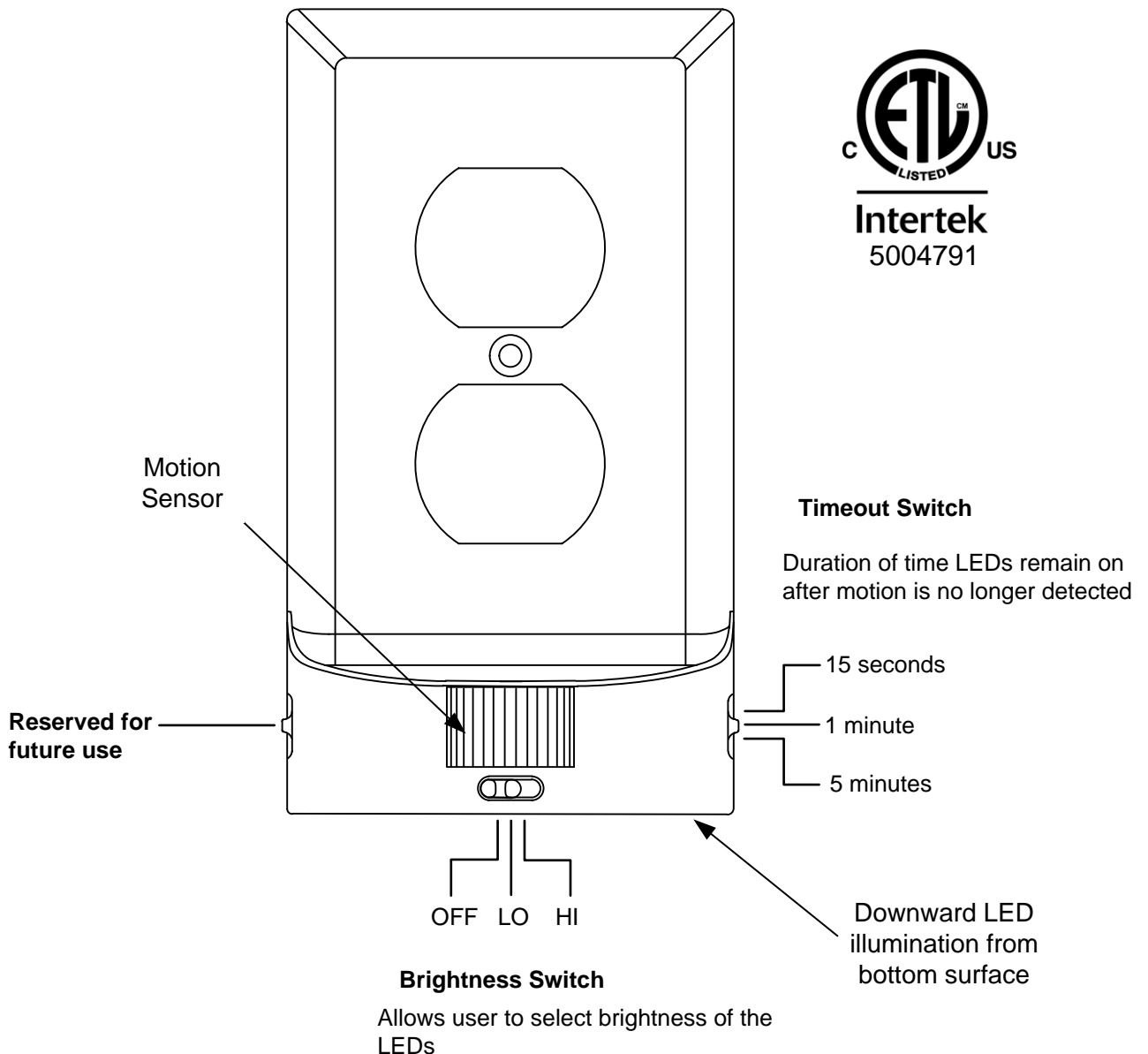


Description

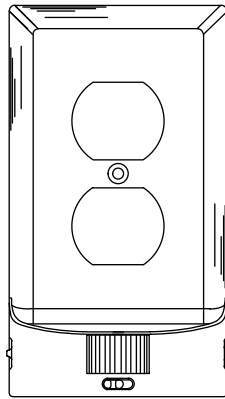
The MotionLight is an outlet cover plate with integrated LED illumination and motion sensing. The MotionLight can be quickly installed over existing outlets by replacing the existing cover plate with the MotionLight. No modification to the wiring of the existing outlet is necessary.

Features

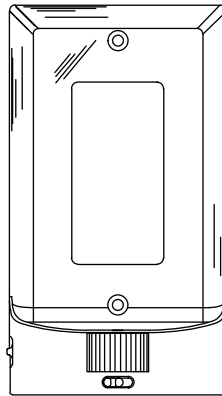
- Quick Installation: Prongs extending from the back of the MotionLight extract power from screw terminals on the sides of the outlet
- Motion Sensor: Activates LEDs whenever motion is detected
- Brightness Switch: Provides bright, dim, and off settings
- Timeout Switch: Allows the user to select how long the LEDs remain on after motion stops being detected (15 seconds, 1 minute, or 5 minutes)
- Light Bar: Provides a uniform sheet of softly diffused light
- Light Sensor: Automatically turns the LEDs off whenever the room is bright
- Three Styles: Accommodates duplex, décor, and GFCI outlet types
- Four Colors: Available in white, light almond, ivory, and black



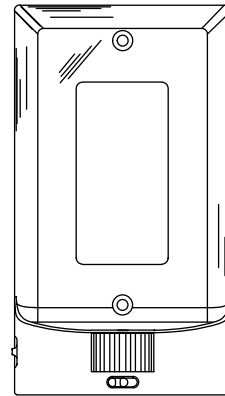
Exterior Design Profiles



Duplex



Décor

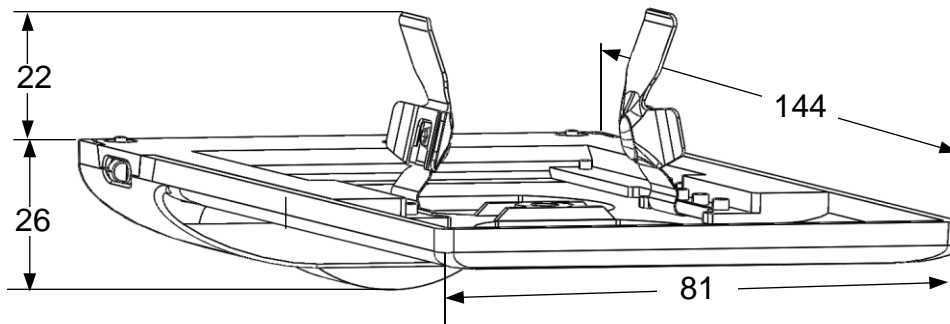


GFCI

Mechanical/Material Parameters

Parameter		Value
Faceplate Height x Width x Thickness		144 x 81 x 26 mm
Envelope Height x Width x Thickness		144 x 81 x 48 mm
Weight (duplex)		48 grams
Materials	Face plate	ABS
	Back plate	ABS
	Switch cover/lens	PC
	Light pipe	PC
	Prong Hood/Ramps	Nylon
	Contacts/prong flexures	BeCu
	Circuit board/components	RoHS

Dimensions in millimeters



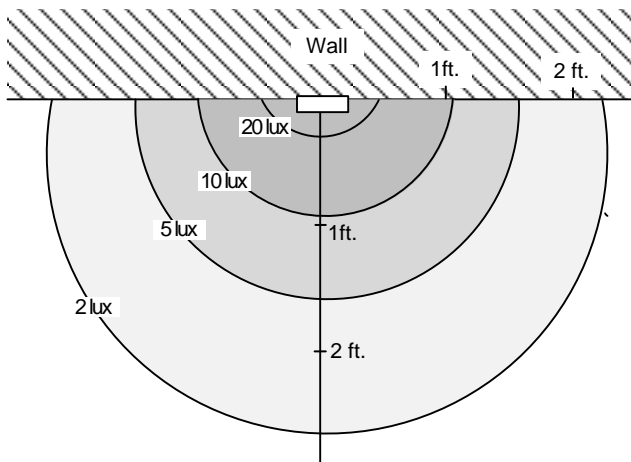
Electrical Parameters

Brightness Setting	Current (amps)	Volts	Watts	Power Consumption
BRIGHT	.08	5	.4	The unit consumes between \$0.20-0.30 of power a year, depending on settings, usage, and local power rates.
DIM	.07	5	.35	
OFF	.06	5	.3	
Input Voltage (AC Volts)		Minimum: 30 volts	Rated for: 120 volts	Maximum: 277 volts

Optical Parameters

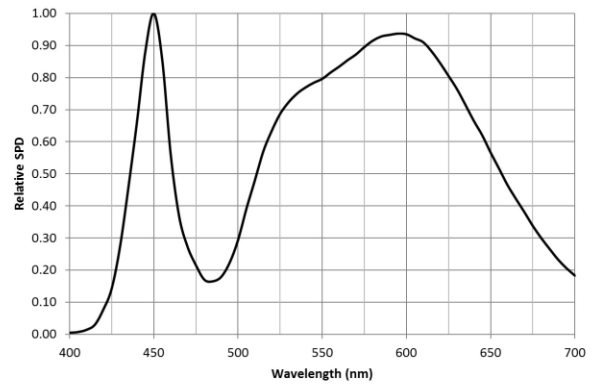
Parameter	Min.	Typ.	Max.	Units
Turn On Threshold	1	1.9	2.75	lux at light sensor
LED Brightness (DIM)	2	3	4	lux at 15" below light bar
LED Brightness (BRIGHT)	18	20	22	lux at 15" below light bar
Lumens (BRIGHT)	5	6	7	lumens

Photometric Profile

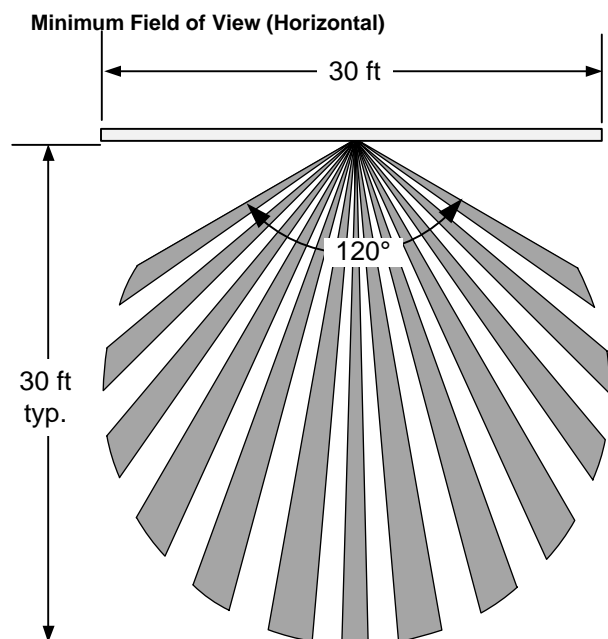


Measured 15" below bottom of ConnectLight on bright setting

4000K LED Spectrum



Motion Detecting Range Profile



Side (Vertical) Field of View, not to scale

