

# Table of Contents

1 Installation	14
1.1 Dimension Requirements	14
1.2 Product dimensions	14
1.3 Unpacking, moving and positioning the range	15
1.4 Wall attachment and anti-tip device	17
1.5 Electrical connection	20
1.6 Gas supply requirements	22
1.7 List of component	24
1.8 Replacing cooktop burners nozzles:	25
2 Burner and nozzle characteristics tables	27
2.1 For the installer	30

**WARNING:** If the instructions in this manual is not followed exactly, a fire or explosion may result causing property damage, personal injury or death.

- Do not store or use gasoline or other flammable vapors or liquids in the vicinity of this or any other appliance.
- WHAT TO DO IF YOU SMELL GAS
  - Do not try to light any appliance.
  - Do not touch any electrical switch.
  - Do not use any phone in your building.
  - Immediately call your gas supplier from a neighbor's phone. Follow the gas supplier's instructions.
  - If you cannot reach your gas supplier, call the fire department.
- Installation and service must be performed by a qualified installer, service agency or gas supplier.



**NOTE:** This appliance must be installed solely and exclusively by a qualified technician. Any technical procedures must be carried out by an authorized technician.



## Important Safety Instructions



**READ AND SAVE THESE INSTRUCTIONS** - Your safety and the safety of others are very important.

We have provided many important safety messages throughout this manual and on the appliance.

Read all the instructions before using the appliance and always obey all safety messages.



### RECOGNIZE SAFETY INFORMATION

This is a safety alert symbol. This symbol alerts you to potential hazards that can result in severe personal injury or loss of life.

### UNDERSTAND SIGNAL WORDS

A signal word - DANGER, WARNING or CAUTION - is used with the safety alert symbol. DANGER denotes the most serious hazards. It means you could lose your life or be seriously injured if you do not immediately follow the instructions. WARNING means you could lose your life or be seriously injured if the instructions are not followed. CAUTION indicates a potentially hazardous situation which, if not avoided, could result in minor to moderate injury.

### WARNING



- This appliance is intended for use in the home only.
- Use this appliance only for its intended purpose. The manufacturer cannot be held liable for damage caused by improper use of this range.
- This appliance complies with current safety regulations. Improper use of this range can result in personal injury and material damage.
- Read all the instructions before installing or using the range for the first time.
- Keep these operating instructions in a safe place and pass them on to any future user.

The safety messages will inform you of potential hazards, on how to avoid the risk of injury and what can occur if the instructions are not followed.

# Important Safety Instructions



**IMPORTANT:** Installation, gas connections and grounding must conform to applicable codes. Observe all codes and ordinances in force.



**NOTE:** This range is manufactured for use with natural gas. To convert the appliance to LP/Propane gas, see the instructions in the Gas Conversion Kit provided in the literature package.

The proper gas supply connection must be available. See “Gas supply requirements”.

In the State of Massachusetts, the following installation instructions apply:

- Installation and repairs must be performed by a Massachusetts qualified or licensed contractor, plumber, or gas fitter.
- If using a ball valve, it shall be the T-handle type.
- A flexible gas connector, when used, must not exceed 3 feet.

**WARNING:** For your safety, the instructions contained in this manual must be followed to minimize the risk of fire or explosion and to prevent property damage, personal injury or loss of life.

Do not store or use gasoline or other flammable vapors, liquids or materials near this or any other appliance.



**NOTE:** This range is NOT designed for installation in manufactured (mobile) homes or in recreational vehicles (RVs).

**DO NOT install this range outdoors.**

## WARNING



To reduce the risk of fire, electrical shock, personal injury, or damage when using the range, follow basic safety precautions, including the following:



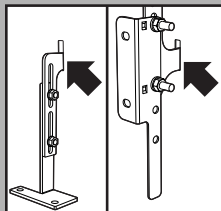
## Important Safety Instructions

### WARNING



#### PRIMARY FASTENING SYSTEM:

Visually check that the wall-mounted brackets are inserted into the appropriate lateral hooks (on both sides).



#### SECONDARY FASTENING SYSTEM:

Visually check from the inside of the drawer that the floor-mounted bracket is inserted into the appropriate lateral hooks (left or right).

### Important Notes to the Installer

- Read all instructions contained in these installation instructions before installing the range.
- Remove all packing material from the oven and the drawer compartments before connecting the electrical and gas supplies to the range.
- Observe all governing codes and ordinances. Be sure to leave these instructions with the consumer.

### Important Note to the Customer

- Keep these instructions with your owner's guide for future reference.

### Definitions

- This manual contains

important safety symbols and instructions. Please pay attention to these symbols and follow all instructions given.



### WARNING

This symbol will help alert you to situations that may cause serious bodily harm, death or property damage.



### CAUTION

This symbol will help alert you to situations that may cause injury or property damage.

# Important Safety Instructions



## TIP OVER HAZARD



WARNING: Tip Over

- A child or adult could tip the range over and be killed.
- Install the anti-tip device on the floor or wall as per the installation instructions.
- Engage the range with the anti-tip device as per the installation instructions.
- Ensure the anti-tip device is re-engaged when the range is moved.
- Do not operate the range without the anti-tip device in place and engaged.
- See installation instructions for details.
- Failure to follow these instructions can result in death or serious burns to children and adults.
- Check for proper installation and use of the anti-tip bracket. Carefully tip the range forward by pulling it from the back to ensure that the anti-tip bracket engages the range leg and prevents tip-over. The



range should not move more than 1" (2.5cm).

To check if the anti-tip bracket is installed properly, use both arms and grasp the back edge of the range. Carefully attempt to tilt the range forward. When properly installed, the range should not tilt forward.



Refer to the anti-tip bracket installation instructions supplied with your range for proper installation.

## Appliance Handling Safety

Hidden surfaces may have sharp edges. Use caution when reaching behind or under the appliance.

- Wear gloves to avoid cutting fingers on sharp edges during installation.
- The unit is heavy and requires at least two persons or proper equipment to move it.
- Do not lift appliance by the oven door handle. Remove the oven door for easier handling and installation.
- Do not use the oven for storage.

## Safety Codes and Standards



## Important Safety Instructions

This appliance complies with one or more of the following Standards:

**ANSI Z21.1/CSA 1.1**

**Household Cooking Gas Appliances.**

**UL 858 - The Standard for the safety of Household Electric Ranges.**

**CAN/CSA-C22.2 No. 61 Household Cooking Ranges.**

- It is the responsibility of the owner and the installer to determine whether additional requirements and/or standards apply to specific installations.
- Installation must conform with local codes or, in the absence of local codes, with the National Fuel Gas Code, ANSI Z223.1/NFPA 54 or, in Canada, the Natural Gas and Propane Installation Code, CSA B149.1.
- The appliance must be electrically grounded in accordance with local codes or, in the absence of local codes, with the National Electrical Code, NFPA 70 latest edition or, in Canada, the Canadian Electric Code, CSA C22.1-02.
- Before installing the range

in an area covered with linoleum or any other synthetic floor covering, make sure the floor covering can withstand heat at least 90°F above room temperature without shrinking, warping or discoloring. Do not install the range over carpeting unless you place an insulating pad or sheet of ¼" (10,16cm) thick plywood between the range and carpeting.

- Be sure your range is installed and grounded properly by a qualified installer or service technician.
- Make sure the wall coverings around the range can withstand the heat generated by the range.



### WARNING

Never leave children alone or unattended in the area where an appliance is in use. As children grow, teach them the proper, safe use of all appliances. Never leave the oven door open when the range is unattended.

# Important Safety Instructions



## CAUTION

Stepping, leaning or sitting on the doors or drawers of this range can result in serious injuries and can also cause damage to the range.

- Do not store items of interest to children in the cabinets above the range. Children could be seriously burned if they climb on the range to reach items.
- To eliminate the need to reach over the surface burners, cabinet storage space above the burners should be avoided.
- Do not use the oven as a storage space. This creates a potentially hazardous situation.
- Do not store or use gasoline or other flammable vapors and liquids near this or any other appliance. Explosions or fires could result.
- Adjust the size of the surface burner flame so it does not extend beyond the edge of the cooking utensil. An excessive flame is hazardous.
- Never use your range for warming or heating the room. Prolonged use of the range without adequate

ventilation can be dangerous.

- In the event of an electrical power outage, the surface burners can be lit manually. To light a surface burner, hold a lit match to the burner head and slowly turn the Surface Control knob to LITE. Use caution when lighting surface burners manually.
- Unlike the standard gas range, **THIS COOKTOP IS NOT REMOVABLE**. Do not attempt to remove the cooktop.



## WARNING

Do not repair, replace or remove any part of the appliance unless specifically recommended in the manuals. Improper installation, service or maintenance can cause injury or property damage. Refer to this manual for guidance. All other servicing should be done by an authorized service provider.

## Electric Safety



## WARNING

Before you plug the electrical cord into an outlet, make sure that all the appliance controls are in the OFF position.



## Important Safety Instructions

- Personal injury or death from electrical shock may occur if the appliance is not installed by a qualified installer or electrician.
- Make sure your appliance is properly installed and grounded by a qualified electrician. Installation, electrical connections and grounding must comply with all applicable codes.
- Before installing, turn power OFF at the service panel. Lock service panel to prevent power from being turned ON accidentally.
- For appliances equipped with a cord and plug, do not cut or remove the ground prong. It must be plugged into a matching grounding type receptacle to avoid electrical shock. If there is any doubt as to whether the wall receptacle is properly grounded, the customer should have it checked by a qualified electrician.
- Do not use an extension cord.
- Do not use an adapter.
- If required by the National Electrical Code (or Canadian Electrical Code), this appliance must be installed on a separate branch circuit.
- The circuit breaker should have a contact separation of at least 3 mm on all poles.
- INSTALLER – show the owner the location of the circuit breaker or fuse. Mark it for easy reference.
- Refer to rating label for more information.

### Gas safety



#### WARNING

Burning gas cooking fuel generates some by-products which are on the list of substances which are known by the State of California to cause cancer or reproductive harm. To minimize exposure to these substances, always operate this unit according to the instructions contained in this booklet and provide good ventilation.

- Install a gas shutoff valve near the appliance. It must be easily accessible in an emergency.
- Leak testing must be conducted by the installer according to the instructions in this manual.
- The appliance and its individual shutoff valve must be disconnected from the gas supply piping system during any pressure

# Important Safety Instructions



EN

testing at pressures in excess of ½ psi (3.5 kPa).

- The appliance must be isolated from the gas supply piping system by turning off its individual manual shutoff valve during pressure testing of the gas supply piping system at test pressures equal to or less than ½ psi (3.5 kPa).
- The minimum supply pressure must be 1" water column above the manifold pressure printed on the rating label. The maximum supply pressure of 14.0 inches water column (34.9 Millibars) must not exceed.
- **IMPORTANT SAFETY NOTICE** Burning gas cooking fuel generates some by products which are on the list of substances which are known by the State of California to cause cancer or reproductive harm. To minimize exposure to these substances, always operate this unit according to the instructions contained in this booklet and provide good ventilation.

This product may contain a chemical known to the State of California, which can cause cancer or reproductive harm. Therefore, the packaging of your product may bear the following label as required by California:

## State of California Proposition 65



### WARNING

Cancer or Reproductive Harm - [www.P65Warnings.ca.gov](http://www.P65Warnings.ca.gov)

## Propane Gas Installation

- The propane gas tank must be equipped with its own high pressure regulator. In addition, the regulator supplied with this unit must also be used.
- The appliance is shipped from the factory for use with natural gas. It must be converted for use with propane. The conversion must be done by a qualified technician or installer.
- This appliance can operate up to an altitude of 10,000 ft. (3048 m.) elevation above sea level. For use with propane gas, the appliance must be converted in accordance with the propane conversion instructions.

Proposition 65 Warning:

For installations in Massachusetts



## Important Safety Instructions

- Installation must be performed by a qualified or licensed contractor, plumber or gas fitter qualified or licensed by the state, province or region where this appliance is being installed.
- Shut-off valve must be a “T” handle gas cock.
- Flexible gas connector must not be longer than 36 inches.
- Installer - show the owner where the gas shut-off valve is located.
- not remove leveling legs, panels, wire covers or anti-tip brackets/screws.
- To eliminate the risk of burns or fire by reaching over hot surface units, cabinet storage space located above the surface units should be avoided. If cabinet storage is to be provided, the risk can be reduced by installing a hood that projects horizontally a minimum of 5 inches (127 mm) beyond the bottom of the cabinet. Be sure cabinets above the cooktop are a maximum of 13" (330 mm) deep.

### Related Equipment Safety

- The appliance should only be used if installed by a qualified technician in accordance with these installation instructions and all applicable regulations and codes. The manufacturer is not responsible for damages resulting from incorrect installation.
- Remove all tape and packaging before using the appliance. Dispose of the packaging after unpacking the appliance. Never allow children to play with packaging material.
- Never modify or alter the construction of the appliance. For example, do
- When installing a cooktop over a single oven, be sure to follow both the oven and cooktop installation manuals.

### Ventilation Recommendations

- Do not obstruct air vents or heat vent openings.
- We strongly recommend the installation of a ventilation hood above this appliance. The hood must be installed according to the instructions provided with the hood.
- Do not obstruct the flow of combustion air at the oven vent nor around the base or

# Important Safety Instructions



EN

beneath the lower front panel of the range. Avoid touching the vent openings or nearby surfaces as they may become hot while the oven is in operation. This range requires fresh air for proper burner combustion.

- Air curtains or other overhead range hoods, which operate by blowing air downwards onto a range, shall not be used in conjunction with gas ranges other than when the hood and range have been designed, tested and listed by an independent test laboratory for use in combination with each other.



## CAUTION

The appliance should not be installed with a ventilation system that blows air downward toward the burners. This type of ventilation system may cause ignition and combustion problems with the gas cooking appliance and may result in personal injury or unintended operation.

## High altitude installation

- This appliance can operate up to an altitude of 10,000 ft. (3048 m.) elevation above sea level. If desired, for altitudes above 2,000 ft (610 m) elevation above sea level, adjustments may be made.
- Burners should be checked at the lowest setting, if the flame is not stable, the simmer should be increased until the flame is stable. This can be done by adjusting the bypass screw in the valve. If flame performance is satisfactory, adjustment will not be required.
- It is required that a Certified Professional make the high altitude adjustments during installation.
- **Improper installation is not covered by the warranty.**



## WARNING

If the information in this manual is not followed exactly, fire or shock may result causing property damage or personal injury.

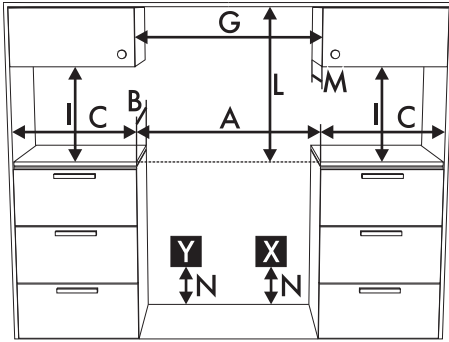
# SAVE THESE INSTRUCTIONS



# Installation

## 1 Installation

### 1.1 Dimension Requirements



A	1220 mm	48 1/16"
B	636 mm	25"
C <sup>1</sup>	216 mm	8 1/2"
G <sup>2</sup>	1220 mm	48 1/16"
I <sup>3</sup>	457 mm	18"
L <sup>4</sup>	610 mm	24"
M <sup>5</sup>	330 mm	13"
N	178 mm	7"

1. min. clearance from the sides of range to side wall or other combustible material;
2. min. cabinet opening width;
3. upper cabinet to countertop;
4. min. when bottom of wood or metal cabinet is protected by not less than 1/4" (0.64 cm) flame retardant millboard covered with not less than No. 28 MSG sheet steel, 0.015" (0.4 mm) stainless

steel, 0.024" (0.6 mm) aluminum or 0.020" (0.5 mm) copper. 35" (889 mm) min. clearance between the top of the cooking surface and the bottom of an unprotected wood or metal cabinet.

5. max. upper cabinet depth.

#### Y - Grounded outlet

Position within 11 7/8" (300 mm) from the left rear corner of the range.

#### X - Gas supply line

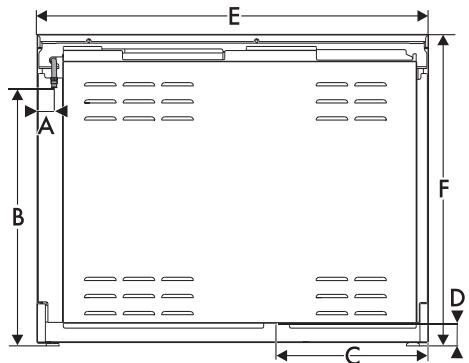
Position within 11 7/8" (300 mm) from the right rear corner of the range.



**NOTE:** Install with zero clearance sides and back.

### 1.2 Product dimensions

Overall dimensions: Location of gas and electrical connection points.





A	53 mm	2 1/16"
B (max)	790 mm	31 2/16"
B (min)	760 mm	29 15/16"
C	472 mm	18 9/16"
D	57 mm	2 4/16"
E	1217 mm	47 15/16"
F (max)	942 mm	37 1/16"
F (min)	912 mm	35 14/16"

Check the location where the range is to be installed. The range should be positioned for convenient access in the kitchen.



**NOTE:** Observe all governing codes and ordinances.

Any openings in the wall or floor where the range is to be installed must be sealed. Some cabinet and building materials are not designed to withstand the heat that the oven produces during baking. Check with your builder or cabinet supplier to make sure that the materials used will not discolor, delaminate or sustain other damage.

The cabinet opening dimensions that are shown must be used. The indicated dimensions are the minimum clearances.

When installing a range under existing cabinets that do not satisfy

the minimum cabinet clearances, install a rangehood over the cooking surface to avoid burn hazards.

An air curtain or other overhead range hood, which operates by blowing a downward airflow onto a range, shall not be used in conjunction with the gas range unless the hood and range have been designed, tested in accordance with ANSI Z21.1 and listed by an independent testing laboratory for combination use. This type of ventilation system may cause ignition and combustion problems with the gas cooking appliance resulting in personal injury or unintended operation.

### 1.3 Unpacking, moving and positioning the range



**CAUTION:** This unit is designed as a cooking appliance. For safety purposes, never use it for warming the room or as a space heater.

- It is recommended that the grates, the griddle plate and burner heads, burner caps, front kick panel and oven racks be removed to facilitate handling. This will reduce the weight for moving.
- When positioning the appliance during installation, do not use the door handle to lift up or move this appliance.
- Remove the outer carton and packing material from the



# Installation

shipping base.

- Remove angle-mounting brackets from the range.
- Due to the weight, a dolly/fork lift with soft rubber tread wheels should be used to move this unit. The weight must be supported uniformly across the bottom.
- The floor under the legs should be protected (wood, strips, carpet, paneling, etc.) before pushing the unit into position.
- The anti-tip device must be installed, and the gas and electrical connections should be made before the range is placed in its final position.
- Ensure that the burner caps are correctly positioned on the burner bases on the rangetop.
- Legs should be installed near to where the appliance will be used as they are not secure for long transit. Keep the unit raised so the legs can be screwed into their couplings, then lower the range gently to prevent the legs and mounting hardware from being subject to any undue strain. Instead of tilting the unit, it is recommended that a pallet or lift jack be used.



## 1.4 Wall attachment and anti-tip device



### Warning

Electrical shock hazard

- Use extreme caution when drilling holes into the wall or floor. There may be concealed electrical wiring located behind the wall or under the floor.
- Identify the location of the electrical circuits that could be affected by the installation of the anti-tip device, then turn off power to these circuits.
- Failure to follow these instructions may result in electrical shock or other personal injury.



### CAUTION

- Contact a qualified installer or contractor to determine the proper method for drilling holes through the wall or floor material (such as ceramic tile, hardwood, etc.)
- Failure to follow these instructions may result in damage to wall or floor coverings.

### WARNING



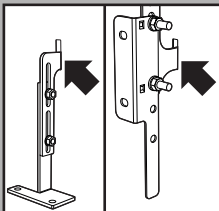
To reduce the risk of fire, electrical shock, personal injury, or damage when using the range, follow basic safety precautions, including the following:

### WARNING



#### PRIMARY FASTENING SYSTEM:

Visually check that the wall-mounted brackets are inserted into the appropriate lateral hooks (on both sides).



#### SECONDARY FASTENING SYSTEM:

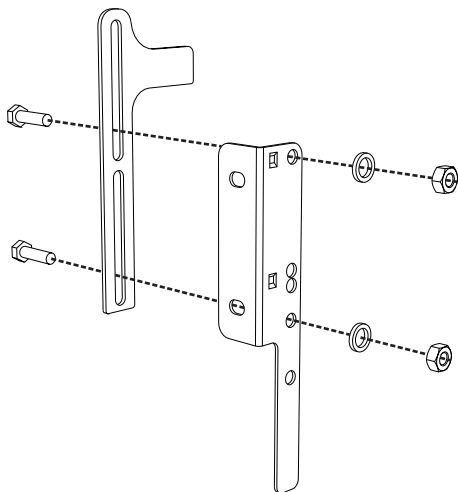
Visually check from the inside of the drawer that the floor-mounted bracket is inserted into the appropriate lateral hooks (left or right).

Instructions for wall mounting  
(primary system)

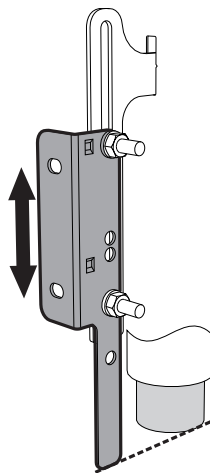


# Installation

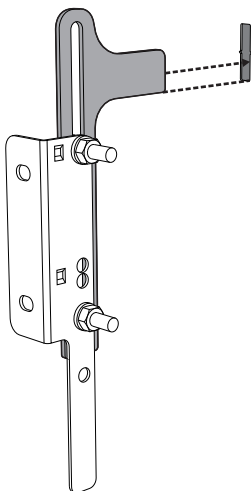
1. Assemble the fastening bracket.



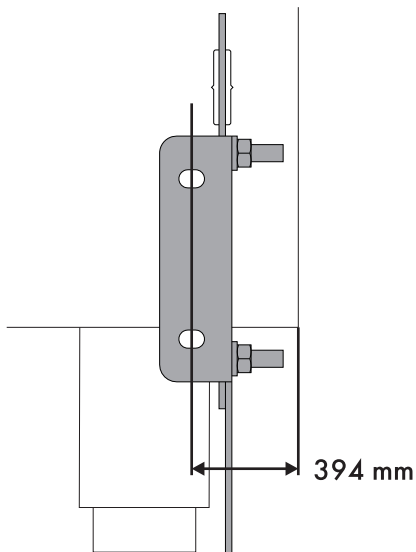
tighten the screws to fix the measurements.



2. Align the base of the hook on the fastening bracket with the base of the slot on the wall fastening plate.



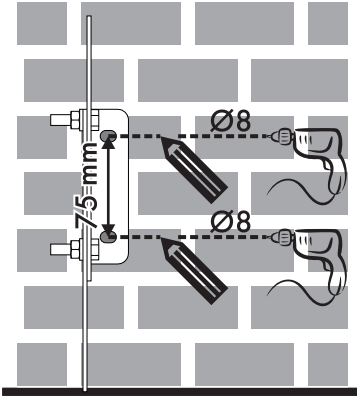
4. Use 50 mm for the distance from the side of the appliance to the bracket holes.



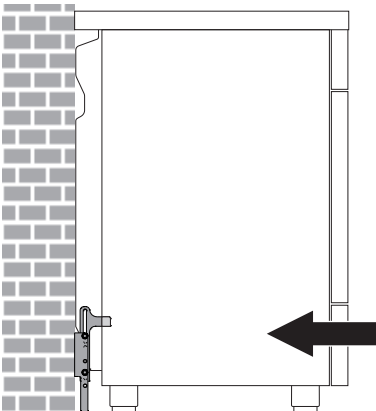
3. Align the base of the fastening bracket with the ground and



5. Move the bracket onto the wall and mark the position of the holes to be drilled in the wall.



6. After drilling the holes in the wall, use wall plugs and screws to fasten the bracket to the wall.
7. Push the cooker towards the wall, and at the same time, insert the bracket in the plate fastened to the rear of the appliance.



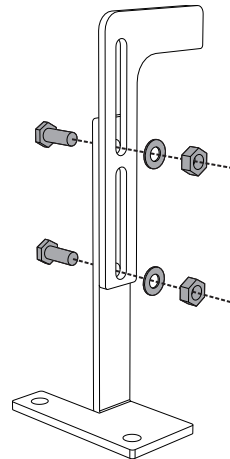
## Instructions for floor mounting (secondary system)

The secondary anti-tip device is to be attached to the floor when it is not possible to install the primary system. After having positioned and leveled the appliance the bracket has to be anchored to the floor and engaged in the slots at the rear of the appliance.



**NOTE:** According to the type of floor, the installer should supply the suitable fastening systems (Type of screw recommended  $\frac{3}{8}$ ").

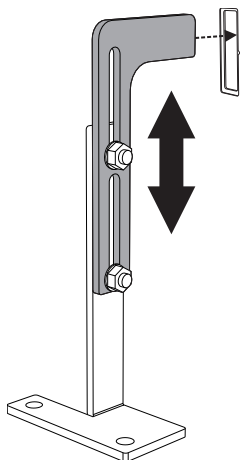
1. Assemble the fastening bracket as shown in the figure. Join the two parts without tightening them too much since there will be other adjustments to make.



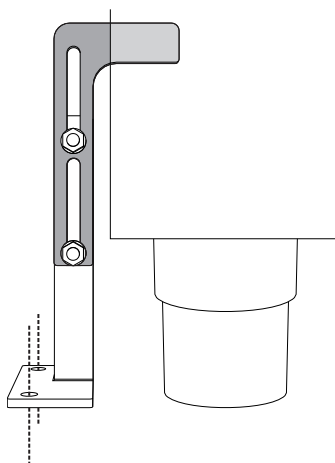


# Installation

- The bracket attachment should insert into one of the central slots at the rear.

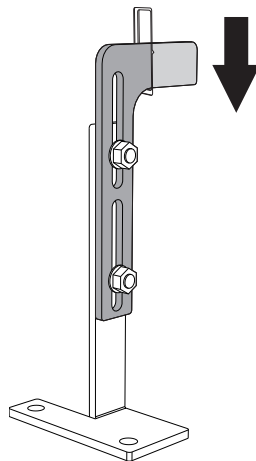


- After having positioned and leveled the appliance, move the bracket close to the rear of the appliance and anchor it to the floor.



- Lower the bracket attachment until anchoring the appliance slot,

tighten the nuts previously assembled. The anti-tip device works properly only if the bracket attachment is securely anchored to the appliance.



## 1.5 Electrical connection



### WARNING

#### Electrical shock hazard



- This appliance is equipped with a four-prong grounding plug for your protection against electric shock and should be plugged directly into a properly grounded receptacle. Do not cut or remove the grounding prong from this plug.
- Failure to do any of the above could result in a fire, personal injury or electrical shock.

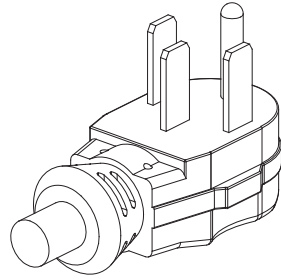


## WARNING

### Electrical shock hazard

- Disconnect the electrical supply before servicing the appliance
- It is the personal responsibility of the consumer to have the appropriate outlet or junction box with the correct, properly grounded wall receptacle installed by a qualified electrician. It is the responsibility and obligation of the consumer to contact a qualified installer to ensure that the electrical installation is suitable and in conformance with all local codes and ordinances.

have one installed by a qualified electrician.



Make sure that the power line rating matches the specifications indicated on the ID plate. The ID Plates are visibly located on the back of the appliance and on the oven door frame.

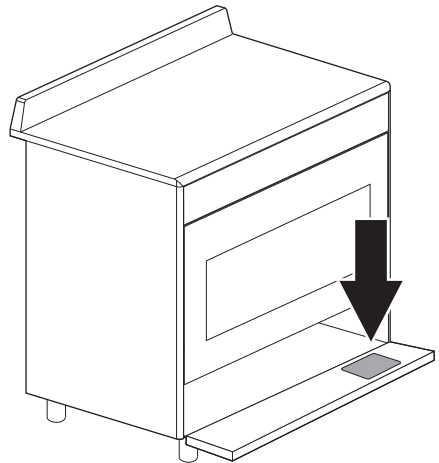
**These ID plates must never be removed.**



## CAUTION

**Do not use multiple outlets, extension cords or adapters.**

This range is equipped with a factory-connected power cord. The cord must be connected to a grounded 120/240 volt or 120/208 volt outlet. If no outlet is available,





# Installation

## 1.6 Gas supply requirements



### Warning Explosion hazard

- Use a new AGA or CSA-approved gas supply line.
- Install a shut-off valve.
- Securely tighten all gas connections.
- If connected to LP, have a qualified technician ensure that the gas pressure does not exceed a 14" W.C.P.
- Examples of qualified technicians include licensed heating personnel, authorized gas company personnel, and authorized service personnel.
- Failure to do so can result in loss of life, explosion, or fire.



### NOTE:

- Observe all codes and ordinances in force.
- The range must be connected to a standard gas supply.

This installation must conform with all local codes and ordinances. In the absence of local codes, installation must conform to American National Fuel Gas Code, ANSI Z223.1/NFPA 54 or, in Canada, the Natural Gas and Propane Installation Code, CSA B149.1.

If local codes permit, a flexible metal appliance conductor with the new AGA or CSA design certified, 4-5 feet (1.2-1.5 m) long,  $\frac{1}{2}$ " or  $\frac{3}{4}$ " ID NPT, is recommended for connecting this range to the gas supply line.

Do not bend or damage the flexible connector when moving the range. The pressure regulator has  $\frac{3}{8}$ " female pipe threads. You will need to determine the fittings required, depending on the dimension of your gas supply line, the flexible metal connector and the shut-off valve.

The appliance should be installed in rooms that have a permanent air supply in accordance with the standards in force. The room where the appliance is installed must have enough air flow for the regular combustion of gas and the necessary air change in the room itself. The air vents, protected by grilles, must be the right size to comply with current regulations and positioned so that no part of them is obstructed, not even partially.

The room must be kept adequately ventilated in order to eliminate the heat and humidity produced by cooking: in particular, after prolonged use, you are recommended to open a window or to increase the speed of any fans.

### Gas connection

Connect the adapter C (ISO 228/1 -  $\frac{1}{2}$  NPT) to the gas inlet of the



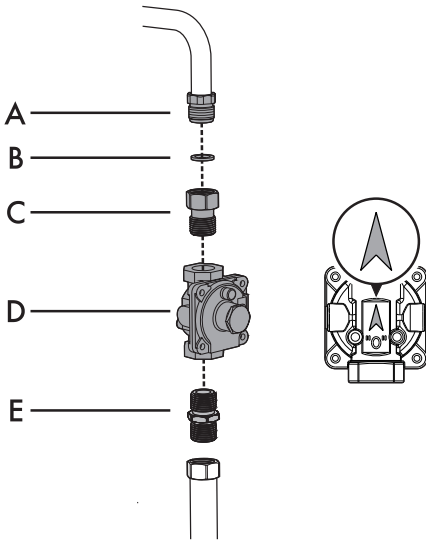
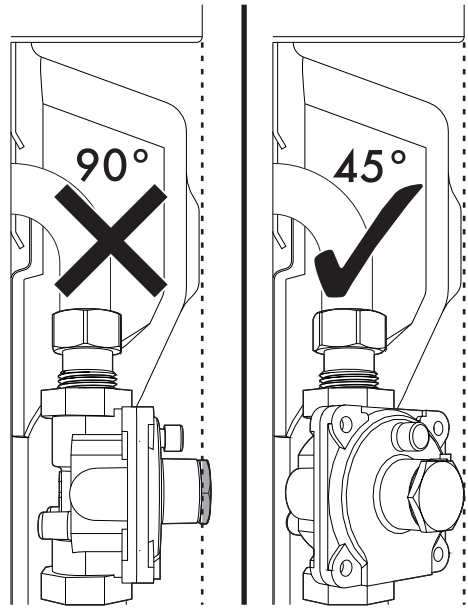
appliance **A** being sure to insert the supplied gasket **B**.

Apply a suitable sealing substance (such as Teflon tape) between pressure regulator **D** and adapter **C**. Connect the pressure regulator **D** to the adapter **C** put on in the previous step (the arrow on the back of the regulator points towards the gas inlet of the appliance).

Apply a suitable sealing substance (such as Teflon tape) between pressure regulator **D** and adapter **E** (½ NPT - ½ NPT) (not supplied).

Connect the adapter **E** to the pressure regulator **D**.

sloped at 45° vs the wall at the back of the appliance.



## Test the appliance

Follow these instructions to leak test the appliance:

Use a brush and liquid detergent to test all gas connections for leaks. Bubbles around connections indicate a leak. If a leak appears, shut off the gas valve controls and adjust the connections. Then check the connections again. Remove all the detergent product from the range. Replace the parts on the burner and turn the knobs on the gas tap valves.

**NEVER TEST FOR GAS LEAKS WITH A MATCH OR OTHER FLAMES.**

## Shut-off valve



**WARNING:** The tightening torque of adapter (C / E) must not be greater than 36 ozf - 10 Nm.

Due to problems of overall dimensions at the back, screw in the pressure regulator so that it is

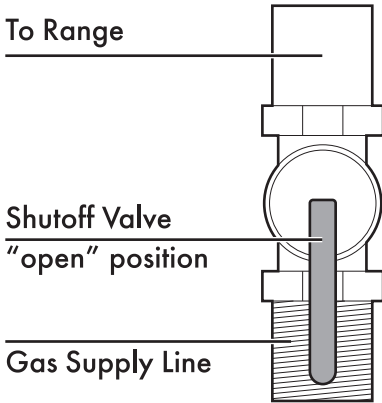


# Installation

The supply line must be fitted with an approved shut-off valve.

This valve should be located in the same room as the range and should be in a location where it can be easily opened and closed.

Do not block access to the shut-off valve. The valve is necessary for turning the gas to the appliance on or off.

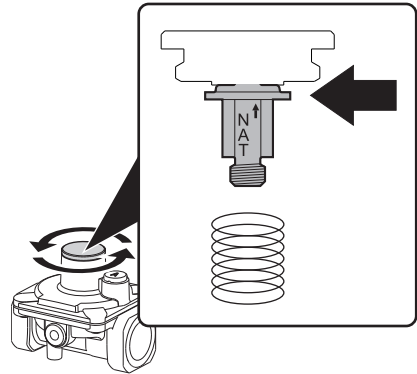


## Incoming line pressure

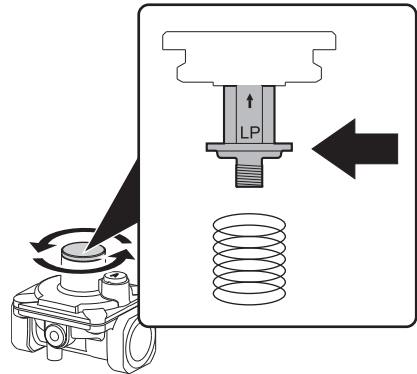
Incoming line pressure upstream from the regulator must be 1" (2.5 cm) W.C.P. higher than the manifold pressure in order to check the regulator. Incoming line pressure to the regulator should be as follows for operation and checking the regulator setting:

- **Natural Gas:** Set pressure to 5" W.C.P. Incoming line pressure of

6" - 10 1/2" W.C.P maximum.



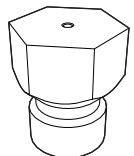
- **LP Gas:** Set pressure to 10" W.C.P. Incoming line pressure 11"- 13" W.C.P. maximum.



## 1.7 List of component

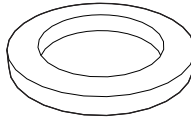
This conversion kit consists of the following components:

- One label for LPG injectors
- One injector  $\varnothing$  0.65 mm for the **Auxiliary** burners.
- One injector  $\varnothing$  0.80 mm for the **Semi-rapid** burner.





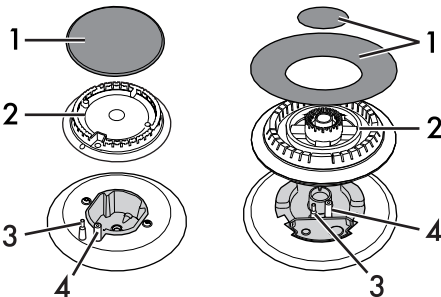
- Two injectors  $\varnothing$  1.02 mm for the **Rapid** burners.
- One injector  $\varnothing$  0.48 mm for the **Ultra-rapid Dual** burner (internal crown).
- One injector  $\varnothing$  1.15 mm for the **Ultra-rapid Dual** burner (external crown).
- One warning label change injectors
- One seal gasket 12.5x18.5x2 (mm).



**NOTE:** The range must be isolated from the gas supply piping system by turning off the respective manual shut-off valve during any pressure testing of the gas supply piping system.

## 1.8 Replacing cooktop burner nozzles:

1. Remove all the grates and all the burner caps (1) and heads (2);

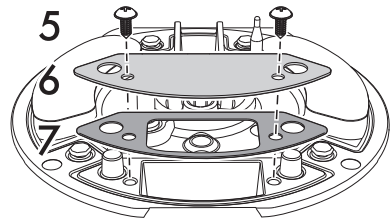


2. Unscrew the burner nozzles with a 7 mm socket wrench;

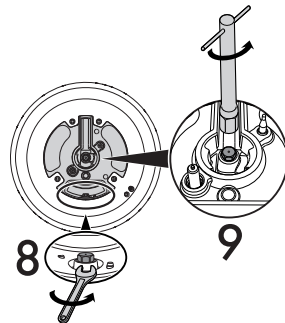
3. Replace the nozzles according to the type of gas to be used and the description in section 3.2 “Burner and nozzle characteristics table”.
4. Put the burners back in their correct position. Make sure that the holes of the flame-spreader crowns are aligned with the thermocouples (3) and igniters (4).

## For the Ultra Rapid burner (UR2)

1. Remove the tightening screws (5), the cover plate (6) and the gasket (7).



2. Remove the internal (8) and external (9) nozzles and replace them according to the type of gas to be used and the description in section “Burner and nozzle characteristics tables”.





# Installation

Refit the burner components correctly.

## Test the appliance

Follow these instructions to leak test the appliance:

Use a brush and liquid detergent to test all gas connections for leaks. Bubbles around connections indicate a leak. If a leak appears, shut off the gas valve controls and adjust the connections. Then check the connections again. Remove all the detergent product from the range. Replace the parts on the burner and turn the knobs on the gas tap valves.

## NEVER TEST FOR GAS LEAKS WITH A MATCH OR OTHER FLAMES.


Check that the flame at the maximum flame position has a blue color. It should be clean and soft in character. No blowing or lifting of flame should occur. Occasional orange flashes are normal and reflect different elements in the air or gas.

Wipe away all the detergent product from the range.

Replace the parts on the burner and turn the knobs on the gas tap valves.

## Minimum adjustment

### For natural Gas:

Light the burner and turn the knob to the minimum position .

Remove the gas tap knob and turn the adjustment screw at the side of

the tap rod until the desired minimum flame is achieved.

Refit the knob and verify that the burner flame is stable (when turning the knob rapidly from the maximum to the minimum position the flame must not go out).

Repeat this operation on the remaining gas taps on the cooktop.

### For LP Gas:

Turn off the burners and unplug the appliance from the electrical power supply.

For regulating the minimum with LP, the screws at the side of the tap rod must be turned clockwise all the way. Once the regulation has been completed, replace the seal on the by-passes using paint or similar materials. Follow the instructions given in point 9 to locate the adjustment screws.



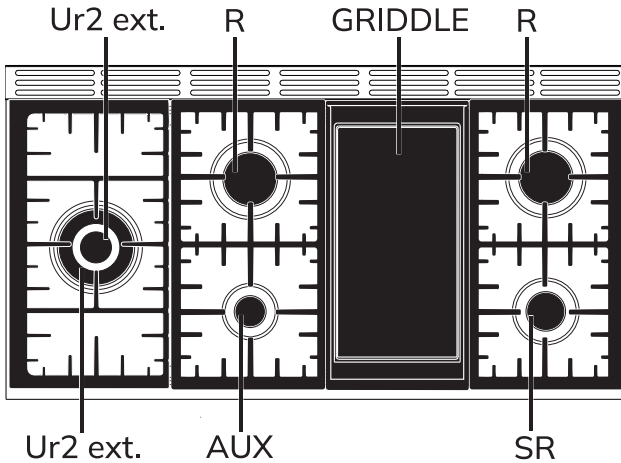
## 2 Burner and nozzle characteristics tables



**NOTE:** Save the nozzles that were removed from the appliance along with these instructions for possible future use.

To adjust the range for LP gas or to return to Natural Gas use, refer to the charts below.

Natural Gas	AUX	SR	R	UR2 int.	UR2 ext.
QT (BTU)	5000	8000	15000	3000	19000
Injector Ø (mm)	1.00	1.20	1.75	0.75	2.00
QR (BTU)	1000	1600	2500	1000	4200
LP	AUX	SR	R	UR2 int.	UR2 ext.
QT (BTU)	4800	7700	12000	2500	15500
Injector Ø (mm)	0.65	0.80	1.02	0.48	1.15
QR (BTU)	1000	1600	2500	1000	4200
By-pass (mm)	0.30	0.39	0.45	0.30	0.63



- Connect the gas supply line to the unit pressure regulator using a 1/2" flex gas line connector between the manual shut-off valve and the pressure regulator. A metal flex line or fixed metal pipe must be used to connect the gas to the appliance. If a metal gas line cannot be used, consult your local certified electrician or local electric codes for proper grounding.
- Check the supply line connections for leaks using a soap solution or non-corrosive leak detection fluid. Do not use a flame of any



# Installation

sort.



## WARNING

Install a gas shutoff valve near the appliance. After installation, it must be easily accessible in an emergency.

1. Turn on gas.
2. Apply a soap solution or non-corrosive leak detection fluid to all joints and fittings in the gas connection between the shut-off valve and the cooktop. Include gas fittings and joints in the cooktop if connections may have been disturbed during installation. Bubbles appearing around fittings and connections indicate a leak.
3. If you detect a leak, turn off the supply line gas shut-off valve and tighten connections.
4. Retest for leaks by turning the gas supply line shutoff valve on. When the leak check has been completed (no bubbles appear), the test is complete.
5. Wipe off all residues of the soap solution or detection fluid.

## Important notes for Gas Connection

- The appliance and its individual gas shutoff valve must be disconnected from the gas supply piping system during pressure testing of the system at test pressures in excess of 1/2 psi (3.5kPa).

- The appliance must be isolated from the gas supply piping system by turning off its individual manual shut-off valve during pressure testing of the gas supply piping system at test pressures equal to or less than 1/2 psi (3.5kPa).

## Final operations

- Completely fill out the conversion label (part no. 92849A078) and attach it to the rear of the appliance. Do not cover any other labels with the conversion label.
- Over time, the gas taps may become difficult to turn and jam. Clean them internally and replace the lubrication grease.



**NOTE:** Lubrication of the gas taps should be performed by a specialized technician.

## Assembling the backguard

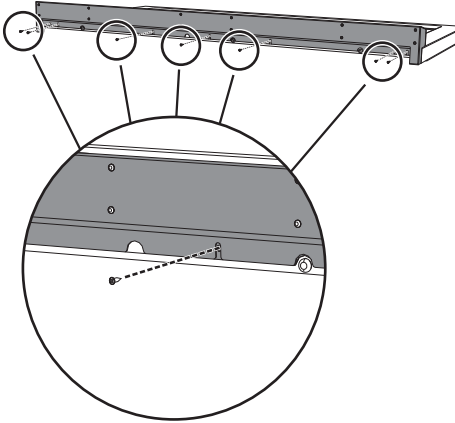


The backguard provided is an integral part of the product; it must be fastened to the appliance prior to installation.

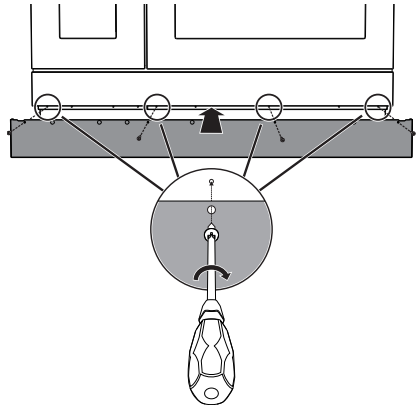
The backguard must always be positioned and secured correctly on the appliance.



1. Position the backguard above the top, taking care to align the holes.



the holes marked by a circle in the figure with the corresponding ones on the appliance.



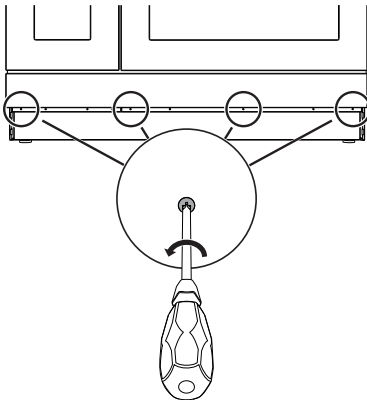
2. Secure the backguard to the top by tightening screws.

3. Fasten the front skirting to the appliance using the previously removed screws.

## Installing the front skirting

The front skirting must always be positioned and secured correctly on the appliance.

1. Use a screwdriver to remove the front screws underneath the storage compartment.



## Installing the side skirting

After installing the front skirting, the side skirting can be fastened correctly to the appliance.

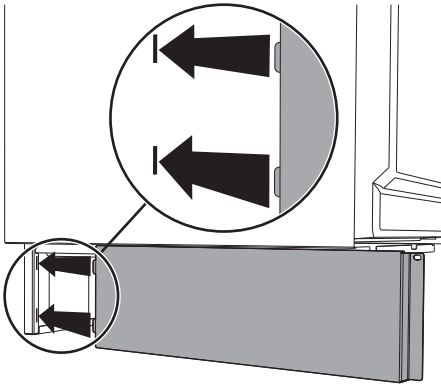
1. Position the side skirting on the lower side section of the appliance below the storage compartment.

2. Position the front kick plate at the bottom of the appliance and align

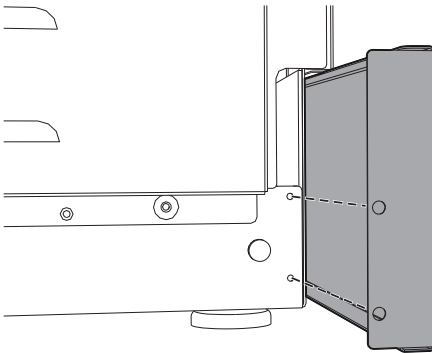


# Installation

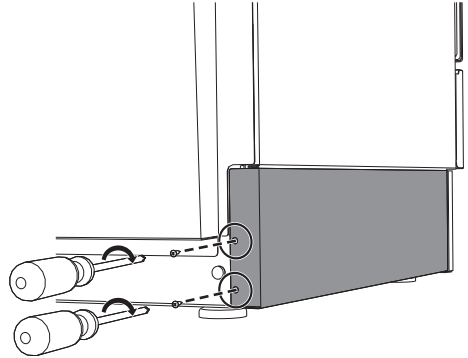
2. Fit the tabs of side kick plate in the slots at the ends of the front kick plate.



3. Line up the holes on the side skirting with the rear holes on the base of the appliance.



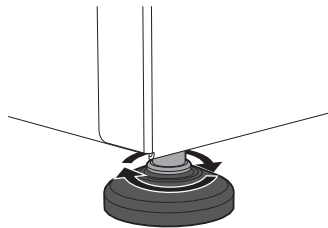
4. Secure the side kick plate with the supplied screws.



5. Repeat the operations described above for the other side skirting section.

## Positioning and levelling the appliance

After making the electrical and/or gas connections, properly level the appliance on the floor to ensure better stability. Screw or unscrew the bottom part of the foot until the appliance is stable and level on the floor.



## 2.1 For the installer

- The plug must remain accessible after the installation is complete. Do not kink or trap the mains connection cable.
- The appliance must be fitted



according to the installation diagrams.

- Do not attempt to turn or stress the threaded elbow on the manifold. You risk damage to this part of the appliance which may void the manufacturer's warranty.
- Before leaving check all connections for gas leaks with soap and water. DO NOT use a naked flame for detecting leaks.
- Ignite all burners individually and concurrently to ensure correct operation of the gas valves, burner and ignition.
- Turn the gas knobs to the low position and observe stability of the flame for each burner individually and all together.
- In case the appliance fails to operate correctly after all checks have been carried out, refer to the Authorised Assistance Centre in your area.
- When satisfied with the appliance, please instruct the user on the correct method of operation.

