

IMPORTANT SAFETY INSTRUCTIONS

READ CAREFULLY AND KEEP FOR FUTURE REFERENCE

WARNING: If the instructions contained in this manual are not followed exactly, fire or shock may result causing property damage, personal injury or death.

INSTALLER: Leave these installation instructions with the appliance for the owner.

OWNER: Please retain these instructions for future reference and pass them on to any future user.

IMPORTANT: Save these instructions for the local electrical inspector's use.

NOTICE: This appliance must be installed solely and exclusively by a qualified technician. Any technical procedures must be carried out by an authorized technician.

READ AND SAVE THESE INSTRUCTIONS

Recognize safety information

The safety messages will inform you of potential hazards, how to avoid the risk of injury and what can occur if the instructions are not followed.

WARNING

- This indicates that death or serious injuries may occur as a result of non-observance of this warning.

CAUTION

- This indicates that minor or moderate injuries may occur as a result of non-observance of this warning.

NOTES

- This indicates important information and/or suggestion.

Important Notes to the Installer

- Read all instructions contained in these installation instructions before installing the appliance.
- Remove all packaging material from the appliance compartments before connecting.
- Observe all governing codes and prescriptions.
- Leave these instructions with the consumer.

Important Notes to the Customer

- Keep these instructions with your Owner's Guide for the local electrical inspector's use and future reference.



CAUTION

- This appliance is NOT designed for installation in manufactured (mobile) homes, on a boat or in recreational vehicles (RVs).
- DO NOT install this appliance outdoors.
- This unit is designed as a cooking appliance. For safety purposes, never use it for warming the room or as a space heater.



WARNING

- Never allow children to play with packaging material.
- DO NOT modify or alter the construction of the appliance.
- Do not store or use gasoline or other flammable vapors, liquids or materials near this or any other appliance.
- Do not step, lean or sit on the door appliance, it can result in serious injuries and cause damage to the appliance.
- Make sure your appliance is properly installed and grounded by a qualified technician. Installation, electrical connections and grounding must comply with all applicable codes.
- Proper installation is your responsibility. Have a qualified technician install and ground this appliance in accordance with these installation instructions.
- It is the responsibility of the installer to comply with installation information specified on the model/serial ID plate. The ID plates are visibly located on the appliance. These ID plates must never be removed.
- ELECTRICAL GROUNDING REQUIRED: See the “Electrical connections” section. It is the customer’s responsibility to contact a qualified electrician to install the appliance.

- Ensure that the electrical system is adequate and conforms with the national ANSI / NFPA 70 ELECTRICAL CODE - latest edition - or the CANADIAN ELECTRICAL CODE, C22.11 - 1 and C22.2 No. 01982 - or latest edition - and all local prescriptions and regulations.
- IMPORTANT: Observe all governing codes and prescriptions.

Electrical safety



WARNING

Electrical shock hazard



- Personal injury or death from electrical shock may occur if the appliance is not installed by a qualified installer or electrician.
- Before installing, turn power OFF at the service panel. Lock service panel to prevent power from being turned ON accidentally.
- Do not use an extension cord to connect this appliance.
- Do not use an adapter.
- Do not use a gas supply line for grounding the appliance.

Failure to follow the above instruction could result in death, fire, or electrical shock.

- This appliance must be grounded.
- If required by the National Electrical Code (or Canadian Electrical Code), this appliance must be installed on a separate branch circuit. Failure to follow these instructions can result in death, fire, or electrical shock.
- For appliances equipped with a cord and plug, do not cut or remove the ground prong. It must be plugged into a matching grounding type receptacle to avoid electrical shock. If there is any doubt as to whether the wall receptacle is properly grounded, the customer should have it checked by a qualified electrician.
- INSTALLER - show the owner the location of the circuit breaker or fuse.

- Make sure that all the appliance controls are in the OFF position before plugging the electrical cord into an outlet.

Safety codes and standards

This appliance complies with the latest version of one or more of the following standards:

- CAN/CSA C22.2 No. 150 - Microwave Ovens
- CSA E60335-2- 25 - Microwave Ovens
- CAN/CSA C22.2 No 61 - Household Cooking Appliances
- CSA C22.2 No. 64 - Household Cooking and Liquid
- UL 1026 - Electric Household Cooking and Food Serving Appliances
- UL 923 - Microwave Cooking Appliances
- UL 858 - Household Electric Appliances

It is the responsibility of the owner and the installer to determine if additional requirements and/or standards apply to specific installations.

Proposition 65 Warning

This product may contain a chemical known to the State of California, which can cause cancer or reproductive harm. Therefore, the

packaging of your product may bear the following label as required by California:

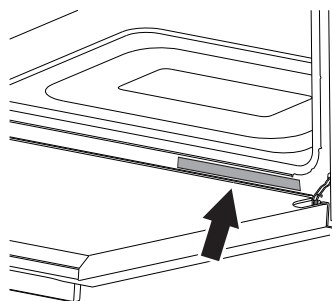
 **WARNING**
State of California
propositions 65 Warning


- Cancer or Reproductive Harm

More informations:
www.P65Warnings.ca.gov

ID plate position


Make sure that power line rating matches the specifications indicated on the ID plate. The ID plates are visibly located on the appliance.




 **NOTES**

- The ID plates must never be removed.


ELECTRICAL CONNECTION


 **WARNING**
Electrical shock hazard



- Electrical ground is required on this appliance.

Failure to follow the above instruction could result in death, fire, or electrical shock.

 **WARNING**
Electrical shock hazard



- Do not connect to the electrical supply until the appliance is permanently grounded.
- Do not use an extension cord to connect this appliance.

Failure to follow the above instruction could result in death, fire, or electrical shock.



WARNING

Electrical shock hazard



- Do not use a gas supply line for grounding the appliance.
- Do not use an adapter.
- Do not over bend the flexible conduit to avoid the exposures of internal wires.
- Do not use an extension cord to connect this appliance.

Failure to follow the above instruction could result in death, fire, or electrical shock.



WARNING

- DO NOT modify or alter the construction of the appliance.
- Make sure your appliance is properly installed and grounded by a qualified technician. Installation, electrical connections and grounding must comply with all applicable codes.



CAUTION

Any local codes or ordinances should be give priority over these instructions.

Frame grounded by connection of grounding wire to neutral wire. If used in the new branch circuit installation (1996 NEC)

or if local codes do not permit grounding through neutral wire, open the connection and use the grounding wire to the ground unit in compliance with local codes.

Connect the neutral wire to the branch circuit's neutral conductor in the usual manner:

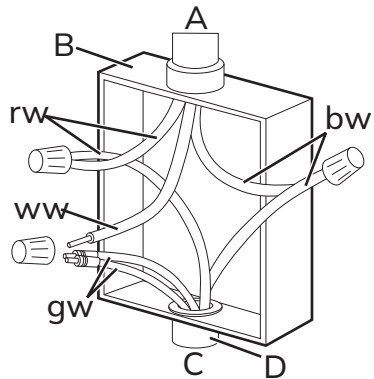
- Disconnect the ground from the neutral at the free end of the conduit.

- Use the grounding terminal or lead to ground the unit.
- Connect the neutral terminal or wire to the branch circuit neutral in the usual manner.

U.S. Installation only / 3-wire branch circuit

See diagram. Where local codes allow the connection of the ground wire from the oven to the power supply cable neutral wire (white wire):

- The ground wire must be connected first;
- If local codes permit, connect the green or yellow-green ground wire from the appliance and the white wire from the appliance to the power supply neutral wire (white wire).
- Connect the red and black leads from the appliance to the matching color wires in the junction box using UL/CSA listed wire connectors.

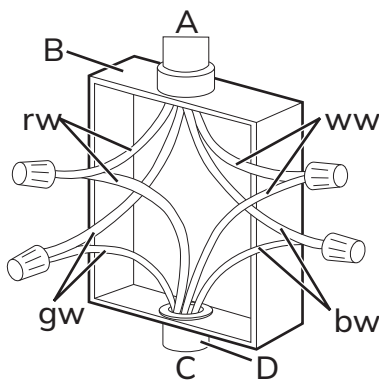


A	cable from power supply
B	junction box
C	cable from appliance
D	UL/CSA listed conduit connector

U.S. and Canada Installation only / 4-wire branch circuit

- Separate the green or yellow-green wires from the white wires that extend out of the end of the appliance cable.

- The ground wire must be connected first;
- Connect the green or yellow-green ground wire from the appliance to the ground wire in the junction box (green colored wire) using UL/CSA listed wire connectors. Do not connect the grounding wire to the neutral wire in the junction box.
- Connect the red and black leads from the appliance to the matching color wires in the junction box using UL/CSA listed wire connectors.
- Connect the white wire from the appliance to the neutral white wire in the junction box using a UL/CSA listed wire connect.
- Connect to a 35 A fuse or circuit breaker. Connect to copper wire, or, if connection is made to aluminum house wiring, use UL-listed or CSA-approved connectors approved for joining aluminum and copper wiring.




bw	black wires
gw	green or yellow-green wires
rw	red wires
ww	white wires

 **NOTE**


- Both leads coming out of the appliance must be connected according to the diagrams shown in figures.

CABINET INSTALLATION


Unpacking, moving and positioning the appliance

 **WARNING**
Heavy appliance, danger of crushing injuries.

- Position the appliance into the cabinet cutout with at least two person.
- Failure to do so can result in injury or damage to the unit.

 **WARNING**
Pressure on the open door
Risk of damages to the appliance

- When positioning the appliance during installation, do not use the door handle to lift or move this appliance.

 **WARNING**
Pressure on the open door
Risk of damages to the appliance

- Never use the oven door to lever the appliance into place when fitting.
- Avoid exerting too much pressure on the oven door when the door is open.

 **CAUTION**

- Wear protective gloves to avoid cutting fingers on sharp edges during installation.
- Do not lift the appliance by holding the upper heating element.

Appliance overall dimensions

CAUTION

- Cabinet materials must withstand a temperature of at least 195°F (90°C).
- The appliance support surface must be solid, level and flat.

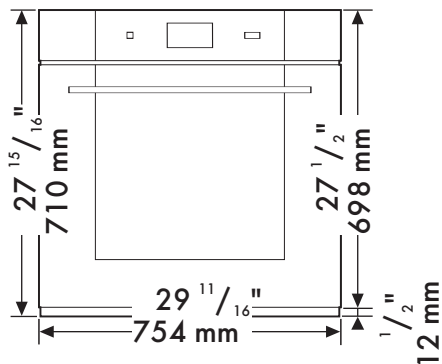
NOTES

- This appliance is intended to be built-in to a cabinet structure only and is not intended for attachment to the building structure.
- For microwave appliances: the instructions shall state that the appliance must be operated with any cabinet door open.
- Unit is heavy and requires at least two people or proper equipment to move.
- Remove the outer carton and packing material from the shipping base.
- Due to its weight, a dolly/fork lift with soft rubber tread wheels should be used to move this unit. The weight must be supported uniformly across the bottom.
- To avoid damage to the floor, place the appliance on cardboard prior to installation. Do not lift by the door handle or any part of the frame or trim.
- Use the handles at the side to lift the appliance.
- Remove the door for easier handling and installation (not for speed or microwave appliances).
- Remove the shipping materials and tape from the oven.
- Remove the literature contained in the package.

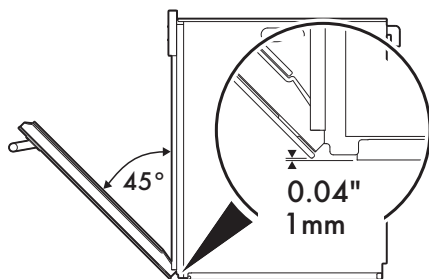
Ventilation recommendations

NOTES

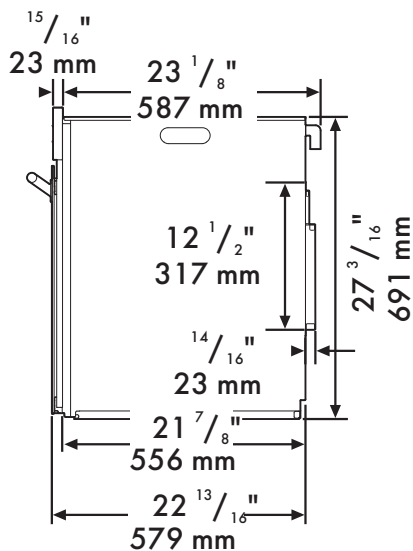
- Do not obstruct air vents or heat vent openings.



(front view)

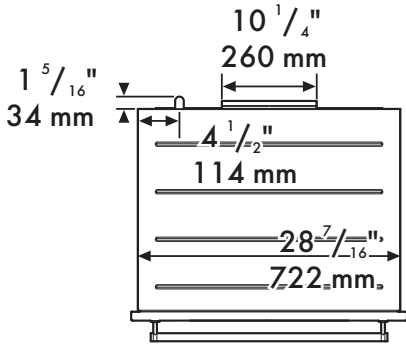


(side view)

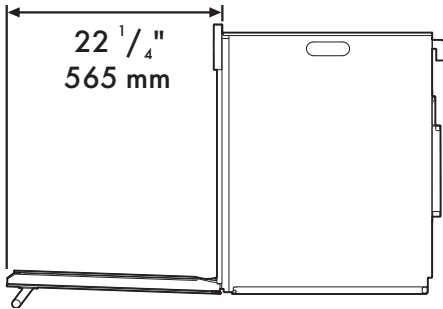
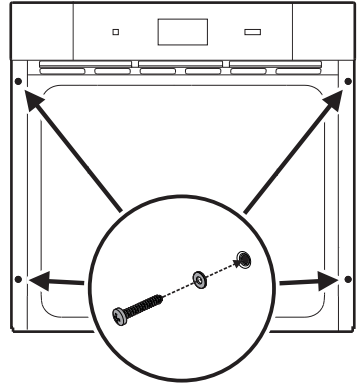


(side view)

holes in the frame.

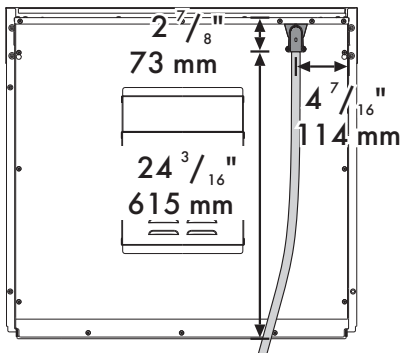


(top view)



(side view)

Power cord position

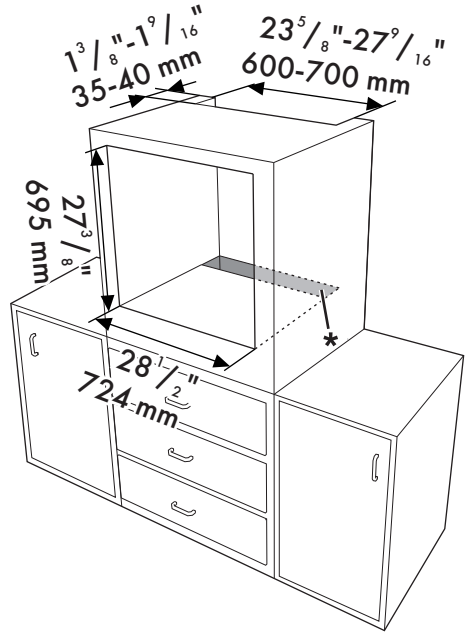
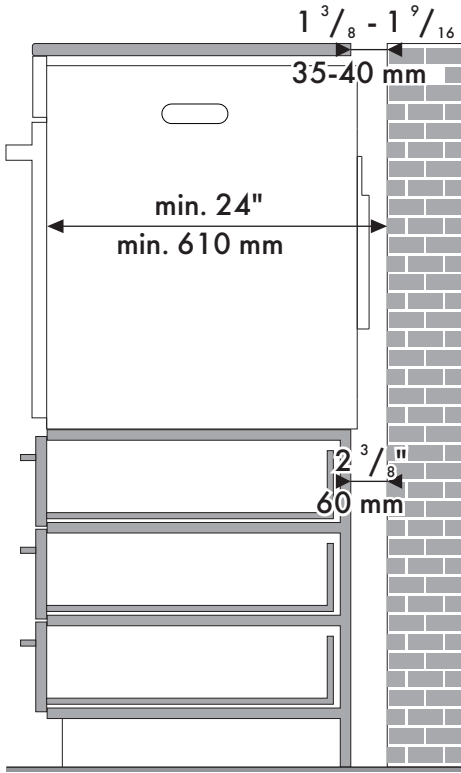


(back view)

Fix the appliance to the unit

Fix the appliance to the unit by screwing the 4 screws with their washers into the

Mounting into a column

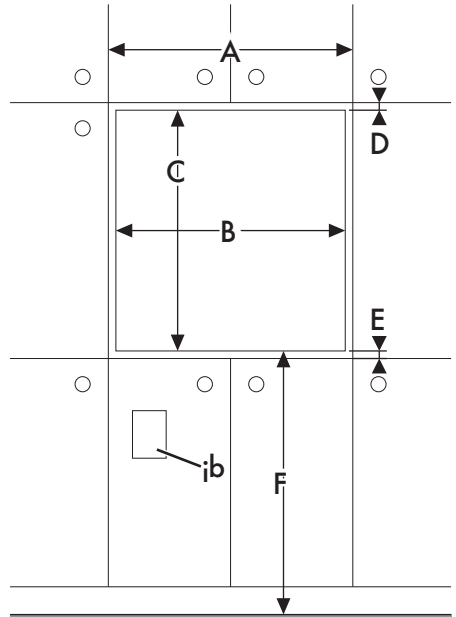


NOTES

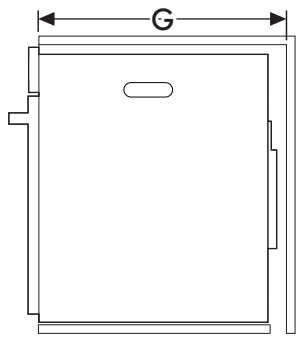
- If the cutout height is 27 15/16" (710 mm) it's necessary to install the special lifting kit (to be purchased separately) under the appliance.

NOTES

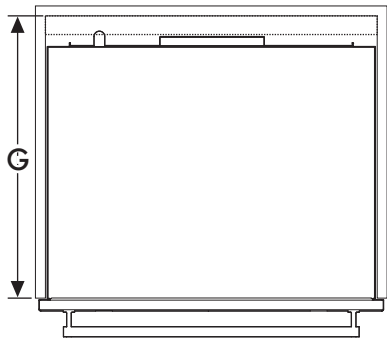
- *Make sure that the carcass rear/ bottom section has an opening approx. 2 3/8" (60 mm) deep.



(front view)



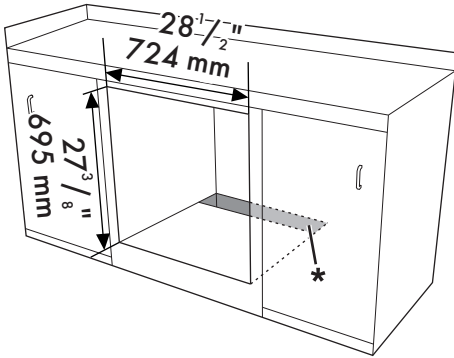
(side view)



(top view)

	in	mm
A	Width of cabinet	
	min. 29 ¹³ / ₁₆	min. 758
B	Width of cutout	
	29 ¹ / ₂	724
C	Height of cutout	
	27 ³ / ₈ - 27 ¹⁵ / ₁₆	695 - 710
D	Top of cutout to bottom of upper cabinet	
	³ / ₈ - ⁷ / ₁₆	9 - 11
E	Top of cutout to top of lower cabinet door	
	min. ³ / ₁₆	min. 5
F	Bottom of cutout to floor (recommended)	
	min. 4 ¹ / ₂	min. 114
	max. 34 ⁵ / ₈	max. 880
G	Depth of cutout	
	min. 24	min. 610
H	Bottom of countertop to bottom of cutout	
	min. 28 ¹ / ₁₆	min. 712
jb	Recommended junction box	

Under-counter installation

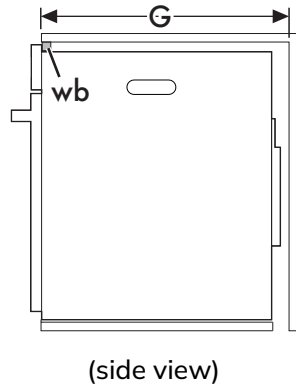
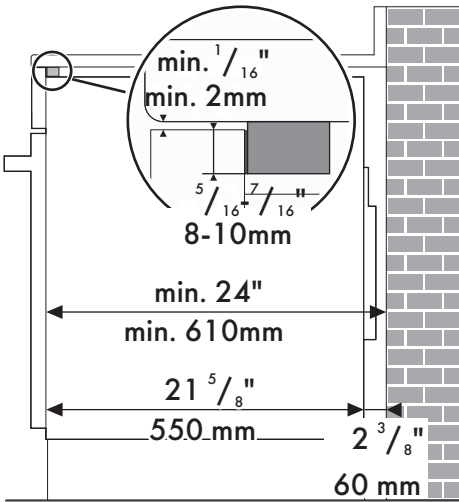
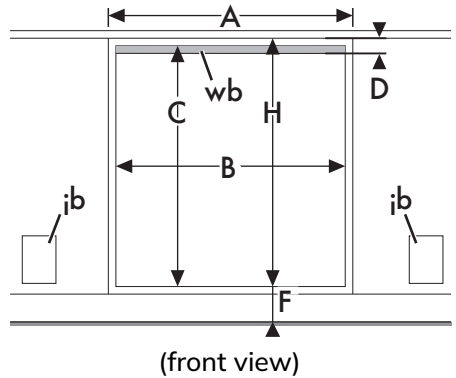


NOTES

- If the appliance is to be built-in under a worktop, a wooden bar has to be installed to use the seal that is glued to the back of the front panel, to prevent water or other liquids from leaking in.

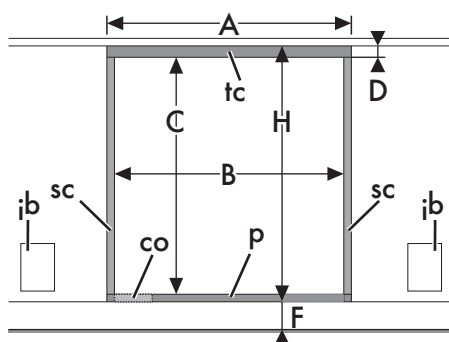
NOTES

- *Make sure that the carcass rear/bottom section has an opening approx. 2 3/8" (60 mm) deep.
- If the cutout height is 27 15/16" (710 mm) it's necessary to install the special lifting kit (to be purchased separately) under the appliance.

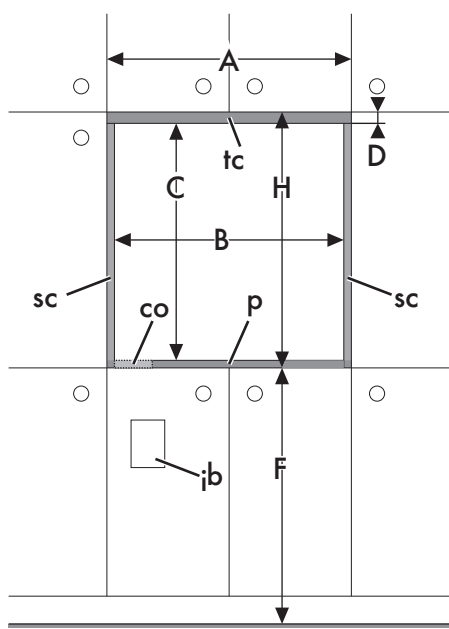


Flush installation

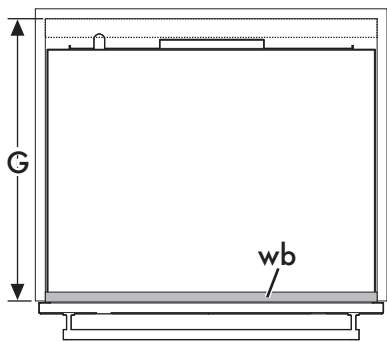
	in	mm
A	Width of cabinet	
	min. 29 ¹³ / ₁₆	min. 758
B	Width of cutout	
	29 ¹ / ₂	724
C	Height of cutout	
	27 ³ / ₈ - 27 ¹⁵ / ₁₆	695 - 710
D	Top of cutout to bottom of upper cabinet door	
	min. ¹¹ / ₁₆	min. 17
F	Bottom of cutout to floor (recommended)	
	min. 4 ¹ / ₂	min. 114
	max. 34 ⁵ / ₈	max. 880
G	Depth of cutout	
	min. 24	min. 610
H	Bottom of countertop to bottom of cutout	
	min. 28 ¹ / ₁₆	min. 712
jb	Recommended junction box location	
w b	Wooden bar (recommended)	



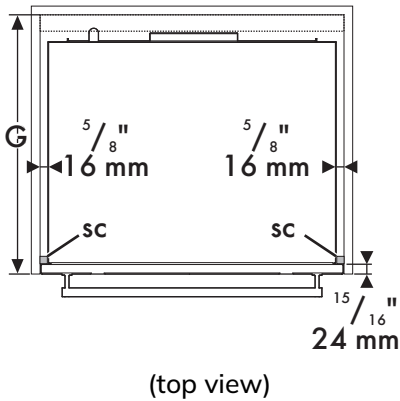
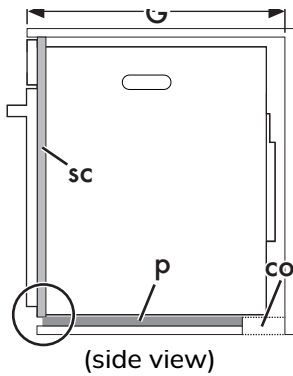
Under countertop mounting (front view)



Mounting into a column (front view)



(top view)



F	Bottom of cutout to floor (recommended)	
	min. 4 1/2	min. 114
	max. 34 5/8	max. 880
G	Depth of cutout	
	min. 24	min. 610
H	Height of flush inset cutout	
	min. 28 1/16	min. 712
jb	Recommended junction box location	
sc	Side Cleat 16 mm - 5/8	
tc	Top Cleat	

Built-in under hob

WARNING

- Check the hob installation manual to comply with all required safety clearances.

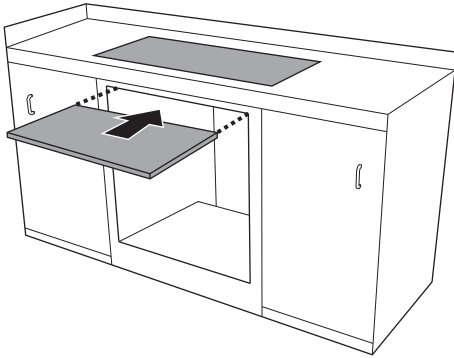
Whenever a hob is installed above the oven, a wooden separator has to be installed at a minimum distance of 3/4" - 20 mm from the top of the oven to prevent overheating when the two appliances are used at the same time. It must only be possible to remove the

NOTES

- Cleats and platform must be recessed 5/8" (16 mm) from the front of the cabinet.

	in	mm
A	Width of flush inset cutout	
	min. 29 13/16	min. 758
B	Width of opening	
	28 9/16	726
C	Height of opening	
	27 3/8 - 27 15/16	695 - 710
D	Height of top cleat (tc)	
	min. 11/16	min. 17

separator by using suitable tools.



NOTES

- When using a wooden separator, a wooden bar has to be installed under the worktop in order to use the seal that is glued to the back of the front panel to prevent water or other liquids leaking in.

