

Installation Instructions
Use and Care Information

Instructions d'installation
Utilisez et d'entretien

Instrucciones de instalación
Información de uso y cuidado

KSEG24XU - KSEG30XU

READ AND SAVE THESE INSTRUCTIONS BEFORE YOU START INSTALLING THIS RANGE HOOD

WARNING: - TO REDUCE THE RISK OF A RANGE TOP GREASE FIRE:

- a) Never leave surface units unattended at high settings. Boilovers cause smoking and greasy spillovers that may ignite. Heat oils slowly on low or medium setting.
- b) Always turn hood ON when cooking at high heat or when flambeing food (i.e. Crepes Suzette, Cherries Jubilee, Peppercorn Beef Flambé).
- c) Clean ventilating fans frequently. Grease should not be allowed to accumulate on fan or filter.
- d) Use proper pan size. Always use cookware appropriate for the size of the surface element.

WARNING: - TO REDUCE THE RISK OF INJURY TO PERSONS IN THE EVENT OF A RANGE TOP GREASE FIRE, OBSERVE THE FOLLOWING*:

- a) **SMOTHER FLAMES** with a close-fitting lid, cookie sheet, or metal tray, then turn off the burner. **BE CAREFUL TO PREVENT BURNS.** If the flames do not go out immediately **EVACUATE AND CALL THE FIRE DEPARTMENT.**
- b) **NEVER PICK UP A FLAMING PAN** - You may be burned.
- c) **DO NOT USE WATER**, including wet dishcloths or towels - a violent steam explosion will result.
- d) Use an extinguisher **ONLY** if:
 1. You know you have a Class ABC extinguisher, and you already know how to operate it.
 2. The fire is small and contained in the area where it started.
 3. The fire department is being called.
 4. You can fight the fire with your back to an exit.

* Based on "Kitchen Firesafety Tips" published by NFPA

WARNING - TO REDUCE THE RISK OF FIRE OR ELECTRIC SHOCK, do not use this fan with any solid-state speed control device.

WARNING - TO REDUCE THE RISK OF FIRE, ELECTRICAL SHOCK, OR INJURY TO PERSONS, OBSERVE THE FOLLOWING:

1. Use this unit only in the manner intended by the manufacturer. If you have any questions, contact the manufacturer.
2. Before servicing or cleaning unit, switch power off at service panel and lock the service disconnecting means to prevent power from being switched on accidentally. When the service disconnecting means cannot be locked, securely fasten a prominent warning device, such as a tag, to the service panel.

CAUTION: For General Ventilating Use Only. Do Not Use To Exhaust Hazardous or Explosive Materials and Vapors.

WARNING - TO REDUCE THE RISK OF FIRE, ELECTRICAL SHOCK, OR INJURY TO PERSONS, OBSERVE THE FOLLOWING:

1. Installation Work And Electrical Wiring Must Be Done By Qualified Person(s) In Accordance With All Applicable Codes And Standards, Including Fire-Rated Construction.
2. Sufficient air is needed for proper combustion and exhausting of gases through the flue (chimney) of fuel burning equipment to prevent backdrafting. Follow the heating equipment manufacturer's guideline and safety standards such as those published by the National Fire Protection Association (NFPA), and the American Society for Heating, Refrigeration and Air Conditioning Engineers (ASHRAE), and the local code authorities.

3. **When cutting or drilling into wall or ceiling, do not damage electrical wiring and other hidden utilities.**
4. **Ducted fans must always be vented to the outdoors.**

ALL WALL AND FLOOR OPENINGS WHERE THE RANGE HOOD IS INSTALLED
MUST BE SEALED.

This Range Hood requires at least 24" of clearance between the bottom of the Range Hood and the cooking surface or countertop. This hood has been approved by UL at this distance from the cooktop.

This minimum clearance may be higher depending on local building codes. For gas cooktops and combination ranges, a minimum of 30" is recommended and may be required.

Overhead cabinets on both sides of this unit must be a minimum of 18" above the cooking surface or countertop. Consult the cooktop or range installation instructions given by the manufacturer before making any cutouts.

The warranty does not consider the installation of this range hood into manufactured / mobile homes; so this product is not intended for use in manufactured / mobile home.

See Electrical Requirements.

VENTING REQUIREMENTS

Determine which venting method is best for your application. Ductwork can extend either through the wall or the roof.

The length of the ductwork and the number of elbows should be kept to a minimum to provide efficient performance. The size of the ductwork should be uniform. Do not install two elbows together. Use duct tape to seal all joints in the ductwork system. Use caulking to seal exterior wall or floor opening around the cap.

Flexible ductwork is not recommended. Flexible ductwork creates back pressure and air turbulence that greatly reduces performance.

Make sure there is proper clearance within the wall or floor for exhaust duct before making cutouts. Do not cut a joist or stud unless absolutely necessary. If a joist or stud must be cut, then a supporting frame must be constructed.

WARNING - To Reduce The Risk Of Fire, Use Only Metal Ductwork.

CAUTION - To reduce risk of fire and to properly exhaust air, be sure to duct air outside – Do not vent exhaust air into spaces within walls or ceilings or into attics, crawl spaces, or garages.

WARNING: To Reduce The Risk Of Fire, Electric Shock Or Injury To Persons, Do Not Use Replacement Parts That Have Not Been Recommended By The Manufacturer (e.g. Parts Made At Home Using A 3D Printer).

Cold Weather installations

An additional back draft damper should be installed to minimize backward cold air flow and a nonmetallic thermal break should be installed to minimize conduction of outside temperatures as part of the vent system. The damper should be on the cold air side of the thermal break. The break should be as close as possible to where the vent system enters the heated portion of the house.



WARNING

- Venting system **MUST** terminate outside the home.
- **DO NOT** terminate the ductwork in an attic or other enclosed space.
- **DO NOT** use 4" laundry-type wall caps.
- Flexible-type ductwork is not recommended.
- **DO NOT** obstruct the flow of combustion and ventilation air.
- Failure to follow venting requirements may result in a fire.

ELECTRICAL REQUIREMENTS

A 120 volt, 60 Hz AC-only electrical supply is required on a separate 15 amp fused circuit. A time-delay fuse or circuit breaker is recommended. The fuse must be sized per local codes in accordance with the electrical rating of this unit as specified on the serial/rating plate located inside the unit near the field wiring compartment.



WARNING

- Electrical ground is required on this Range Hood.
- If cold water pipe is interrupted by plastic, nonmetallic gaskets or other materials, **DO NOT** use for grounding.
- **DO NOT** ground to a gas pipe.
- **DO NOT** have a fuse in the neutral or grounding circuit. A fuse in the neutral or grounding circuit could result in electrical shock.
- Check with a qualified electrician if you are in doubt as to whether the Range Hood is properly grounded.
- Failure to follow electrical requirements may result in a fire.

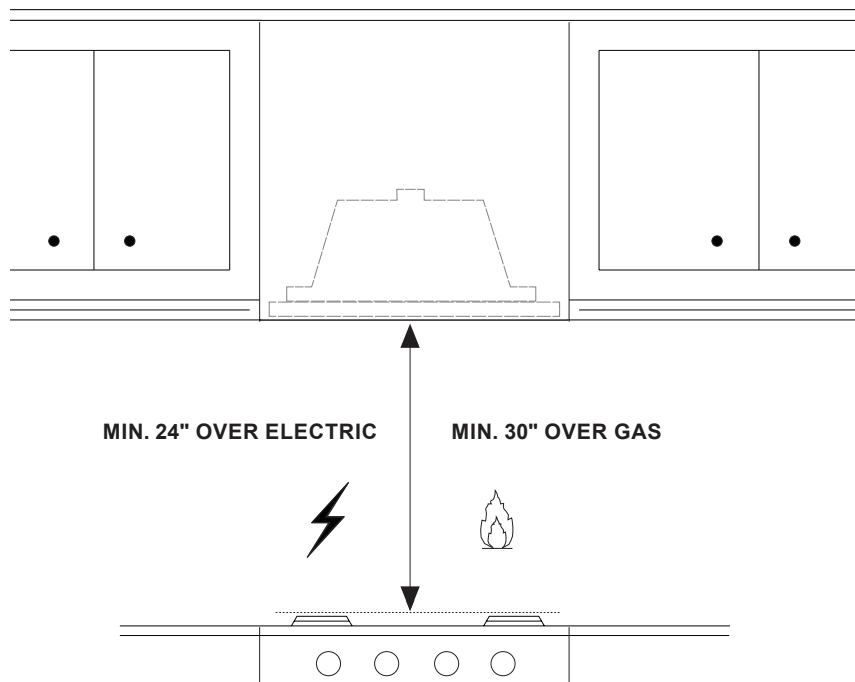
State of California Proposition 65 Warning (US only)

WARNING

This product contains chemicals known to the State of California to cause cancer and birth defects or other reproductive harm.

For more information go to www.P65Warnings.ca.gov

INSTALLATION HEIGHT REQUIREMENTS



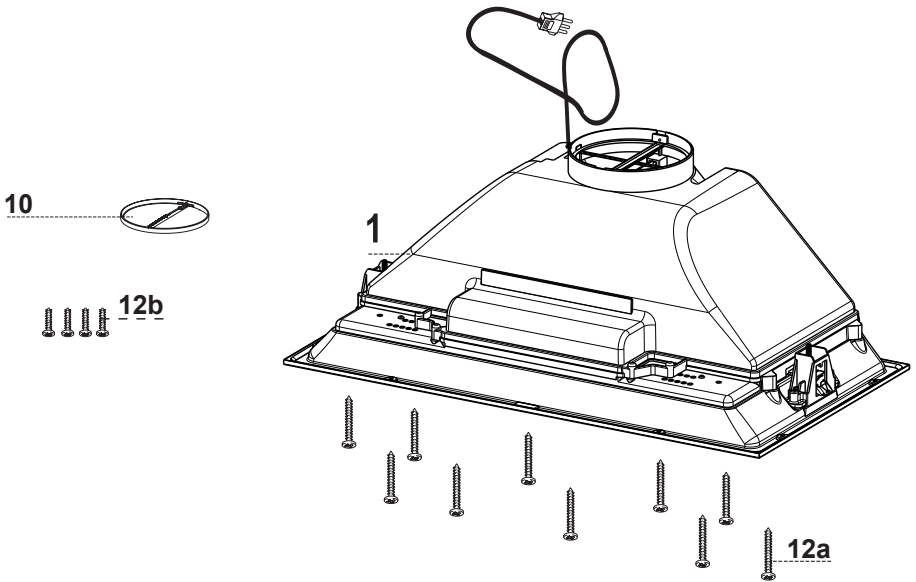
WARNING

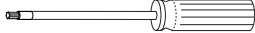
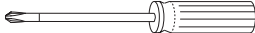
THE HOOD IS NOT DESIGNED FOR USE OVER PRO-STYLE COOKING SURFACES, INSTALLATIONS OVER PRO-STYLE COOKING SURFACES WILL COMPLETELY VOID THE WARRANTY OF THIS PRODUCT .




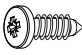
MAIN PARTS

Components

Ref.	Qty.	Product Components
1	1	Hood Body, complete with: Controls, Light, Filters,Blower.
10	1	Damper ø 5"
Ref.	Qty.	Installation Components
12a	10	Screws (for hood installation)
12b	4	Screws 1/8"x1/2" (for Cover installation)
Qty.	Documentation	
1	Instruction Manual	



Torx Screwdriver	
Pozi Screwdriver	

12a	Pozi Screws (1/8" x 5/8")	 	10
12b	Pozi Screws (1/8" x 1/2")	 	4

Parts needed

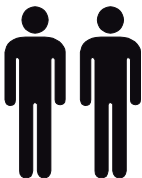
- 5" Round Metal ductwork .

Available Accessories

Activated Charcoal Filter sku #; KITFC142

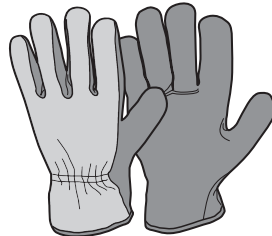


Two men required for installation



OK!

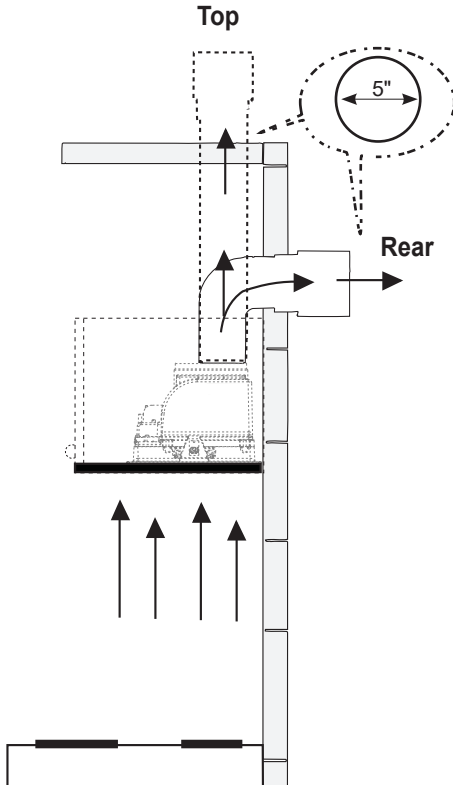
Wear work gloves for safety



Choose your ducting method

Ducted Venting Installation

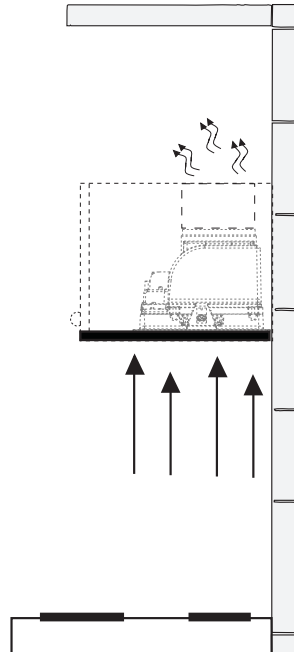
Caution: If an elbow is required, do it as far away from the hood's exhaust opening as possible.



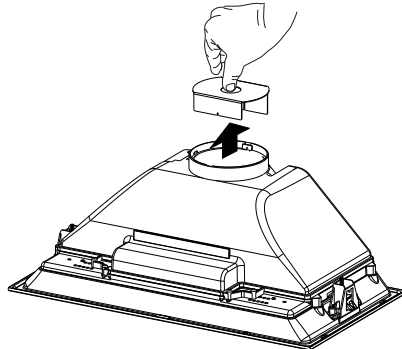
Non Ducted - Recirculation

Requires purchase of Activated Charcoal Accessory #KITFC142

Requires purchase of Grille and screws for air outlet cover.

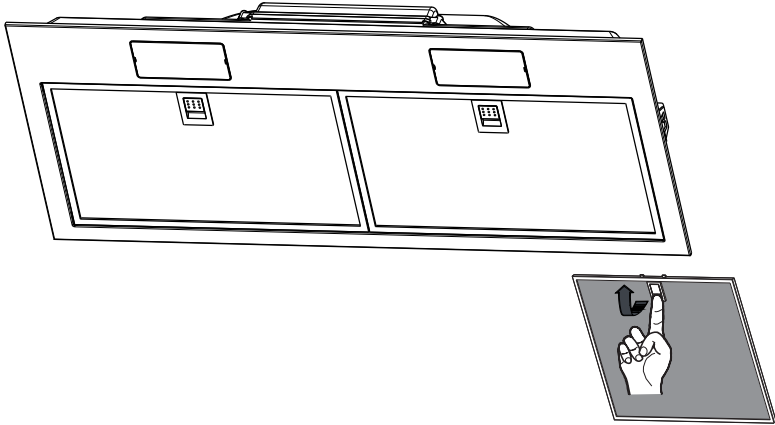


Remove the metal packaging support piece from the top of the hood before installation.

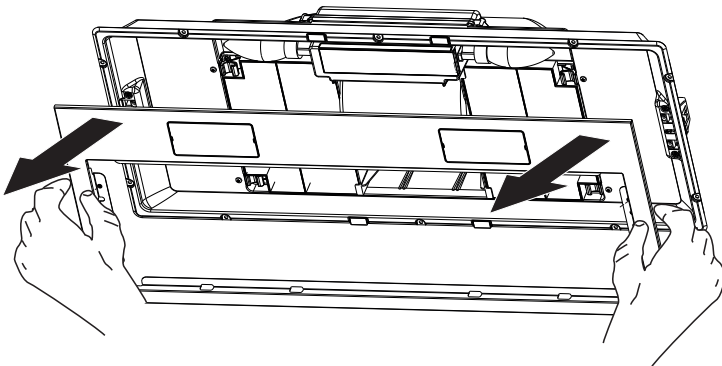


INSTALL THE RANGE HOOD

- 1** Remove grease filters and set aside.



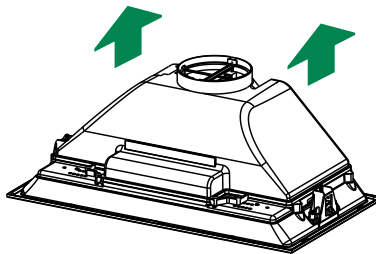
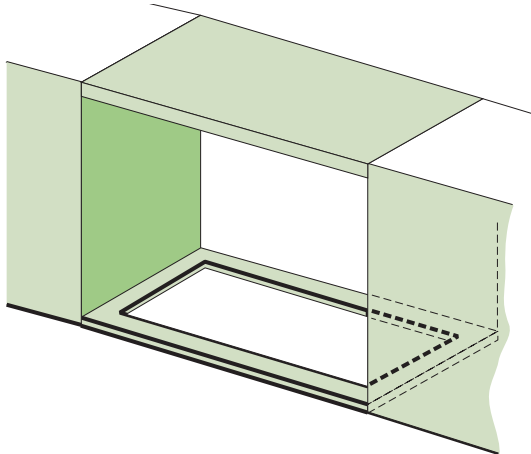
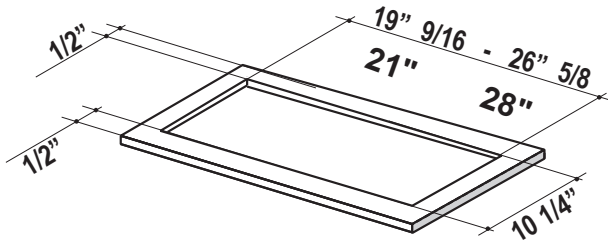
- 2** Remove the bottom of the Range Hood by pulling forward as shown.



3

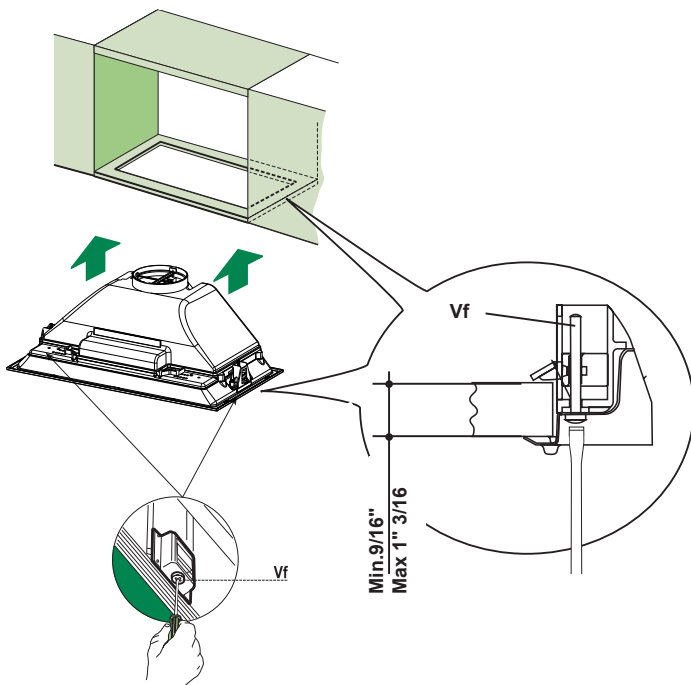
The Hood can be installed directly on the underside of the cabinet (minimum 24" for electric ranges and 30" for gas ranges).

Create an opening in the bottom of the Cabinet, as shown.

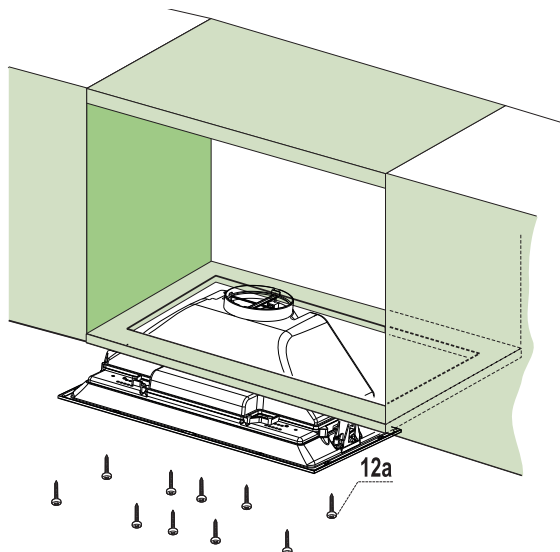


Attention: The cabinet must be accessible so that you can access the hood cable and plug in the future, after installing the product.

- 4** Insert the hood until the side supports snap into place.
Lock in position by tightening the screws **Vf** from underneath the hood.

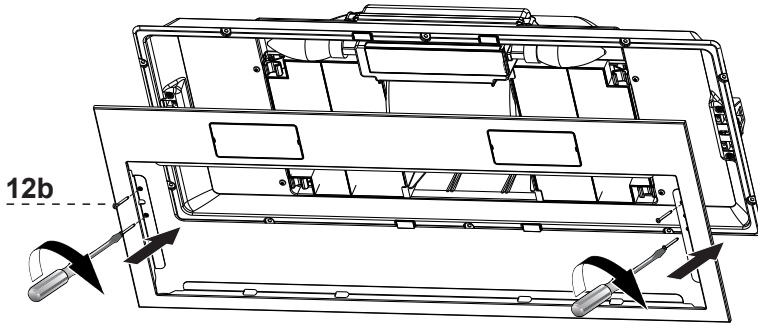


- 5** Fasten using the 10 screws **12a** provided.

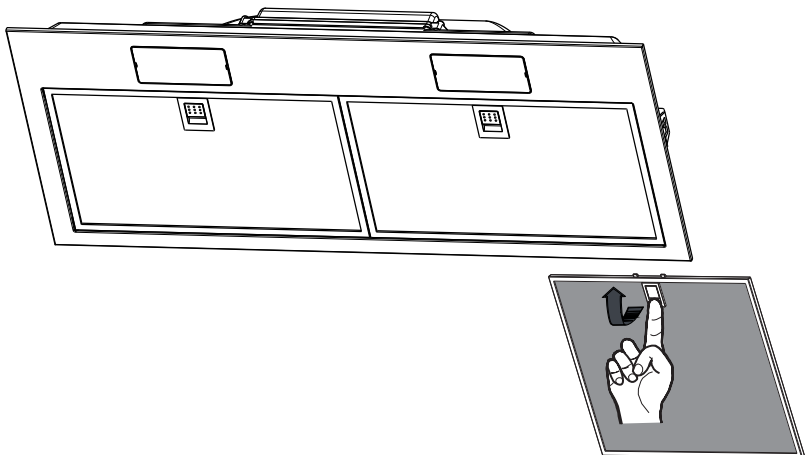


Attention:
KSEG24XU uses 8 screws
KSEG30XU uses 10 screws

6 Replace the bottom of the Range Hood by 4 screws **12b** as shown.

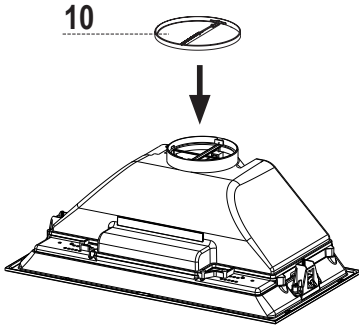


7 Place the grease filters in the hood.

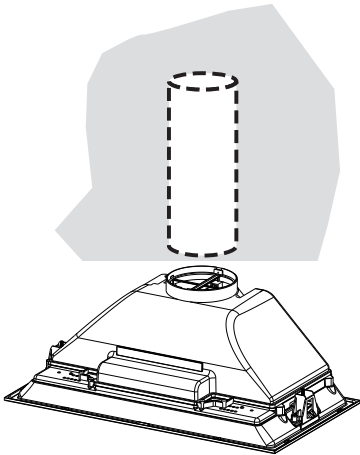


CHOOSE YOUR DUCTING METHOD

Ducted Venting Installation



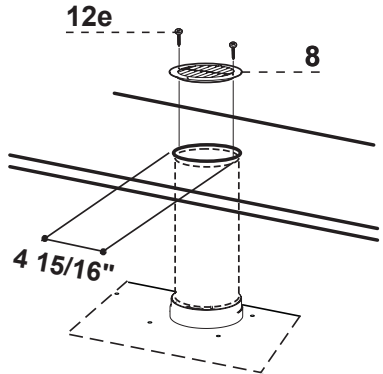
Install Damper that is included with the Hood before connecting to the ductwork.



Install Roof or Wall Cap purchased separately. Connect the ø 5" metal ductwork to the Roof or Wall Cap and then attach ductwork.

Non Ducted - Recirculation Option

Requires purchase of Grille (8) and screws (12e) locally.



For Non-Ducted Recirculation venting, route the ductwork to a location above the hood where the discharge is vented back into the room.

Fit a straight tube at least 15" in length from the Hood air outlet to the wall unit.

Required Activated Charcoal Filter Accessory - sku # - KITFC142



ELECTRICAL INSTALLATION WITH CONNECTION CABLE

9 GROUNDING INSTRUCTIONS

This appliance must be grounded.

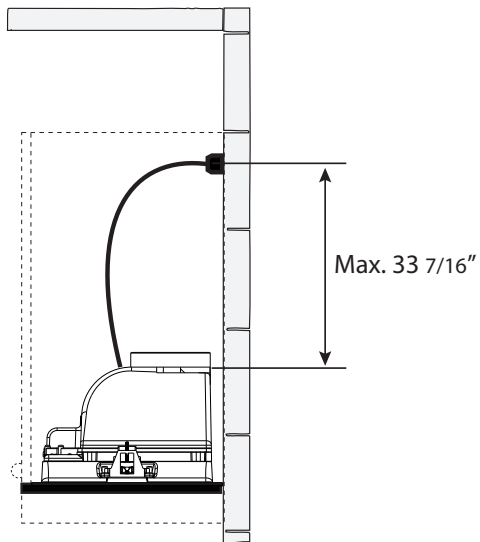
In the event of an electrical short circuit, grounding reduces the risk of electric shock by providing an escape wire for the electric current.

This appliance is equipped with a cord having a grounding wire with a grounding plug. The plug must be plugged into an outlet that is properly installed and grounded.

WARNING - Improper grounding can result in a risk of electric shock.

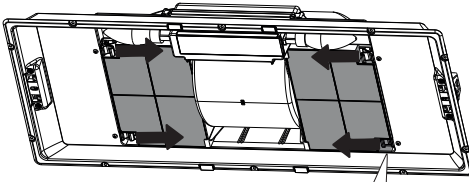
Consult a qualified electrician if the grounding instructions are not completely understood, or if doubt exists as to whether the appliance is properly grounded.

Do not use an extension cord. If the power supply cord is too short, have a qualified electrician install an outlet near the appliance.

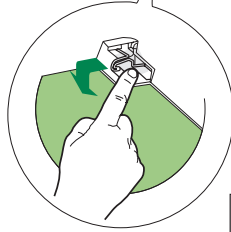


10


For Non-Ducted Recirculation Option



The charcoal filters must be inserted behind the grease filters as indicated.





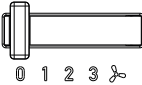
Required Activated
Charcoal Filter
Accessory - sku # -
KITFC142



USE AND CARE INFORMATION

For Best Results

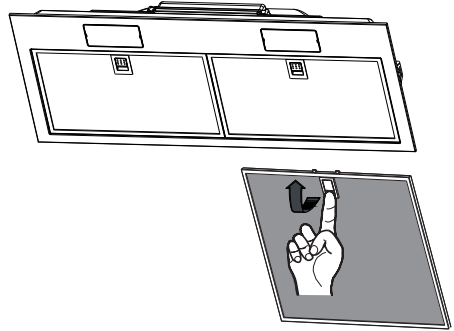
Start the Range Hood several minutes before cooking to develop proper airflow. Allow the Range Hood to operate for several minutes after cooking is complete to clear all smoke and odors from the kitchen.

Button	Function
	LED indicator light (L)
	Light On/Off Button On/Off switch for the lights. Press the button to turn the light ON and press again to turn it OFF.
	On/Off Move the switch to "1" to turn the blower ON and to "0" to turn the blower OFF. Speed Control 1 Low Speed (ON) 2 Medium Speed 3 High Speed

Cleaning metal grease filters

The metal grease filters can be cleaned in hot detergent solution or washed in the dishwasher. They should be cleaned every 2 months use, or more frequently if use is particularly heavy.

- Remove the filter, pushing the lever towards the back of the unit and at the same time pulling downward.
- Wash the filter without bending it, leave it to dry thoroughly before replacing (if the surface of the filter changes color over time, this will have absolutely no effect on its efficiency).
- Replace, taking care to ensure that the handle faces forward.
- Cleaning in dishwasher may dull the finish of the metal grease filter.
- No water can be present in filters before installing back in hood.



Cleaning Exterior surfaces

Cleaning Exterior surfaces:

Please note, abrasives and scouring agents can scratch range hood finishes and should not be used to clean finished surfaces.

Stainless Steel finish cleaning instructions:

Clean exterior surfaces with a commercially available stainless steel cleaner.

Painted Gray finish cleaning instructions:

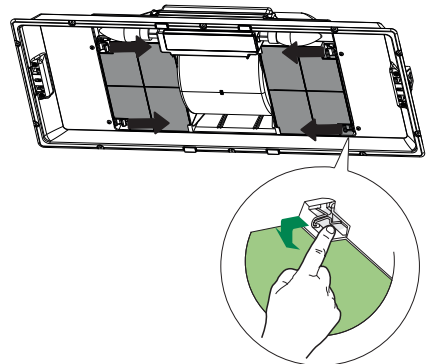
Clean exterior surfaces with hot soapy water.

Replacing Activated Charcoal Filter

The Activated Charcoal Filters are not washable and cannot be regenerated, and must be replaced approximately every 4 months of operation, or more frequently with heavy usage.

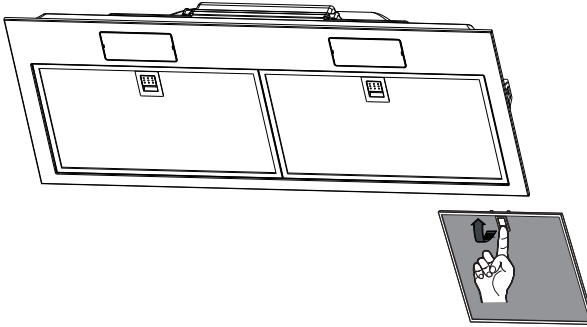
- Remove the grease filters.
- Remove the saturated carbon filter.
- Fit the new filter by hooking it into its seating.
- Replace the grease filters.

Caution: When used in recirculation mode, to Reduce the Risk of Fire and Shock use only conversion kit Model KITFC142.

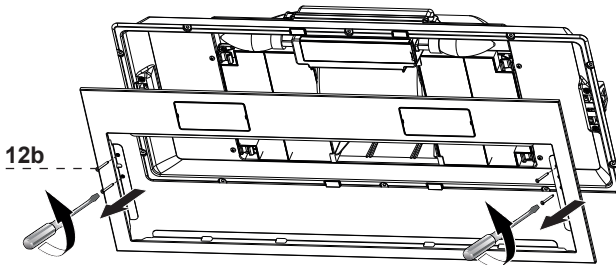


Light Bulb Replacement

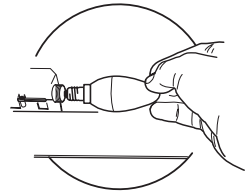
- Remove grease filters and set aside.



- Remove the bottom of the Range Hood by 4 screws **12b** as shown.



- Replace the lamp with a new one of the same type.
- Replace the bottom of the Range Hood by 4 screws **12b**.
- Replace the grease filters.



E12 self-ballasted led lamps –
listed in accordance with ul 1993/
nmxj-578/1-ance/ csa c22.2 No.
1993



STATE OF CALIFORNIA PROPOSITION 65 WARNING



Cancer and Reproductive Harm -
www.P65Warnings.ca.gov

**AVERTISSEMENT DE LA PROPOSITION 65
DE L'ÉTAT DE CALIFORNIE**



Cancer et Troubles de l'appareil
reproducteur -
www.P65Warnings.ca.gov

**ADVERTENCIA DE LA PROPUESTA 65
DEL ESTADO DE CALIFORNIA**



Cáncer y daños de reproducción -
www.P65Warnings.ca.gov
