



**BUILT-IN REFRIGERATOR-FREEZER
CB2485U**

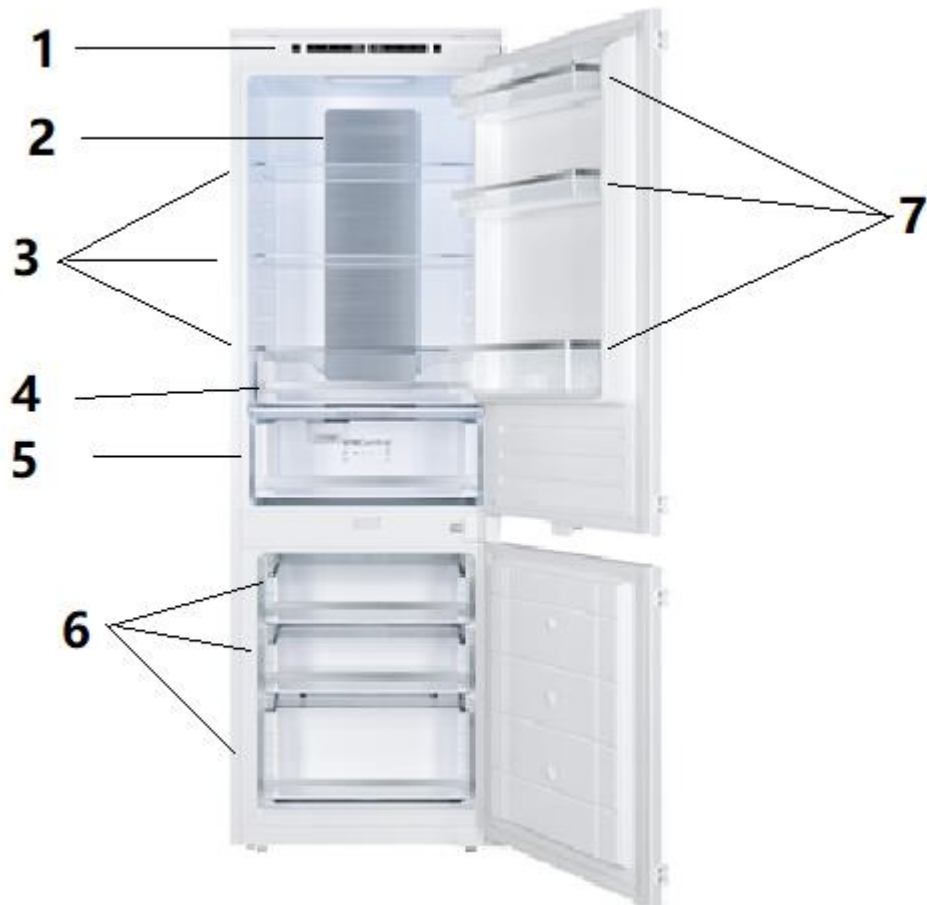
CONTENT

IMPORTANT NOTICE-----	2
APPLIANCES COMPONENTS-----	3
INSTALLATION AND OPERATING CONDITIONS OF THE APPLIANCE -----	4
INSTALLATION INSTRUCTION-----	6
DOOR REVERSAL-----	11
BEFORE FIRST USE-----	13
STORAGE INSTRUCTION-----	15
CONTROLS-----	17
DE-FROSTING-----	18
CARE AND CLEANING-----	19
TROUBLESHOOTING-----	20
WARRANTY-----	21

IMPORTANT NOTICES

1. Some provisions in this user manual apply to refrigerating products of different types e.g. (for a refrigerator, refrigerator-freezer or freezer) The Manufacturer shall not be held liable for damage arising from the failure to observe the instructions contained in this manual. Please refer to the warranty booklet.
2. Keep this manual for future reference, or to provide to the next user.
3. The appliance operates properly at the ambient temperature 16 °C (61°F) ~32 °C (90°F). Do not use it in the conditions that are out of those recommended.
4. When placing, moving or lifting the appliance, do not hold the door handles, do not pull the condenser at the rear part of the refrigerator and do not touch the compressor unit.
5. When transporting, moving or positioning the appliance, do not tilt it by more than 40° from the vertical position. Should such a situation occur, the appliance should not be switched on for a minimum 2 hours.
6. Remove the plug from the outlet before any maintenance activity.
7. The “cracking” sound, which the appliance may emit is caused by the expansion and contraction of parts as a result of temperature variations during its cooling and defrost recycles.
8. For safety reasons never repair the appliance yourself. Repairs carried out by persons who do not have the required qualifications may result in serious injury for the user of the appliance.
9. Do not refreeze partly thawed products.
10. Do not store beverages in bottles and cans, especially carbonated beverages, in the freezer compartment. The cans and the bottles may explode.
11. Do not put frozen products, taken out directly from the freezer (candies, ice cubes, etc.) into your mouth, their low temperature may cause severe frost-bite.
12. Make sure you do not damage the cooling system, by puncturing the refrigerant tubing in the evaporator or breaking the tubes. The refrigerant is flammable. If the refrigerant comes into contact with the eyes, rinse them with clean water and call for medical assistance immediately.
13. This appliance is intended for food and beverage storage, do not use it for other purposes.
14. When performing activities, such as cleaning, maintenance or moving, the appliance must be completely disconnected from power supply (by removing the plug from the wall outlet or turning off the breaker)
15. This appliance should not be used by children under 8 years of age or by persons with physical, mental or sensory handicaps, or by those who are inexperienced or unfamiliar with the appliance, unless they are supervised or have been instructed how to safely use the appliance and are familiar with risks associated with the use of the appliance. Ensure that children do not play with the appliance. Cleaning and maintenance of the appliance should not be performed by children unless they are 8 years or older and are supervised by a competent person.

APPLIANCE COMPONENTS



1. Control panel

2. Air duct panel

3. Glass shelves

4. Crispers

5. Fresh zone

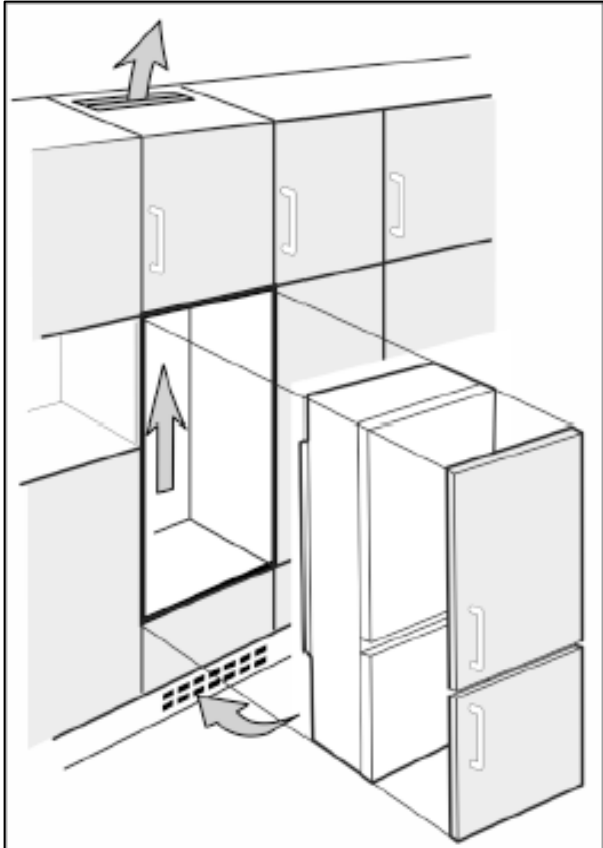
6. Drawers

7. Door bins

INSTALLATION AND OPERATING CONDITIONS OF THE APPLIANCE

Placement of the Refrigerator in cabinetry

- This drawing shows the placement of the refrigerator in the cabinet, the airflow through the entire cabinet, the platform base that the refrigerator sits on, as well as the cabinet doors as they overlay the refrigerator doors.



INSTALLATION AND OPERATING CONDITIONS OF THE APPLIANCE

Connect to the power supply

- This appliance should be connected to AC 120V/60Hz supply socket. The socket must be fitted properly and must be supplied with a power cord with a 3-prong plug and a 15A fuse.
- It is a legal requirement that the appliance is properly grounded. The manufacturer will not be held liable for any damage or injury which may result from the failure to fulfill this requirement.
- Do not use adapters, multiple sockets and cords.
- See the serial plate at the lower part of the internal wall of the appliance for detailed specifications**.

Disconnecting the power supply

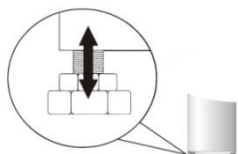
- Make sure the appliance can be easily disconnected from the outlet, either by pulling the plug out of the outlet, or by switching off the breaker.

Minimum distances from the heat sources

- from the electric, gas and other ovens - 30 mm / 1 inch,
- from oil or coal fired ovens - 300 mm / 12 inches,
- from built-in ovens - 50 mm / 2 inches
- Use an appropriate insulation panel between them when there is no possibility of ensuring the specified distances.

Installation before using the appliance for the first time

- Make sure there is enough space around the refrigerator to allow it work properly. A free space of 1cm (1/2 inch) is required on the rear of the appliance so that the air can be circulated to cool the compressor and condenser. And 30cm (12 inches) space above the refrigerator.
- Make sure the appliance is placed in level position by adjusting the 2 adjustable front legs.



Shelves

- The fridge shelves can be moved according to the storage requirements within the fridge section
- To move the shelf, lift the rear section and then pull it outwards
- To replace, slide the shelf back into the slot, and then lower the rear section

INSTALLATION INSTRUCTION

Ventilation is the main consideration when installing any refrigeration unit into a custom kitchen.

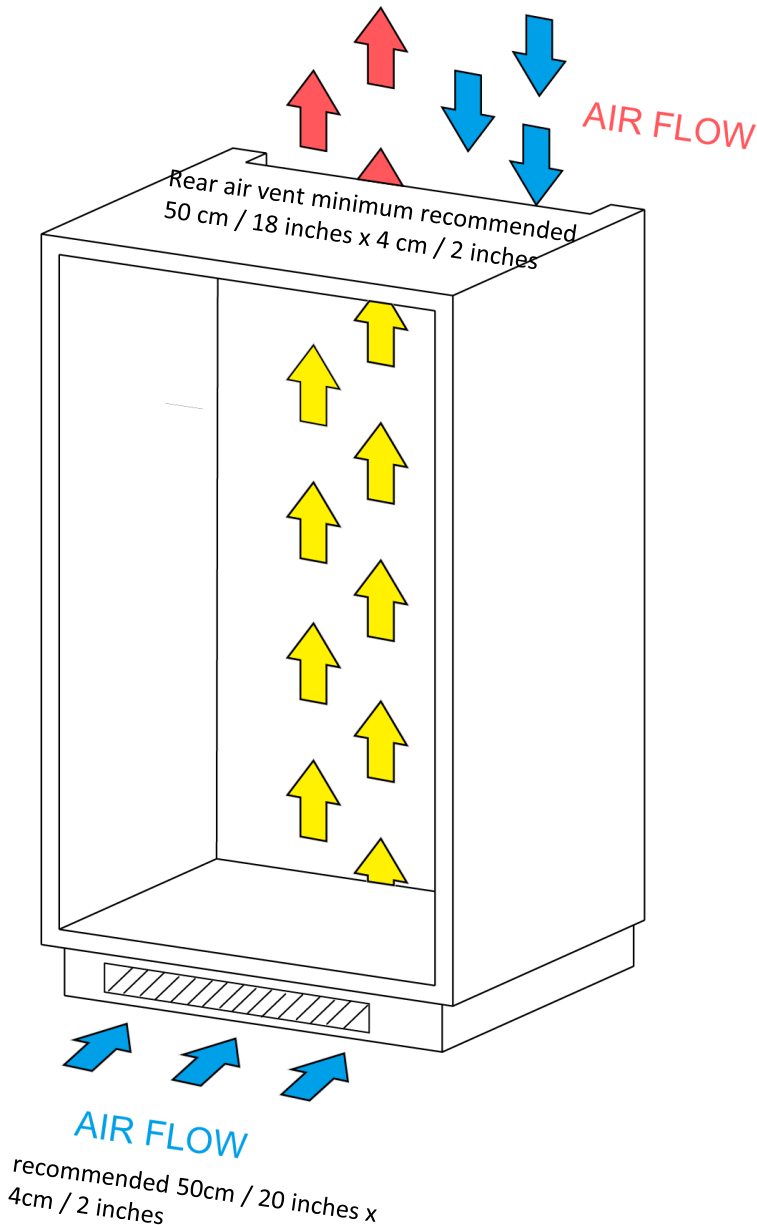
The heat removed from the cooling and/or freezing compartments needs to be dissipated into the atmosphere.

Incorrect ventilation can lead to premature compressor failure, excessive power consumption, moisture buildup and mold, total system failure and will likely invalidate the warranty provided with the appliance.

For products intended to be installed into a cabinet, the following requirements must be met:

Ventilation from underneath through the base of the kitchen cabinet must be set up with the supplied ventilation grill or an air vent with at least a 31 in² (200 cm²) cross section area.

- Installing the cabinet base air ventilation grill:
 - Cut a hole in the plinth/kick plate of the kitchen cabinet below the refrigerator: 17.64 in. (448 mm) wide and 2.6 in. (55mm) high.
 - Insert the ventilation grill into the cut out in the cabinet base.
 - Secure the grill with the 4 screws, 1 in each corner.



IMPORTANT!

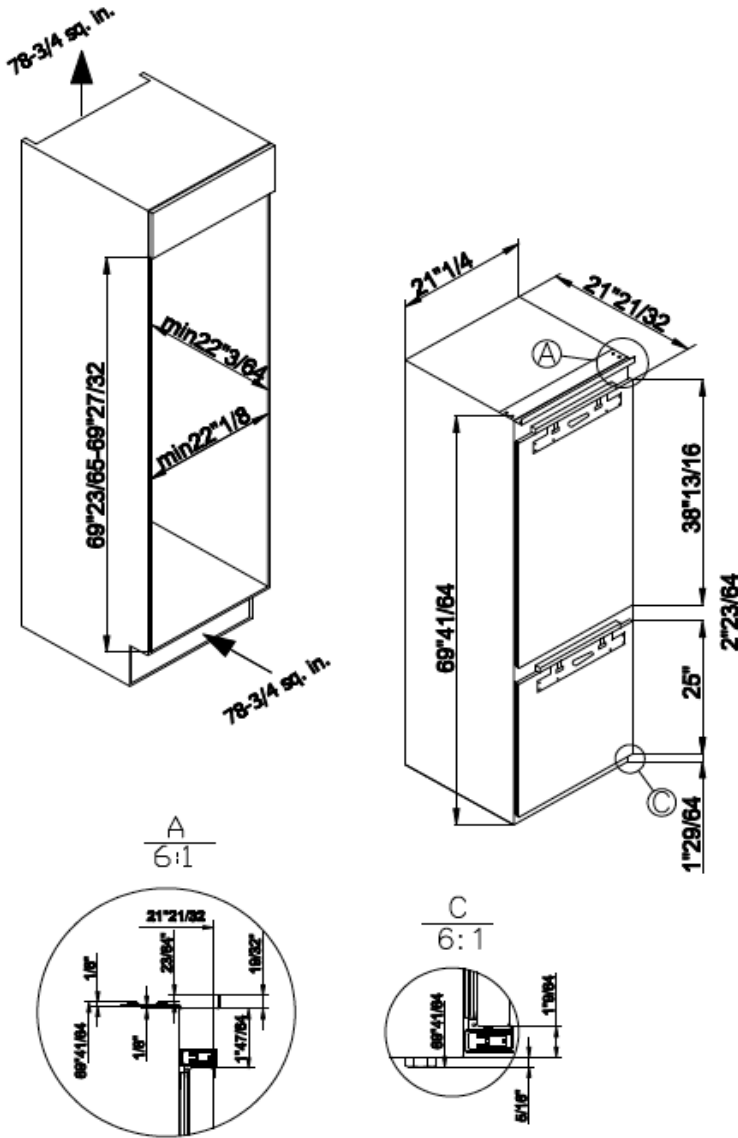
An air passageway must be provided in the top of the cabinet run to allow free air in and out.

There must be space at the rear of the cabinet to allow cool air to be drawn into the condenser.

INSTALLATION INSTRUCTIONS

Unit and Cavity Dimensions

This built-in appliance is completely enclosed by a kitchen cabinet. The cabinet surrounding the appliance must be designed in accordance with the specified dimensions and must allow sufficient air circulation to ensure correct operation of the appliance.



Unit	Cavity
Width 21 1/4" 540mm	Width Min. 22 1/8" Min. 560mm
Height 69 41/64" 1769mm	Height 69 23/65" – 69 27/32" 1771 – 1774mm
Depth 21 21/32" 550mm	Depth Min. 22 3/64" Min 560mm

Cabinet Door Dimensions

This appliance requires 2 doors. One for the refrigerator section and one for the freezer section. The custom doors must be at least 5/8" (16 mm) thick and no more than 3/4" (19mm) thick. The space between the top and bottom doors must be at least 1/8" (3mm), the same as the appliance door space. Similar space is required between the top door and the cabinet door above the appliance (if applicable) – 1/8" (3mm). Spacing between the cabinet doors and the existing cabinets should comply with the existing kitchen cabinets, typically 1/8" (3mm) should be allowed. The cabinet doors must follow the recommended weight requirements –

Fridge compartment door 37.5 lbs (17 kg)

Freezer compartment door 26.5 lbs (12 kg)

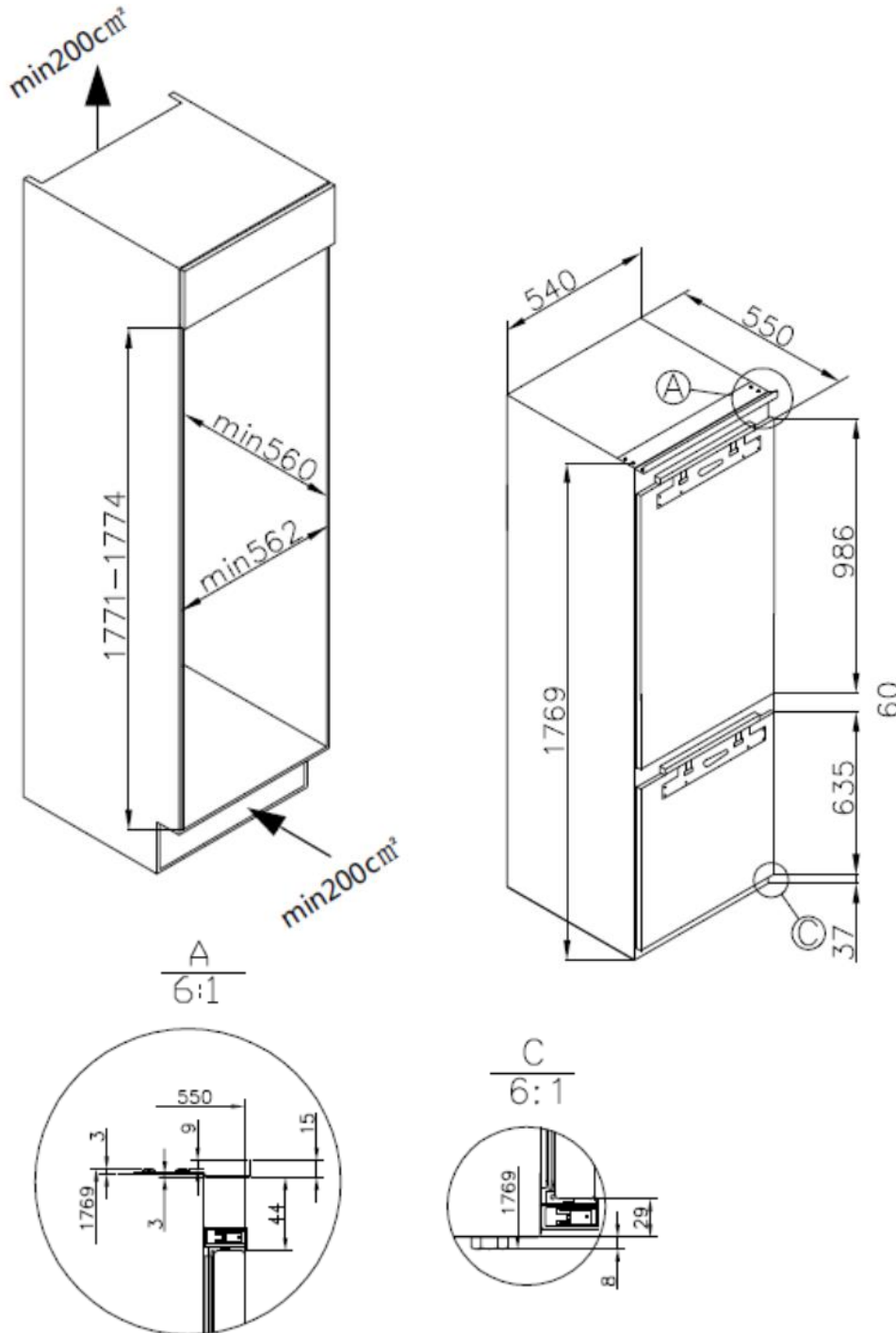
Detailed specs for custom doors for appliance: Specs provided for the width of the appliance doors in the diagram. Detail for designers/planners.

Fridge 38 13/16" (988 mm)

Freezer 25" (640 mm)

INSTALLATION INSTRUCTION

REQUIRED CAVITY DIMENSION



INSTALLATION INSTRUCTION

Push the appliance carefully into the cabinet, make sure the appliance is centered in the cavity. Follow the steps below to fit the cabinet door panel, ensuring the door can be opened and closed properly then tighten the screws at the top and bottom.

Fitting the cabinet door bracket

Remove the white decorative cover

Fig. 1- by lifting it upwards.

Fig. 2- Obtain the below measurements:

Dimension B= Measure from the underside surface of cabinet ceiling to the bottom of fixing bracket.

Dimension C= Determine which gap you need between the cabinet ceiling or panel above. Often this will align with the adjacent cabinet doors.

Fig. 3 - Fitting the decor door bracket

Subtract C from B and put the fixing bracket (2) in place using this measurement for vertical position and center horizontally.

Secure the fixing bracket (2) using screws (1) x8.

Fig. 4 - Fitting the cabinet door

Place the cabinet door onto the appliance door by inserting adjustment bolts into the slots on the fixing bracket. Locate the washers and screw the nuts onto the adjustment bolts. Do not tighten fully yet.

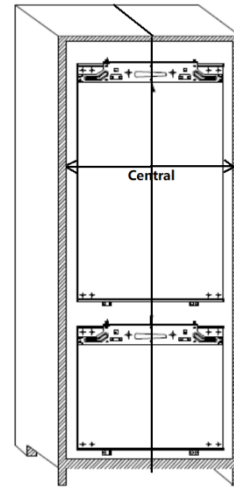


Fig 1

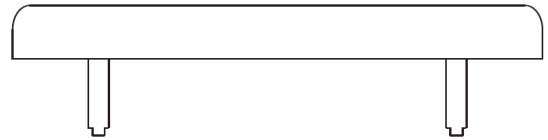


Fig 2

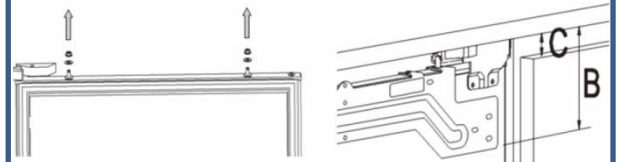


Fig 3

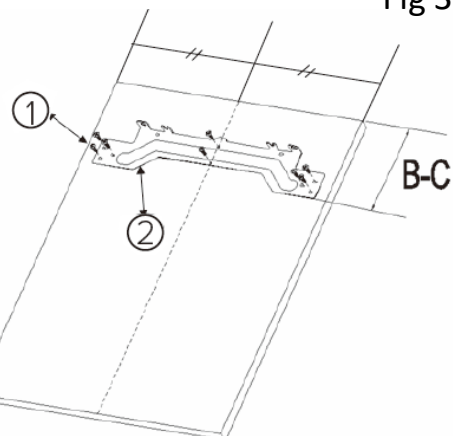
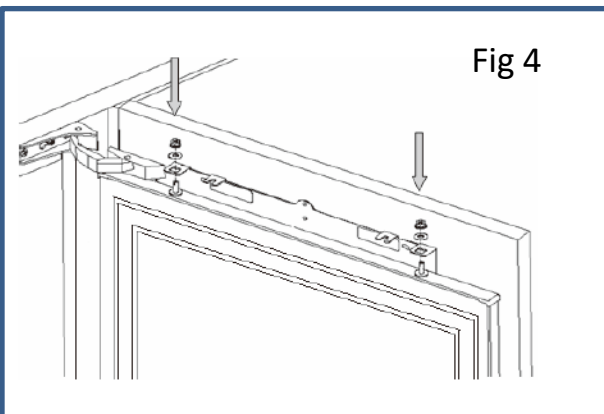


Fig 4



INSTALLATION INSTRUCTION

Fig. 5 - Aligning the panel door

Close the door and check the alignment with the other unit door (if applicable) or adjacent cabinets. Adjust the cabinet door by screwing or unscrewing the adjustment/angle alignment bolts for vertical adjustment and by the help of the slots on the fixing bracket for other directions. Lock the screws into place as shown in Fig. 5.

Fitting the cabinet door bottom brackets

With the appliance door open, locate the metal door lower fixing brackets and screw the bracket to the cabinet door. You may need to remove and re-fit these brackets depending upon the cabinet door style used.

Fitting the decorative cover

Re-fit the decorative cover, that you removed in the first step, on to the cabinet door upper bracket.

Check that the whole door assembly operates smoothly and that the door seals are still creating a good seal.

Tip: If you hear wood touch wood when a door closes, it's possible the door panel is contacting the cabinet gable and potentially preventing a tight gasket seal. Adjust the panel further away from the appliance door to ensure a small gap between the cabinet panel and the gable.

Ensuring the door seals correctly:

It is normal for the seal to be compressed after the door has been reversed.

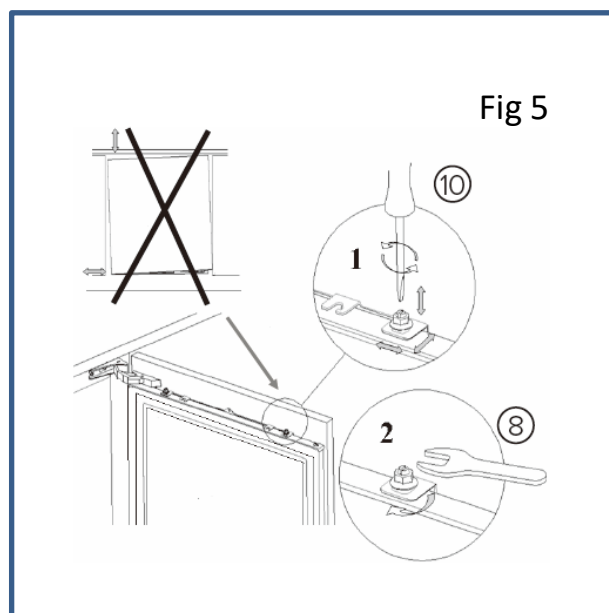
With the door closed, use a hair dryer to expand the seal and fill the gap between the door and the body of the appliance.

Take care not to use the hair dryer too close to the appliance, which could damage the seal.

A distance of approximately 10 cm / 4 inches should be adequate.

When completed, allow the seal and door to cool before touching them.

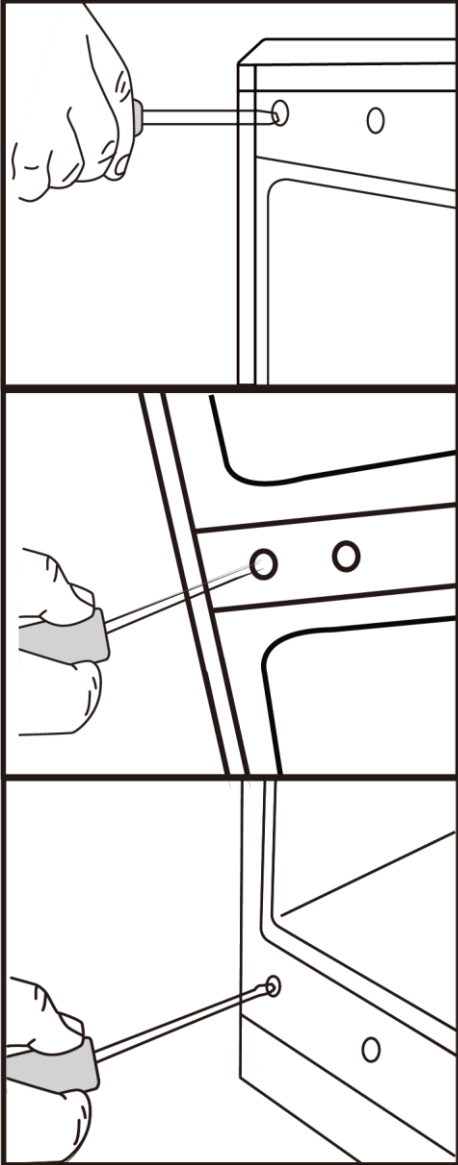
Once done, the seal will remain in position.



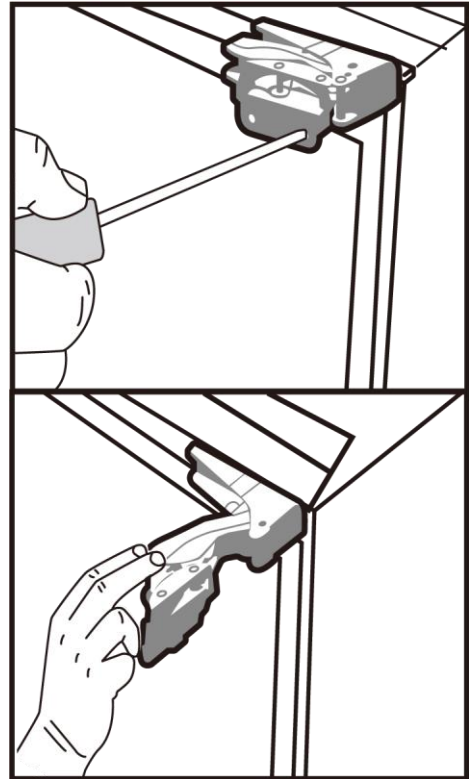
DOOR REVERSAL

CHANGE THE OPENING DIRECTION OF YOUR PRODUCT (1/2)

1. Remove the screw caps on the front of the product.



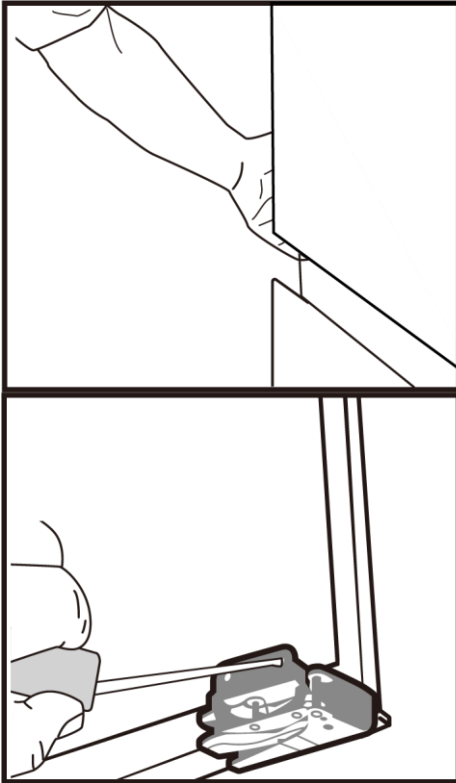
2. With the door closed remove the screws from the top and bottom hinges that hold the appliance door to the hinges. Remove the screws from the top hinge first. Support the door at the bottom and open the hinge away from the appliance door.



DOOR REVERSAL

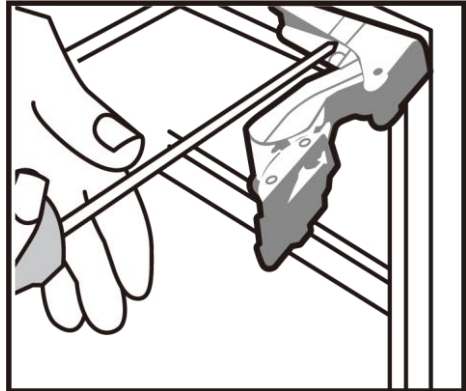
CHANGE THE OPENING DIRECTION OF YOUR PRODUCT (2/2)

3. Carefully lift the appliance door, ensuring you don't damage the hinges or the door.

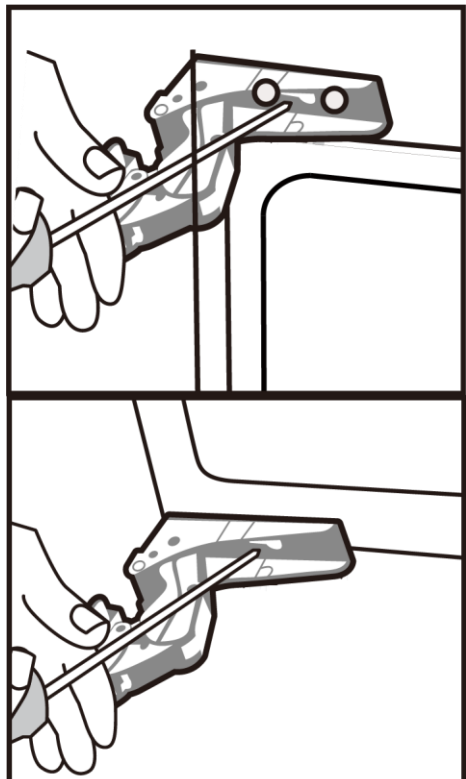


4. Use the same method to remove the other doors (if applicable)

5. With the top hinge open, remove the screws from the top hinge that fix the hinge to the cabinet of the appliance.



6. Flip over the top hinge by 180° and fix it in place on the diagonally opposite corner of the appliance cabinet (Upper hinge becomes lower and vice versa). Reattach the door by fixing the outside screws of the hinge to the door.



BEFORE FIRST USE

You must allow the unit to settle for at least twenty-four hours after transport prior to switching the power on. It is recommended that you clean the interior of the appliance prior to first use, using a solution of baking soda (sodium bicarbonate) and warm water and then thoroughly drying the interior. The unit may have an odor to it at first use. This will disappear as the unit cools.

Please note:

The unit will start with a default set temperature of 5°C (41°F) for fridge, 2°C (36°F) for special refrigerator compartment and -18°C (0°F) for freezer and work continuously until it achieves the correct temperatures. If the appliance is switched off, you should allow five minutes before switching it on again to prevent unnecessary strain to the compressor.

Never store inflammable or explosive items and strong corrosive acids or alkalis in the unit. This fridge cools your food by making the inner back of the cavity cold. It is normal for frost to build up on its surface; it then turns into liquid during compressor off-cycles and drains through a small drain at the bottom, where it evaporates harmlessly. The presence of frosting or moisture at the back is normal.

FIRST USE

Refrigerator storage

1. Never put liquids in the refrigerator uncovered.
2. Never put hot foods in the refrigerator. Warm food should be allowed to cool to room temperature before being put into the refrigerator.
3. Nothing should rest against the rear wall of the refrigerator, as this will cause frost and possible condensation problems which could be difficult to remove.
4. Make sure food is clean and any extra water is wiped away before putting into the refrigerator.
5. Wrap or cover food before putting into the fridge. This will help prevent the loss of moisture, keep food fresh and avoid unpleasant odors.
6. Any foods to be used soon should be stored at the front of the shelf to prevent deterioration caused by the door being open for prolonged periods.
7. Do not overfill the refrigerator. There should be sufficient space between the foods to allow the cool air to circulate.
8. Thawing frozen foods in the refrigerator compartment will help to keep the temperature low and save energy.
9. Never store raw meats on shelves above cooked meats or other produce. This will help to prevent juices from raw meat contaminating other food items.

Freezer storage

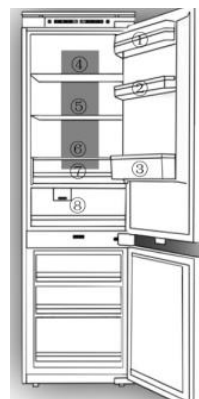
1. The freezer compartments are designed to store only frozen food.
2. Never put hot or warm foods in the freezer, allow them to cool fully before putting them into the freezer.
3. Follow the instructions on the food packaging for storage of frozen food. If no information is provided, foods should not be stored for more than three months after the purchase date.
4. Store food in small packages (ideally less than 1 kg / 2.2 lbs). This reduces the freezing time and improves the quality of the food after thawing.
5. Wrap food before putting into the freezer. To stop the wrapping sticking together, ensure it is dry.
6. Label the food before freezing with information including type of food and dates of storage and expiry.
7. Once food is thawed, it must not be refrozen. Only defrost as much food as is required to prevent waste.
8. Bottled or canned drinks should not be stored in the freezer compartments as they could explode.
9. The maximum amount of fresh food that can be frozen within a 24-hour period is 3 kg / 6.6 lbs.
10. Do not attempt to freeze more than the maximum amount.

STORAGE INSTRUCTION

The refrigerator section is for short-term food storage. Although low temperatures can be maintained, extended periods of food storage are not recommended.

As the cold air circulates within the fridge, the temperature can vary between the different sections. As such, foods should be stored in different sections according to type.

1. Butter, cheese, etc.
2. Food in jars and bottles
3. Drinks, e.g. milk
4. Cooked food
5. Yoghurts, preserves, etc.
6. 75 ml / 2.5 oz bottles or ready meals, etc.
7. Fresh meat and fish
8. Fruit and vegetables



- The shelves can be moved according to the storage requirements within the refrigerator section.
- To move the shelf, lift the rear section up and then pull it outwards.
- To replace, slide the shelf back into the slot, and then lower the rear section.

Refrigerator storage

- ◆ Never put uncovered liquids in the refrigerator
- ◆ Never put hot foods in the refrigerator. Warm food should be allowed to cool to room temperature before being put into the refrigerator
- ◆ Nothing should rest against the rear wall of the refrigerator, as this will cause frost and possible condensation problems which will be difficult to remove
- ◆ Make sure food is clean and any extra water is wiped away before putting into the fridge
- ◆ Wrap or cover food before putting into the refrigerator. This will help prevent the loss of moisture, keep food fresh and avoid unpleasant odors
- ◆ Do not overfill the refrigerator. There should be sufficient space between the foods to allow the cool air to circulate
- ◆ Thawing frozen foods in the refrigerator compartment will help to keep the temperature low and save energy
- ◆ Never store raw meats on shelves above cooked meats or other produce

Freezer storage

- ◆ The freezer compartments are designed to store only frozen food
- ◆ Never put hot or warm foods in the freezer, allow them to cool fully before putting them into the freezer
- ◆ Follow the instructions on the food packaging for storage of frozen food. If no information is provided, foods should not be stored for more than three months after the purchase date
- ◆ Store food in small packages (ideally less than 1 kg / 2.2 lbs). This reduces the freezing time and improves the quality of the food after thawing
- ◆ Once food is thawed, it must not be refrozen. Only defrost as much food as is required to prevent waste
- ◆ Bottled or canned drinks should not be stored in the freezer compartments as they could explode
- ◆ The maximum amount of fresh food that can be frozen within a 24-hour period is 3 kg / 6.6 lbs. Do not attempt to freeze more than the maximum amount

STORAGE INSTRUCTION

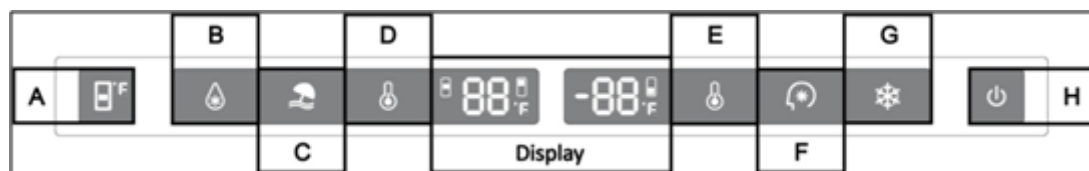
Fresh zone

- ◆ The fresh zone means that you can control its temperature independently.
- ◆ Fresh zone temperature ranges from -3°C (27 °F) to 3°C (37 °F).
- ◆ The fresh zone is designed to make it easier to handle ingredients in a short period of time, when you handle frozen foods.
- ◆ Zero-degrees preservation technology guarantees a relatively stable, independent, very close to -3 °C (27 °F), but not less than -3 °C (27 °F) fresh-keeping compartment, maintaining a steady temperature level - so that the food will be kept fresh for a longer period of time and will not be frozen
- ◆ Suggestions for use: It is recommended to store fresh fish, fresh meat and dried fruit in condition of -2°C (28°F) to 0°C (32°F). Put the frozen ingredients into the fresh zone 4/5 hours before use, you can cut or cook frozen foods effortlessly and enjoy a faster and healthier cooking experience.
- ◆ It is recommended to store vegetables and fruits at 0°C (32°F) to 3°C (37°F).
- ◆ Note: If you want to store easy-drying ingredients such as meat into the zero-temperature zone for more than 4 hours, you should use plastic wraps to avoid excessive moisture loss and affect the taste.

Crisper drawer humidity adjustment

- ◆ The crisper drawer within this appliance features a humidity level adjustment slider. Vegetables and similar produce that are subject to wilting (e.g. arugula, spinach leaves, herbs such as basil etc.) should be kept in the crisper drawer and the adjustment slider kept closed (fully to the left - high). By keeping the adjustment slider closed, water vapor is held in the drawer and subsequently greens are kept crisper and fresher for longer
- ◆ By contrast, fruits that are susceptible to rotting should be stored in the crisper drawer with the humidity adjustment slider fully open (to the right - low). This will allow gases, emitted by certain produce and that accelerate the rotting process, to exit the crisper drawer
- ◆ The drawer is marked high and low with vegetable and fruit symbols to aid you

CONTROLS



1. At first use, or after a power failure, the appliance always works at: 5°C (41 °F) for refrigerator, 0°C (32 °F) for fresh zone and -18°C (0 °F) for freezer. If you want to adjust the temperature or functions manually, press any button to activate the control panel.
2. Refrigerator temperature adjustment: press button **D** on left-hand part of control panel multiple times to cycle through temperatures from 2°C (36 °F) to 8°C (46 °F).
3. Freezer temperature adjustment: press button **E** on right-hand part of control panel multiple times to cycle through temperatures from -15°C (5 °F) to -25°C (-13 °F).
4. Fast-cooling function: press button **B**; button illuminates and fast cooling function is turned on, fridge will work automatically at temperature setting of 2°C (36 °F). Mode expires automatically after 24 hours operation and illumination of button ceases. Mode can be canceled manually by pressing the button again.
5. Holiday function: press button **C**; button illuminates, holiday function is turned on and whole appliance will work automatically at settings: fridge at 17°C (63 °F) and freezer at -18°C (0 °F).
6. Smart function: press button **F**; button illuminates, fridge compartment operates at setting 5°C (41 °F) and freezer compartment works at setting of -18°C (0 °F). The Fresh zone works at setting of 0°C (32 °F).
7. Fast-freezing function: press button **G**; button illuminates and freezer will operate at temperature setting -25°C (-13 °F). After 24 hours, fast freezing function quits automatically, or can be ended manually at any time by pressing the button again.
8. Press button **H** for 3 seconds to switch off your appliance: the button lights up indicating unit is powered but in a standby mode. Press the button **H** for 3 seconds to switch on your appliance.
9. Press the button **A** to temporarily turn on the display section corresponding to the fresh zone, press the button **A** again to adjust the temperature. Temperature ranges of fresh zone from -3°C (27 °F) to 3°C (37 °F).

10. Fault display

This unit has a 'Fault display & alarm' function. If a fault is detected, there are alarms displayed on the temperature display, the appliance still cools but professional service technician should be called to check the appliance.

F1 – Sensor of fridge evaporator

F2 – Sensor of fresh zone

F3 – Sensor of fridge compartment

F4 – Sensor of freezer compartment

F5 – Sensor of defrosting

2E – Fault of fan/motor in freezer

EC – Communication fault between main panel and display panel.

PS: Main board is located in the compressor compartment

DEFROSTING

The product has a no frost system which is designed to prevent the heavy build up of ice. Under normal use, there should be no need to regularly defrost the freezer system.

Please note: If you are regularly finding a heavy build up of ice, or pools of water, in the freezer section then it is likely that the door is not sealing properly. This could be due to a defective door seal or an incorrectly fitted, or overly heavy, decor door. For more information see the troubleshooting section on ice.

CARE AND CLEANING

Always disconnect the appliance from the outlet before any cleaning or maintenance.

The refrigerator and freezer sections should be cleaned using a solution of baking soda and lukewarm water. Do not use abrasive products or detergents. After washing, rinse and dry thoroughly.

Clean the shelves and door bins separately by hand with a mild solution of mild dish detergent and water. Do not put them in the dishwasher.

If the appliance is not to be used for prolonged periods of time, unplug and clean the appliance. The doors should be left slightly ajar to prevent the formation of mildew and unpleasant odors.

TROUBLE-SHOOTING

If you have any problems with your appliance, you should check the troubleshooting prior to calling Customer Care.

If the appliance is not working, check:

That there is power to the appliance.

The house fuses are intact and the fuse in the plug has not blown.

The unit has not been turned off.

The outlet is functioning fine. To check this, plug another electrical appliance in to see if the socket is faulty.

If the appliance is working, but not very well, check:

The appliance is not overloaded.

The thermostat is set to an appropriate temperature.

The doors are closing properly.

The cooling system at the rear of the appliance is clean and free of dust, and not touching the rear wall.

There is enough ventilation at the side and rear walls.

If the appliance is noisy, check:

The appliance is level and stable.

The side and rear walls are clear, and there is nothing resting on the appliance.

Note: The cooling gas in the refrigerator may make a slight bubbling or gurgling noise, even when the compressor is not running.

If the appliance is beeping, check:

That the doors are closed. An alarm will sound after 60 seconds of a door being open.

If ice has formed on the back wall of the fridge:

It is normal for some ice droplets to form on the back wall of the fridge. This does not constitute a fault with the appliance.

Ensure that no items inside the fridge are in contact with the back wall.

Check that there is some resistance when opening the door of the appliance. If it opens at the slightest touch it may mean that the door seal needs to be replaced.

Check the door seal for any kinks, debris or damage. If you notice any, and are unable to resolve the issue yourself, contact Customer Care so that the seal can be replaced.

This can be due to the door panel(s) not being properly fitted. If you are at all unsure, ask your installer to check the door panel(s).

If excessive ice has formed in the freezer:

Check that there is some resistance when opening the door of the appliance. If it opens at the slightest touch it may mean that the door seal needs to be replaced.

Check the door seal for any debris or damage. If you notice any, and are unable to resolve the issue yourself, contact Customer Care so that the seal can be replaced.

This can be due to the door panel(s) not being properly fitted. If you are at all unsure, ask your fitter to check the door panel(s).

If one or more of the LED units within the appliance is not working:

Contact Customer Care to arrange a service visit.

WARRANTY

SMEG REFRIGERATOR WARRANTY FULL TWO-YEAR WARRANTY

For **two years** from the date of the original purchase, SMEG USA, Inc. ("SMEG") will repair or replace (at its option) any part of the refrigerator which fails due to a defect in materials or workmanship. During this full **two-year** warranty, SMEG will provide, free of charge all labor and in-home service to repair or replace the defective **part(s)**. **This warranty is valid for properties designated for residential use only.**

LIMITED THIRD THROUGH FIFTH YEAR WARRANTY

For the period from **the third year**, from the date of the original purchase, through the fifth year, SMEG will repair or replace (at its option) any **part(s)** of the sealed refrigeration system (consisting of the compressor, **exposed evaporator, exposed condenser, drier, original refrigerant, and original connecting tubing**) which fails in normal home use. If any new part is required, this will be supplied by SMEG free of charge. All other costs, including labor to repair or replace the defective part **or parts**, mileage, transportation, trip charge and diagnostic charge, if required, shall be the responsibility of the owner.

This warranty is valid only for the United States of America and Canada and **applies** only when the appliance is used in the country in which it was purchased. Outside the United States of America and Canada, this warranty does not apply. **This warranty can be transferred.**

WARRANTY

EXCLUSIONS

This warranty does not cover any defect or damage, which is not the direct fault of SMEG USA or Smeg S.p.A.; this includes, but is not limited to:

1. Service trips to your residence to instruct you on how to use the product.
2. Service trips to your residence during which no fault is found.
3. Damages occurred during transit, handling and/or installation of the product.
4. Damages occurred in case the product has not been installed duly following the manufacturer's installation instructions, as well as any and all local codes or regulations. This warranty does not cover any performance issue related to improper installation.
5. Damages to the product due to failure in following the manufacturer's recommended care, cleaning and maintenance instructions. This warranty does not cover any performance issue related to improper care, cleaning or maintenance.
6. Any repair, modification, alteration, or adjustment performed by any person or service company not authorized by SMEG or its service partners.
7. Failure of the product if it is abused, misused or used for other than the intended purpose or if used in a commercial or industrial environment. Commercial and industrial are defined as an environment where the product is used for a business purpose or profit-generating activity.
8. If the appliance is installed to an incorrect electric current, voltage, circuit breaker rating, extension cord, transformer, or power supply.
9. Damage to electronic parts resulting from a power surge.
10. Improper setting of any control on the appliance that requires service.
11. Replacement of residential circuit breakers or resetting of circuit breakers.
12. Replacement of light bulbs or LED lights.
13. Replacement of water filter (on certain models) due to expired date or external issues.
14. Replacement of air filter (on certain models) due to expired date or external issues.
15. Normal wear and tear of the appliance or its cosmetic part(s). Wear and Tear is defined as scratches, dents, or other damage to the finish of the appliance unless it is the result of defects in material or workmanship and is reported to an authorized service partner within 30 days from date of purchase.
16. Any substance, accumulating in or on any part or component of the product that causes a performance issue.
17. Damages to anything situated next to the product, including but not limited to, ceiling, floor, wall, or cabinets. Products that are installed in cabinets or other built-in furniture that are not accessible for service. Smeg is also not responsible for disassembly or the reassembly of cabinets.
18. The warranty does not cover any food loss due to refrigeration or product failures.
19. Damage to the product caused by accident, fire, floods or act(s) of God.
20. Expenses for travel and transportation to locations more than 30 miles from an authorized SMEG servicer.
21. Products where the original serial numbers have been removed, damaged or defaced.
22. NOTE: The cost of labor repair or any replacement part(s) for the above EXCLUSIONS will be the responsibility of the appliance owner.
23. Any appliance that is replaced or defective part replaced shall become Smeg's property.
24. This warranty is not valid for and does not apply for appliances installed on boats, ships, yachts or any other marine vessel.
25. This warranty is not valid for and does not apply for appliances installed on passenger, cargo, commercial or private aircraft.
26. This warranty is not valid for and does not apply for appliances installed on RV's, house trailers, mobile homes or any other structure which can be transported from one location to another.

The remedies described above are the only ones which SMEG will provide, either under this warranty or under any warranty arising by operation of law. SMEG will not be responsible for any consequential or incidental damages arising from the breach of this warranty or any other warranty, whether express, implied or statutory.

Some states do not allow the exclusion or limitation of incidental or consequential damages. This warranty gives you specific legal rights, and you may also have other rights which vary from state to state. To know what your legal rights are, consult your local state consumer affairs office or your state's Attorney General.

WARRANTY

How to Obtain Service, Inquiries on Parts or Technical Questions:

- **Within the United States: contact ADCO, SMEG USA's service partner at 1.888.763.4782**
- **Within Canada: contact Euro-Parts, SMEG USA's service partner at 1.844.778.7634**

**For all other inquiries please email
service@smegservice.com**

**IMPORTANT: YOU MUST REGISTER YOUR PRODUCT
WITHIN 30 DAYS FROM DATE OF PURCHASE.
IN THE US, CONTACT ADCO SERVICE: 1.888.763.4782
IN CANADA, CONTACT EURO-PARTS CANADA:
1.884.778.7634**

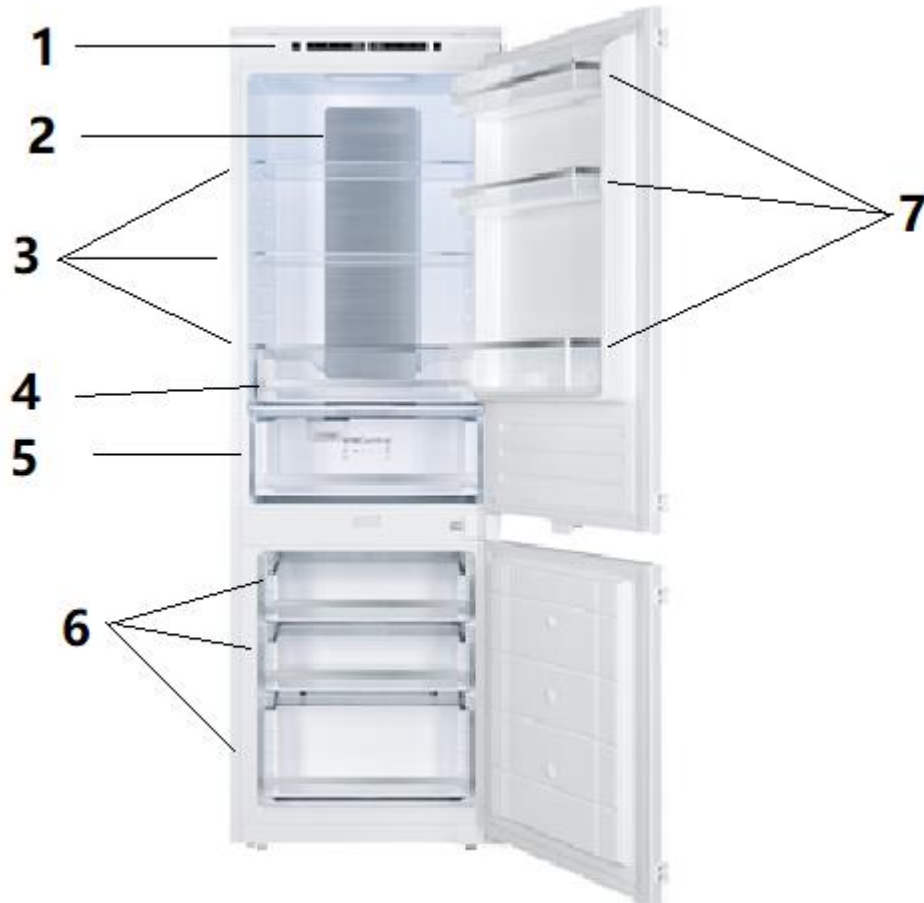
CONTENIDO

NOTA IMPORTANTE -----	25
COMPONENTES EL EQUIPO -----	26
CONDICIONES DE INSTALACIÓN Y OPERACIÓN DEL EQUIPO -----	27
APERTURA DE PUERTA -----	29
INSTRUCCIONES DE INSTALACIÓN -----	31
ANTES DE USAR -----	35
INSTRUCCIONES DE ALMACENAJE -----	37
CONTROLES -----	39
DE-FROSTING -----	40
LIMPIEZA Y CUIDADO -----	41
SOLUCIÓN DE PROBLEMAS -----	42
GARANTÍA-----	43

NOTA IMPORTANTE

1. Algunas provisiones en este manual de usuario aplican a equipos de refrigeración de distintos tipos p.e. (para un refrigerador, refrigerador-congelador o congelador) El fabricante no se hará responsable de daños causados por no cumplir con las indicaciones contenidas en este manual. Referirse a la póliza de garantía.
2. Conserve el manual para referencias futuras o para proporcionarlo a un usuario posterior.
3. El equipo opera adecuadamente en una temperatura ambiente de 16 °C (61°F) a 32 °C (90°F). No usarlo en condiciones fuera de esta recomendación.
4. Al colocar, levantar o mover el equipo, no sujetarlo de las manijas de las puertas, no jale el condensador en la parte de atrás del equipo y no toque el compresor.
5. Al transportar, mover o re acomodar el equipo, no lo incline en un ángulo superior a 40° respecto a su posición vertical. En caso de que esa situación se presente, el equipo no debe encenderse en al menos 2 horas.
6. Desconecte la clavija de la toma de corriente antes de realizar cualquier mantenimiento.
7. El “crujido”, que el equipo puede llegar a emitir es por la expansión y contracción de sus partes como consecuencia de las variaciones de temperatura durante los ciclos de enfriamiento y defrost.
8. Por razones de seguridad nunca intente reparar el equipo usted mismo. Reparaciones por personal si las calificaciones adecuadas, puede generar daños al usuario o al equipo.
9. No re congele productos previamente descongelados.
10. No guarde bebidas en botella o lata, en especial bebidas carbonatadas en el compartimento de congelación. Las latas y botellas podrían explotar.
11. No ponga productos congelados recién sacados del congelador (dulces, hielos, etc.) en su boca, las bajas temperaturas podrían causar quemaduras por frío extremo.
12. Asegúrese de no dañar el sistema de enfriamiento al pinchar los tubos de refrigerante en el evaporador o rompiendo los tubos. El refrigerante es inflamable. Si el refrigerante tiene contacto con los ojos, enjuagar de inmediato con agua limpia y buscar ayuda médica de inmediato.
13. Este equipo esta diseñado para almacenar comida y bebidas. No usar con otros propósitos.
14. Al realizar actividades tales como limpieza, mantenimiento o re-acomodo del equipo, el equipo debe desconectarse completamente de la fuente de energía (desconectando la clavija de la toma mural o bajando la pastilla breaker)
15. Este equipo no debe ser manejado por niños menores de 8 años o por personas con discapacidades físicas, mentales o sensoriales, o por cualquier persona no familiarizada con el uso del equipo, a menos que sean supervisados o instruidos en como usar el equipo correctamente y se han familiarizado con los riesgos asociados con el uso del equipo. Asegúrese que los niños no jueguen con el equipo, la limpieza y mantenimiento del equipo no debe realizarse por niños a menos que sean mayores de 8 años y estén supervisados por una persona competente.

COMPONENTES DEL EQUIPO

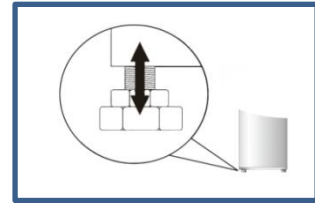


1. Panel de control
2. Panel de flujo de aire
3. Estantes de cristal
4. Cajón para vegetales
5. Zona fresca
6. Cajones
7. Anaqueles de puerta

CONDICIONES DE INSTALACIÓN Y OPERACIÓN DEL EQUIPO

Instalación antes de usar el equipo por primera vez

- Asegúrese que hay suficiente espacio al rededor del equipo para asegura su correcto funcionamiento. Un espacio libre de 1 cm / 1/4 pulgada es requerido atrás del equipo para que el aire pueda circular para enfriar el compresor y condensador. Deben haber 30 cm / 12 pulgadas encima del refrigerador.
- Asegúrese que el equipo está nivelado usando las patas ajustables frontales.



Distancia mínima de fuentes de calor

- De un horno eléctrico o a gas - 30 mm / 1 pulgada,
- De un horno de leña, aceite o carbón - 300 mm / 12 pulgadas,
- De hornos integrados - 50 mm / 2 pulgadas
- Si es imposible mantener las distancias mínimas recomendadas, coloque un panel aislante entre los equipos.

CONDICIONES DE INSTALACIÓN Y OPERACIÓN DEL EQUIPO

Conectar a la alimentación eléctrica

- Este equipo debe conectarse a un contacto eléctrico AC 120V/60Hz. El contacto debe ajustar correctamente y debe contar con entrada triple y estar protegido por un fusible de 15A.
- Es requerimiento que el equipo esté correctamente aterrizado a tierra. El fabricante no se hace responsable por ningún daño o accidente causado por no cumplir este requerimiento.
- No utilice multicontactos, adaptadores o extensiones.
- Revise la placa del equipo en la parte interna para encontrar especificaciones detalladas.

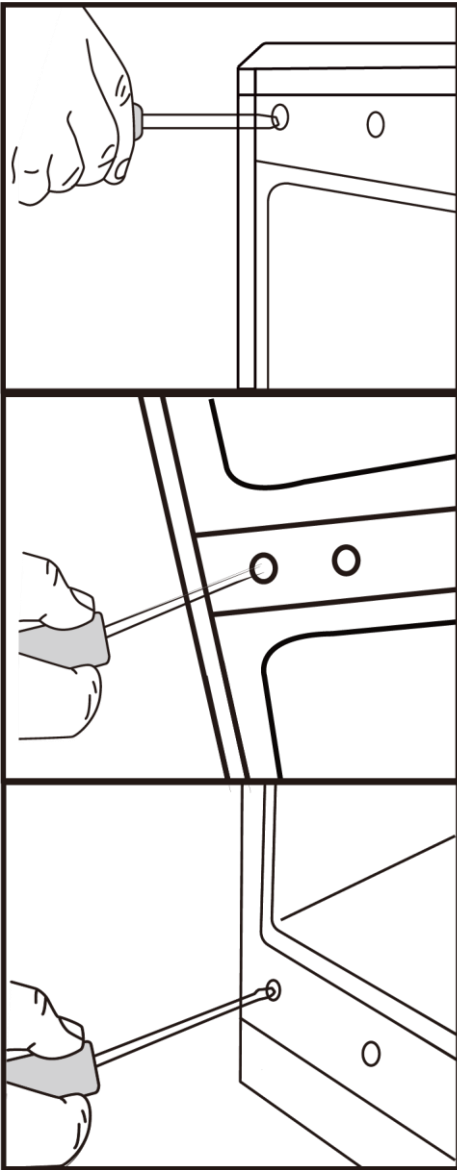
Desconectar de la alimentación eléctrica

- Asegúrese que el equipo puede ser fácilmente desconectado de la alimentación eléctrica, ya sea desconectando la clavija de la toma mural o apagando el breaker.

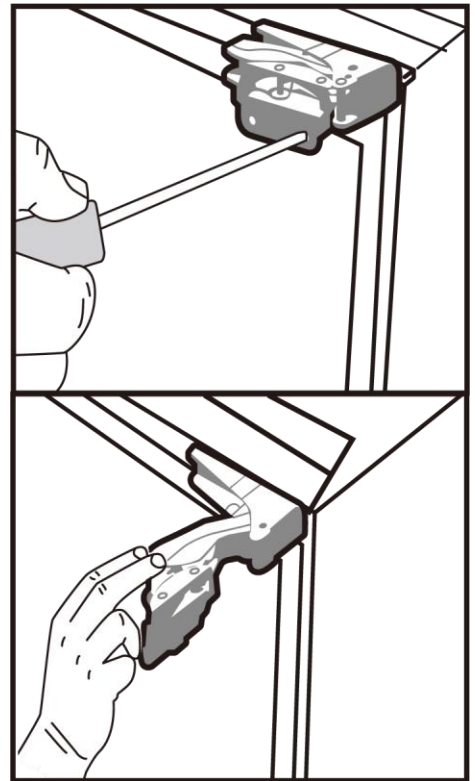
APERTURA DE PUERTA

CAMBIE LA DIRECCIÓN DE APERTURA DE SU PRODUCTO (1/2)

1. Retire las cubiertas de los tornillos al frente del equipo.



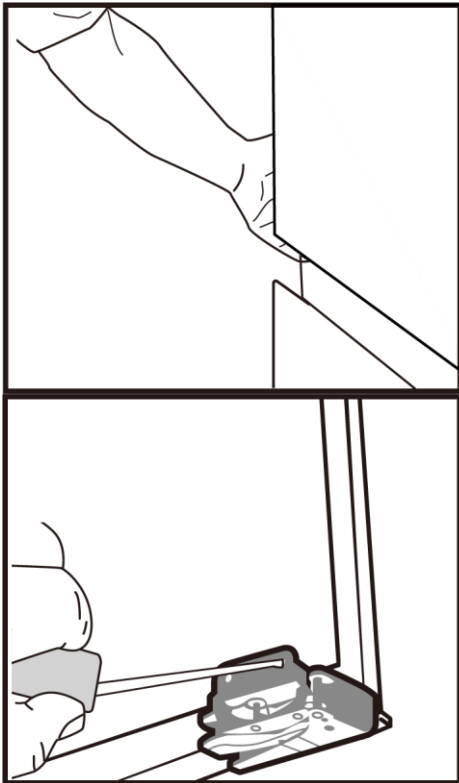
2. Con las puertas cerradas, retire los tornillos de la parte de arriba y abajo de las bisagras que unen la puerta del equipo y las bisagras. Retire los tornillos de la bisagra superior primero, sostenga la puerta de la parte inferior y abra la bisagra.



APERTURA DE PUERTA

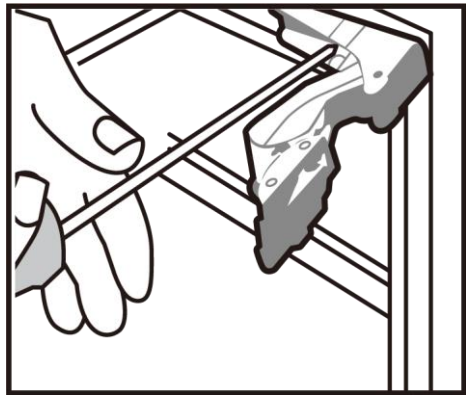
CAMBIE LA DIRECCIÓN DE APERTURA DE SU PRODUCTO (2/2)

3. Con cuidado levante y retire la puerta, asegurándose de no dañar la puerta o las bisagras.



4. En caso de aplicar usar el mismo método en las otras puertas.

5. Con la bisagra superior abierta, retire los tornillos que sujetan la bisagra al gabinete del equipo.



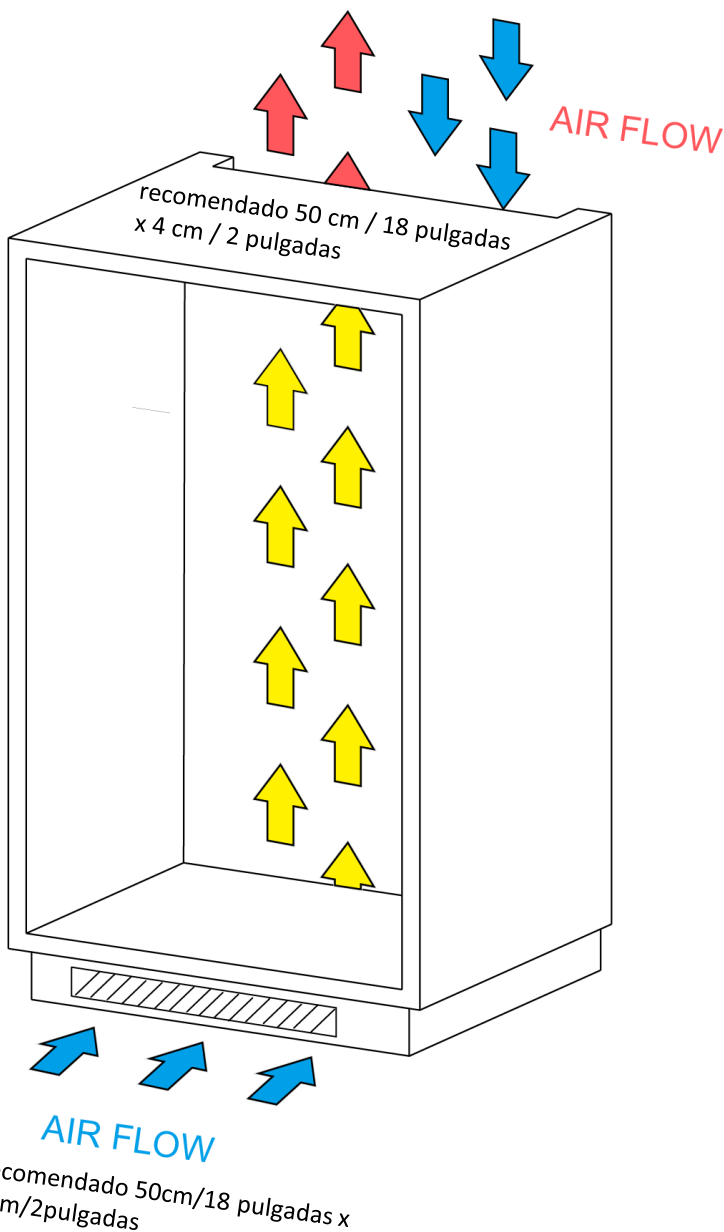
6. Gire la bisagra (180°) y fijela en su lugar es la esquina opuesta del gabinete del equipo (la bisagra superior se instala como bisagra inferior y vice versa). Fije nuevamente la puerta colocando los tornillos exteriores de la bisagra a la puerta.



INSTRUCCIONES DE INSTALACIÓN

La principal consideración al instalar cualquier refrigerador en una cocina debe ser la ventilación. El calor extraído de la unidad de refrigeración/congelación debe ser disipado a la atmósfera. Una ventilación incorrecta puede generar una falla en el compresor, consumo excesivo de energía eléctrica, acumulación de humedad y moho, falla total del sistema y la invalidación de la garantía suministrada con el equipo.

Fara los productos destinados a ser empotrados los siguientes requerimientos deben ser cumplidos.



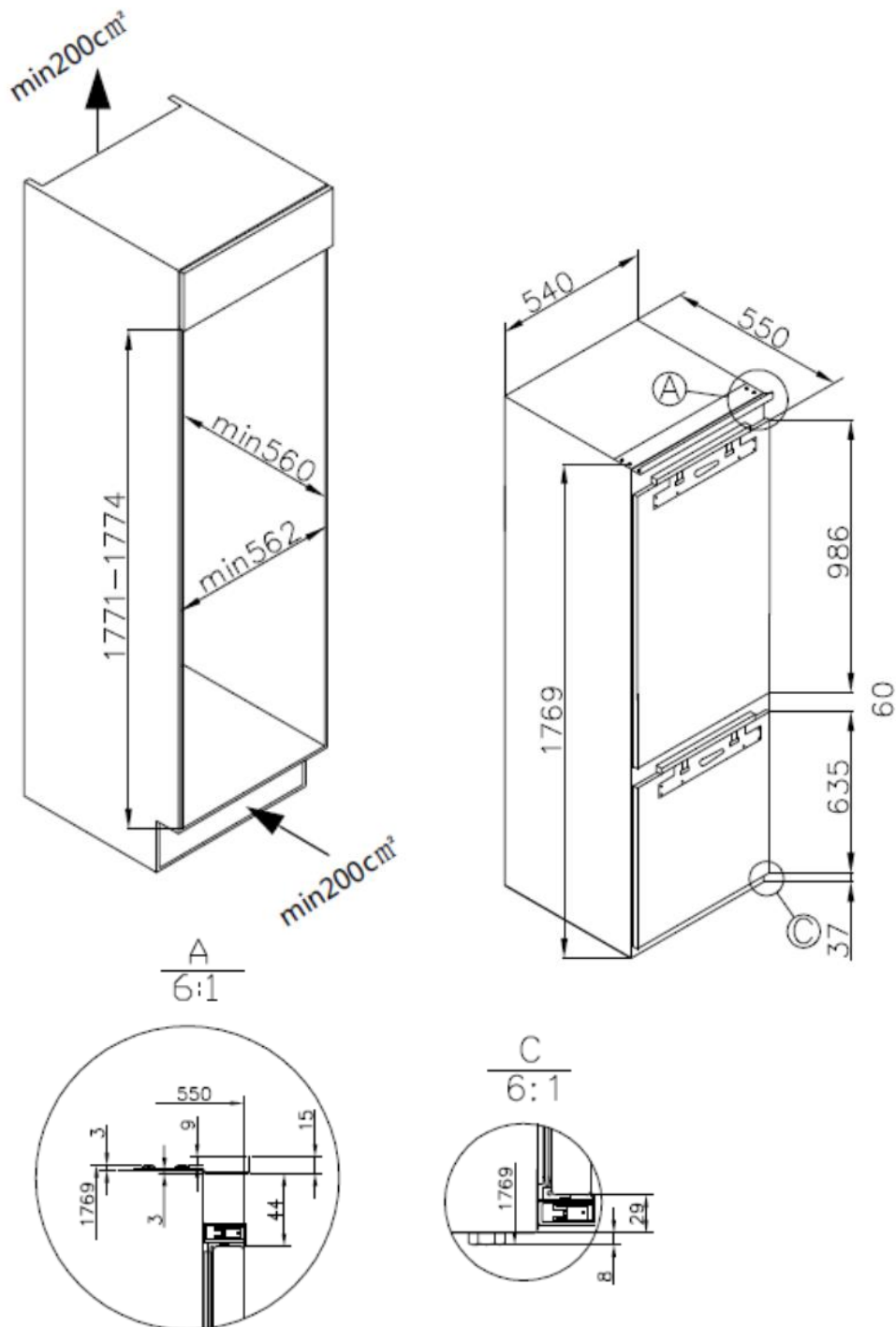
Un paso de aire debe dejarse en la parte alta del gabinete para permitir un libre flujo saliendo y entrando.

Debe haber espacio detrás del gabinete para permitir que el aire frio llegue hasta el condensador

Un corte debe hacerse en la parte baja del panel de la puerta del refrigerador-congelador dejando para montar una rejilla de ventilación . Como alternativa se puede dejar un espacio bajo el panel para permitir el flujo de aire (recomendado 50cm/18pulgadas x 4cm/ 2pulgadas)

INSTRUCCIONES DE INSTALACIÓN

DIMENSIONES REQUERIDAS DE ESPACIO



INSTRUCCIONES DE INSTALACIÓN

Empuje el equipo con cuidado dentro del gabinete, asegúrese que el equipo está centrado en el espacio. Siga los siguientes pasos para montar el panel de la puerta, asegurándose de que la puerta se pueda abrir y cerrar correctamente, luego apriete los tornillos en la parte superior e inferior.

Montaje del soporte de la puerta del gabinete

Retire la cubierta decorativa blanca

Fig. 1- levantándolo hacia arriba.

Fig.2- Obtenga las siguientes medidas:

Dimensión B = medida desde el superficie inferior del techo del armario hasta la parte inferior del soporte de fijación.

Dimensión C = Determine qué espacio le gustaría entre el techo del gabinete o el panel de arriba.

A menudo, esto se alineará con las puertas de los gabinetes adyacentes

Fig.3 - Montaje del soporte del panel de la puerta

Reste C de B y coloque el soporte de fijación (2) en su lugar usando esta medida para la posición vertical y el centro horizontalmente.

Fije el soporte de fijación (2) con tornillos (1) x8.

Fig.4 - Montaje de la puerta del gabinete

Coloque la puerta del gabinete sobre la puerta del aparato insertando los pernos de ajuste en las ranuras del soporte de fijación. Localice las arandelas y atornille las tuercas en los

pernos de ajuste. No apriete completamente aún

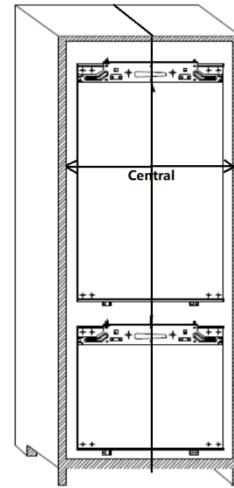


Fig 1

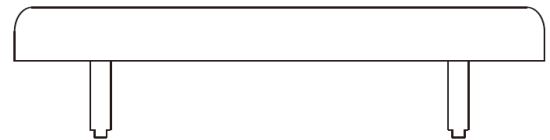


Fig 2

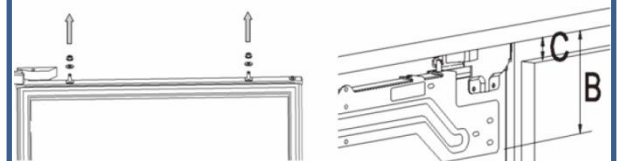


Fig 3

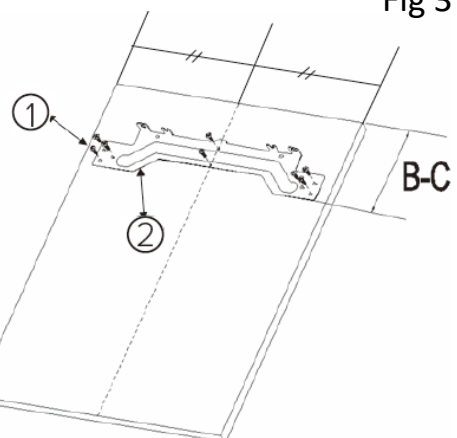
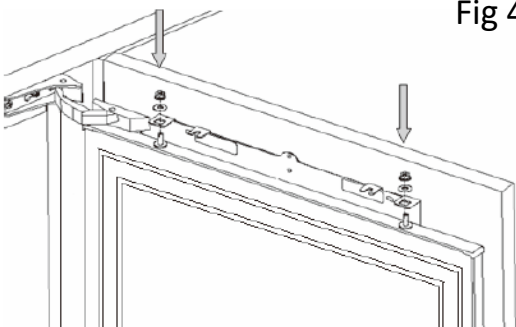


Fig 4



INSTRUCCIONES DE INSTALACIÓN

Fig.5 - Alineación de la puerta del panel

Cierre la puerta y verifique la alineación con la puerta de la otra unidad (si aplica) o los gabinetes adyacentes. Ajuste la puerta del gabinete atornillando o desatornillando los pernos de ajuste / alineación del ángulo para el ajuste vertical y con la ayuda de las ranuras en el soporte de fijación para otras direcciones. Fije los tornillos en su lugar como se muestra en la Fig.5.

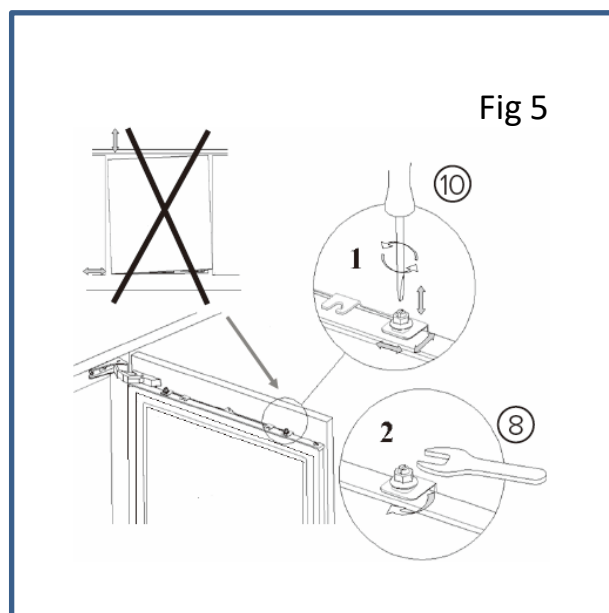
Montaje de los soportes inferiores de la puerta del armario

Con la puerta del aparato abierta, ubique los soportes de fijación inferiores de la puerta metálica y atornille el soporte a la puerta del gabinete. Es posible que deba quitar y volver a colocar estos soportes según el estilo de puerta del gabinete utilizado.

Colocación de la cubierta decorativa

Vuelva a colocar la cubierta decorativa que quitó en el primer paso en el soporte superior de la puerta del gabinete.

Compruebe que todo el conjunto de la puerta funcione sin problemas y que los sellos de la puerta sigan creando un buen sello.



Nota: si escucha madera tocar madera cuando se cierra una puerta, es posible que el panel de la puerta esté en contacto con el lateral del gabinete y posiblemente impida un sello hermético de la junta. Ajuste el panel más separado de la puerta del equipo para asegurar un pequeño espacio entre el panel del gabinete y el lateral.

Asegurar que la puerta selle correctamente:

Es normal que el sello se comprima después de que la puerta se haya invertido.

Con la puerta cerrada, use un secador de pelo para expandir el sello y llenar el espacio entre la puerta y el cuerpo del aparato.

Tenga cuidado de no utilizar el secador de pelo demasiado cerca del aparato, ya que podría dañar la junta.

Una distancia de aproximadamente 10 cm / 4 pulgadas debería ser suficiente.

Cuando termine, deje que el sello y la puerta se enfríen antes de tocarlos.

Una vez hecho esto, el sello permanecerá en su lugar.

ANTES DEL PRIMER USO

Debe permitir que el equipo repose durante al menos veinticuatro horas después del transporte antes de encenderla. Se recomienda que limpie el interior del aparato antes del primer uso, utilizando una solución de bicarbonato de sodio y agua tibia y luego seque completamente el interior. La unidad puede tener un aroma al principio. Esto desaparecerá cuando la unidad se enfríe.

Tenga en cuenta:

La unidad arancará con una temperatura predeterminada de 5 °C (41 °F) para el refrigerador, 2 °C (36 °F) para el compartimiento especial del refrigerador y -18 °C (0 °F) para el congelador y funcionará continuamente hasta que alcance las temperaturas correctas. Si el aparato está apagado, debe esperar cinco minutos antes de volver a encenderlo para evitar un esfuerzo innecesario en el compresor. Nunca almacene artículos inflamables o explosivos y ácidos o alcalinos corrosivos en la unidad. Este equipo enfría la comida enfriando la parte interior de la cavidad. Es normal que se acumule escarcha en su superficie; esta se convertirá en líquido durante los ciclos de apagado del compresor y es drenada a través de un pequeño orificio en la parte inferior, donde se evapora sin causar daño. La presencia de escarcha o humedad en el fondo es normal.

PRIMER USO

Uso del refrigerador

1. Nunca coloque líquidos sin tapar en el refrigerador.
2. Nunca ponga alimentos calientes en el refrigerador. Los alimentos calientes deben dejarse enfriar a temperatura ambiente antes de guardarlos en el refrigerador.
3. Nada debe apoyarse contra la pared trasera del refrigerador, ya que esto provocará escarcha y posibles problemas de condensación que podrían ser difíciles de eliminar.
4. Asegúrese de que los alimentos estén limpios y de que se elimine el exceso de agua antes de guardarlos en el refrigerador.
5. Envuelva o cubra los alimentos antes de ponerlos en el refrigerador. Esto ayudará a prevenir la pérdida de humedad, mantendrá la comida fresca y evitará olores desagradables..
6. Los alimentos que se utilizarán pronto deben almacenarse en la parte delantera del estante para evitar el deterioro causado por la apertura de la puerta durante períodos prolongados.
7. No llene demasiado el refrigerador. Debe haber suficiente espacio entre los alimentos para permitir que circule el aire frío.
8. Descongelar alimentos congelados en el compartimiento del refrigerador ayudará a mantener baja la temperatura y ahorrará energía.
9. Nunca almacene carnes crudas en estantes encima de carnes cocidas u otros productos. Esto ayudará a evitar que los jugos de la carne cruda contaminen otros alimentos.

Uso del congelador

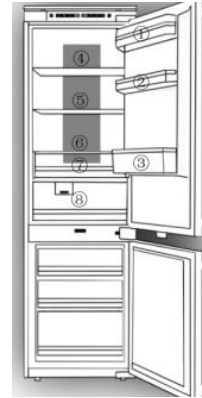
1. Los compartimentos del congelador están diseñados para almacenar solo alimentos congelados.
2. Nunca ponga alimentos calientes o tibios en el congelador, deje que se enfríen completamente antes de ponerlos en el congelador.
3. Siga las instrucciones del empaque de alimentos para almacenar alimentos congelados. Si no se proporciona información, los alimentos no deben almacenarse durante más de tres meses después de la fecha de compra.
4. Almacene los alimentos en paquetes pequeños (idealmente menos de 1 kg / 2 lbs). Esto reduce el tiempo de congelación y mejora la calidad de los alimentos después de descongelarlos.
5. Envuelva los alimentos antes de ponerlos en el congelador. Para evitar que el envoltorio se pegue, asegúrese de que esté seco.
6. Etiquete los alimentos antes de congelarlos con información que incluya el tipo de alimento y las fechas de almacenamiento y caducidad.
7. Una vez descongelados los alimentos, no se deben volver a congelar. Descongele únicamente la cantidad de alimentos necesaria para evitar el desperdicio.
8. Las bebidas embotelladas o enlatadas no deben almacenarse en los compartimentos del congelador, ya que podrían explotar.
9. La cantidad máxima de alimentos frescos que se pueden congelar en un período de 24 horas es de 3 kg / 6.6 lbs.
10. No intente congelar más de la cantidad máxima.

INSTRUCCIONES DE ALMACENAJE

La sección del refrigerador es para el almacenamiento de alimentos a corto plazo. Aunque se pueden mantener bajas temperaturas, no se recomiendan períodos prolongados de almacenamiento de alimentos.

A medida que el aire frío circula dentro del frigorífico, la temperatura puede variar entre las distintas secciones. Como tal, los alimentos deben almacenarse en diferentes secciones según el tipo.

1. Mantequilla, queso etc.
2. Comida en tarros y botellas
3. Bebidas p.e leche
4. Comida cocinada
5. Yogurts, preservados, etc.
6. Botellas 75 ml / 2.5 oz o comidas reparadas, etc.
7. Pescado y carne fresca
8. Frutas y vegetales



- Los estantes se pueden mover de acuerdo con los requisitos de almacenamiento dentro de la sección del refrigerador.
- Para mover el estante, levante la sección trasera y luego tire de ella hacia afuera.
- Para reemplazarlo, deslice el estante nuevamente en la ranura y luego baje la sección trasera.

Almacenaje en el Refrigerador

- ◆ Nunca coloque líquidos sin tapar en el refrigerador.
- ◆ Nunca ponga alimentos calientes en el refrigerador. Los alimentos calientes deben dejarse enfriar a temperatura ambiente antes de guardarlos en el refrigerador.
- ◆ Nada debe apoyarse contra la pared trasera del refrigerador, ya que esto provocará escarcha y posibles problemas de condensación que podrían ser difíciles de eliminar.
- ◆ Asegúrese de que los alimentos estén limpios y de que se elimine el exceso de agua antes de guardarlos en el refrigerador.
- ◆ Envuelva o cubra los alimentos antes de ponerlos en el refrigerador. Esto ayudará a prevenir la pérdida de humedad, mantendrá la comida fresca y evitará olores desagradables..
- ◆ Los alimentos que se utilizarán pronto deben almacenarse en la parte delantera del estante para evitar el deterioro causado por la apertura de la puerta durante períodos prolongados.
- ◆ No llene demasiado el refrigerador. Debe haber suficiente espacio entre los alimentos para permitir que circule el aire frío.
- ◆ Descongelar alimentos congelados en el compartimiento del refrigerador ayudará a mantener baja la temperatura y ahorrará energía.
- ◆ Nunca almacene carnes crudas en estantes encima de carnes cocidas u otros productos. Esto ayudará a evitar que los jugos de la carne cruda contaminen otros alimentos.

Almacenaje en el Congelador

- ◆ Los compartimientos del congelador están diseñados para almacenar solo alimentos congelados.
- ◆ Nunca ponga alimentos calientes o tibios en el congelador, deje que se enfríen completamente antes de ponerlos en el congelador.
- ◆ Siga las instrucciones del empaque de alimentos para almacenar alimentos congelados. Si no se proporciona información, los alimentos no deben almacenarse durante más de tres meses después de la fecha de compra.
- ◆ Almacene los alimentos en paquetes pequeños (idealmente menos de 1 kg / 2 lbs). Esto reduce el tiempo de congelación y mejora la calidad de los alimentos después de descongelarlos.
- ◆ Envuelva los alimentos antes de ponerlos en el congelador. Para evitar que el envoltorio se pegue, asegúrese de que esté seco.
- ◆ Etiquete los alimentos antes de congelarlos con información que incluya el tipo de alimento y las fechas de almacenamiento y caducidad.
- ◆ Una vez descongelados los alimentos, no se deben volver a congelar. Descongele únicamente la cantidad de alimentos necesaria para evitar el desperdicio.

INSTRUCCIONES DE ALMACENAJE

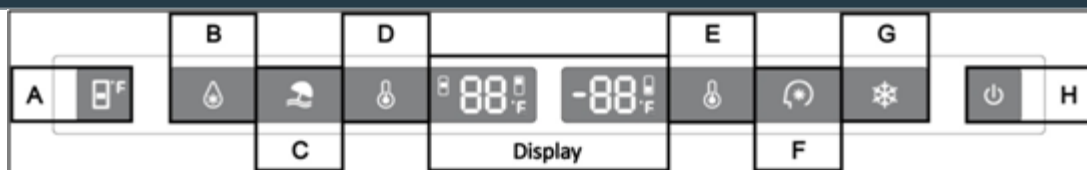
ZONA FRESCA

- ◆ La zona fresca puede controlar su temperatura de forma independiente.
- ◆ La temperatura de la zona fresca varía de -3 °C (27 °F) a 3 °C (37 °F).
- ◆ La zona fresca está diseñada para facilitar la manipulación de los ingredientes en un corto período de tiempo, al manejar alimentos congelados.
- ◆ La tecnología de conservación de cero grados garantiza un compartimento de conservación de alimentos relativamente estable, independiente, muy cercano a -3 °C (27 °F), pero no menos de -3 °C (27 °F), manteniendo un nivel de temperatura constante, de modo que los alimentos se mantendrá frescos durante un período de tiempo más largo sin congelarse.
- ◆ Sugerencias de uso: Se recomienda almacenar pescado fresco, carne fresca y frutos secos en condiciones de -2 °C (28 °F) a 0 °C (32 °F). Coloque los ingredientes congelados en la zona fresca 4/5 horas antes de usarlos, para cortar o cocinar los alimentos congelados sin esfuerzo y disfrute de una experiencia de cocción más rápida y saludable.
- ◆ Se recomienda almacenar verduras y frutas entre 0 (32 °F) y 3 °C (37 °F).
- ◆ Nota: Si desea almacenar ingredientes de fácil secado, como la carne, en la zona de temperatura cero durante más de 4 horas, debe usar envoltorios de plásticos para evitar una pérdida excesiva de humedad y afectar el sabor.

Ajuste de la humedad del cajón de verduras

- ◆ El cajón para verduras dentro de este electrodoméstico cuenta con un control deslizante de ajuste del nivel de humedad. Las verduras y productos similares que están sujetos a marchitarse (por ejemplo, rúcula, hojas de espinaca, hierbas como albahaca, etc.) deben guardarse en el cajón para verduras y el control deslizante de ajuste debe mantenerse cerrado (completamente hacia la izquierda - alto). Al mantener el control deslizante de ajuste cerrado, el vapor de agua se mantiene en el cajón y, posteriormente, las verduras se mantienen más frescas y frescas durante más tiempo.
- ◆ Por el contrario, las frutas que son susceptibles de pudrirse deben almacenarse en el cajón para frutas y verduras con el control deslizante de ajuste de humedad completamente abierto (hacia la derecha - abajo). Esto permitirá que los gases emitidos por ciertos productos y que aceleran el proceso de descomposición salgan del cajón para verduras.
- ◆ El cajón está marcado alto y bajo con símbolos de frutas y verduras para ayudarlo.

CONTROLES



1. En el primer uso, o después de un corte de energía, el aparato siempre funciona a: 5 °C (41 °F) para el refrigerador, 0 °C (32 °F) para la zona fresca y -18 °C (0 °F) para el congelador. Si desea ajustar la temperatura o las funciones manualmente, presione cualquier botón para activar el panel de control.
2. Ajuste de la temperatura del refrigerador: presione el botón **D** en la parte izquierda del panel de control varias veces para alternar las temperaturas de 2 °C (36 °F) a 8 °C (46 °F).
3. Ajuste de la temperatura del congelador: presione el botón **E** en la parte derecha del panel de control varias veces para recorrer las temperaturas de -15 °C (5 °F) a -25 °C (-13 °F).
4. Función de enfriamiento rápido: presione el botón **B**; El botón se ilumina y la función de enfriamiento rápido se encenderá, el refrigerador funcionará automáticamente a una temperatura de 2 °C (36 °F). El modo expira automáticamente después de 24 horas de funcionamiento y apaga la iluminación del botón. El modo se puede cancelar manualmente presionando el botón nuevamente.
5. Función vacaciones: presione el botón **C**; El botón se ilumina, la función de vacaciones está encendida y todo el electrodoméstico funcionará automáticamente en las configuraciones: refrigerador a 17 °C (63 °F) y congelador a -18 °C (0 °F).
6. Función inteligente: presione el botón **F**; El botón se ilumina, el compartimento del frigorífico funciona en el ajuste 5 °C (41 °F) y el compartimento del congelador funciona en el ajuste de -18 °C (0 °F). La zona fresca funciona con un ajuste de 0 °C (32 °F).
7. Función de congelación rápida: presione el botón **G**; El botón se ilumina y el congelador funcionará a una temperatura de -25 °C (-13 °F). Después de 24 horas, la función de congelación rápida se cierra automáticamente o se puede finalizar manualmente en cualquier momento presionando el botón nuevamente.
8. Presione el botón **H** durante 3 segundos para apagar su aparato: el botón se ilumina indicando que la unidad está encendida pero en modo de espera. Pulse el botón H durante 3 segundos para encender su aparato nuevamente.
9. Presione el botón **A** para encender temporalmente la sección de visualización correspondiente a la zona fresca, presione el botón **A** nuevamente para ajustar la temperatura. Rangos de temperatura de la zona fresca de -3 °C (27 °F) a 3 °C (37 °F).
10. Visualización de errores: Esta unidad tiene la función de "visualización de errores y alarma". Si se detecta una falla, se muestran alarmas en la pantalla de temperatura, el aparato aún enfría, pero se debe llamar a un técnico de servicio profesional para que revise el aparato

F1 – Sensor de evaporador del congelador

F2 – Sensor de zona fresca

F3 – Sensor de compartimento de refrigeracion

F4 – Sensor de compartimento de congelacion

F5 – Sensor de defrosting

2E – Falla del motor del ventilador del congelador

EC – Falla de comunicación entre el panel principal y el display.

PS: La tarjeta principal se encuentra en el compartimento del compresor

DEFROSTING

El producto tiene un sistema de Defrosting que está diseñado para evitar la acumulación de hielo. Durante el uso normal, no debería ser necesario descongelar regularmente el sistema del congelador.

Tenga en cuenta: Si encuentra regularmente una gran acumulación de hielo o charcos de agua en la sección del congelador, Es probable que la puerta no selle correctamente. Esto podría deberse a una junta de la puerta defectuosa, un montaje incorrecto, o

Un panel de puerta demasiado pesada. Para obtener más información, consulte la sección de solución de problemas.

LIMPIEZA Y CUIDADOS

Siempre desconecte el equipo del toma corriente antes de cualquier limpieza o mantenimiento.

Las secciones del refrigerador y del congelador deben limpiarse con una solución de bicarbonato de sodio y agua tibia. No utilice productos abrasivos ni detergentes. Después del lavado, enjuague y seque bien.

Limpie los estantes y los compartimentos de las puertas por separado a mano con una solución suave de detergente para platos suave y agua. Nos son aptos para lavado en lavavajillas.

Si el aparato se va a dejar de utilizar durante períodos prolongados, desconéctelo y límpielo. Las puertas deben dejarse entreabiertas para evitar la formación de moho y olores desagradables.

SOLUCIÓN DE PROBLEMAS

Si tiene algún problema con su electrodoméstico, debe verificar la solución de problemas antes de llamar a Atención al Cliente.

Si el aparato no funciona, verifique:

Que hay alimentación en el aparato.

Los fusibles de la casa están en buen estado y el fusible del enchufe no se ha fundido.

La unidad no se encuentra apagada.

El enchufe está funcionando bien. Para comprobar esto, conecte otro equipo para ver si el enchufe está dañado.

Si el aparato funciona, pero no correctamente, verifique:

El aparato no está sobrecargado.

El termostato está ajustado a una temperatura adecuada.

Las puertas cierran correctamente.

El sistema de refrigeración de la parte trasera del aparato está limpio y sin polvo, y no está tocando la pared trasera.

Hay suficiente ventilación en las paredes laterales y traseras.

Si el equipo hace ruido, verifique:

El aparato está nivelado y es estable.

Las paredes laterales y traseras están despejadas y no hay nada apoyado sobre el equipo.

Nota: El gas de enfriamiento en el refrigerador puede hacer un leve ruido de burbujeo o gorgoteo, incluso cuando el compresor no está funcionando.

Si el aparato emite un pitido, compruebe:

Que las puertas estén cerradas. Sonará una alarma después de 60 segundos de que se abra una puerta.

Si se ha formado hielo en la pared trasera del equipo:

Es normal que se formen algunas gotas de hielo en la pared trasera del frigorífico. Esto no constituye una falla en el aparato.

Asegúrese de que ningún artículo del interior del frigorífico esté en contacto con la pared trasera.

Compruebe que haya cierta resistencia al abrir la puerta del aparato. Si se abre con el menor toque, puede significar que es necesario reemplazar el sello de la puerta.

Revise el sello de la puerta en busca de torceduras, suciedad o daños. Si nota alguno y no puede resolver el problema usted mismo, comuníquese con Atención al cliente para que se pueda reemplazar el sello.

Esto puede deberse a que los paneles de la puerta no están instalados correctamente. Si no está seguro, pídale a su instalador que revise los paneles de la puerta.

Si se ha formado demasiado hielo en el congelador:

Compruebe que haya cierta resistencia al abrir la puerta del aparato. Si se abre con el menor toque, puede significar que es necesario reemplazar el sello de la puerta.

Revise el sello de la puerta en busca de torceduras, suciedad o daños. Si nota alguno y no puede resolver el problema usted mismo, comuníquese con Atención al cliente para que se pueda reemplazar el sello.

Esto puede deberse a que los paneles de la puerta no están instalados correctamente. Si no está seguro, pídale a su instalador que revise los paneles de la puerta.

GARANTÍA

SMEG GARANTÍA DEL REFRIGERADOR 12 MESES DE GARANTÍA

Por **12 MESES** a partir de la fecha de la compra original, SMEG MÉXICO, Inc. ("SMEG") reparará o reemplazará (a su elección) cualquier pieza del refrigerador que falle debido a un defecto en los materiales o la mano de obra. Durante estos **12 MESES** de garantía. SMEG proporcionará, sin cargo, toda la mano de obra y el servicio a domicilio para reparar o reemplazar la(s) **pieza(s)** defectuosa(s). **Esta garantía es válida para propiedades designadas únicamente para uso residencial.**

GARANTÍA LIMITADA DEL SEGUNDO AÑO

Durante el segundo **año**, desde la fecha de la compra original, SMEG reparará o reemplazará (a su elección) cualquier **parte** del sistema de refrigeración sellado (que consiste en el compresor, **evaporador expuesto, condensador expuesto, secador, refrigerante original y tubería de conexión**) que falla en el uso doméstico normal. Si se requiere alguna pieza nueva, SMEG la proporcionará de forma gratuita.

Todos los demás costos, incluyendo la mano de obra para reparar o reemplazar la pieza **o piezas** defectuosas, el kilometraje, el transporte, el cargo por viaje y el cargo por diagnóstico, si es necesario, serán responsabilidad del propietario.

Esta garantía solo es válida para los Estados Unidos de América y Canadá y se **aplica** solo cuando el aparato se use en el país en el que se compró. Fuera de los Estados Unidos de América y Canadá, esta garantía no aplica. **Esta garantía se puede transferir.**

GARANTÍA

EXCLUSIONES

Esta garantía no cubre ningún defecto o daño que no sea culpa directa de SMEG MÉXICO o SMEG S.p.A.; esto incluye, pero no se limita a:

1. Viajes de servicio a su residencia para instruirle **sobre** cómo utilizar el producto.
2. Viajes de servicio a su residencia durante los cuales no se encuentre ninguna falla.
3. Daños ocasionados durante el transporte, manipulación y/o instalación del producto.
4. Daños ocasionados en caso de que el producto no se haya instalado debidamente siguiendo las instrucciones de instalación del fabricante, así como todos los **códigos o regulaciones** locales. **Esta garantía no cubre ningún problema de rendimiento relacionado con una instalación incorrecta.**
5. Daños **al producto** debido a fallas en el seguimiento de las instrucciones de cuidado, limpieza y mantenimiento recomendadas por el fabricante. **Esta garantía no cubre ningún problema de rendimiento relacionado con un cuidado, limpieza o mantenimiento inadecuados.**
6. Cualquier reparación, modificación, alteración o ajuste **realizado** por cualquier persona **o empresa de servicios** no autorizada por SMEG **o sus socios de servicio.**
7. Fallo del producto si se abusa, se usa incorrectamente o se usa para otro propósito que no sea el previsto **o si se usa en un entorno comercial o industrial. Comercial e industrial se definen como un entorno en el que el producto se utiliza con un propósito comercial o una actividad lucrativa.**
8. **Si el aparato se instala con una corriente eléctrica incorrecta, voltaje, capacidad nominal del circuito de protección, cable de extensión, transformador o fuente de alimentación.**
9. **Daño a las partes electrónicas como resultado de una sobrecarga de energía.**
10. Configuración incorrecta de cualquier control **en el aparato que requiera servicio.**
11. Reemplazo de **disyuntores** residenciales o reajuste de disyuntores.
12. Reemplazo de bombillas o luces LED.
13. Reemplazo del filtro de agua (en ciertos modelos) debido a la fecha de caducidad o problemas externos.
14. Reemplazo del filtro de aire (en ciertos modelos) debido a la fecha de caducidad o problemas externos.
15. Desgaste normal **del aparato o de su(s) parte(s) cosmética(s). Desgaste y rotura se define como raspaduras, abolladuras u otros daños en el acabado electrodoméstico, a menos que sea el resultado de defectos en el material o la mano de obra y se informe a un socio de servicio autorizado dentro de los 30 días posteriores a la fecha de compra.**
16. Cualquier sustancia que se acumule en o sobre cualquier parte o componente del producto **que cause un problema de rendimiento.**
17. **Daños a cualquier elemento situado junto al producto, incluidos. Entre otros, el techo, el suelo, la pared o los armarios. Productos que se instalan en gabinetes u otros muebles empotrados que no son accesibles para el servicio. Smeg tampoco es responsable del desmontaje o montaje de los gabinetes.**
18. **La garantía no cubre ninguna pérdida de alimentos debido a fallas de refrigeración o del producto.**
19. Daño al producto causado por accidentes, incendios, inundaciones o actos fortuitos.
20. Gastos de viaje y transporte a ubicaciones a más de 48 kilómetros de un **servicio** autorizado por SMEG.
21. Productos cuyos números de serie originales se hayan eliminado, **dañado o desfigurado.**
22. **NOTA: El costo de la mano de obra de reparación o cualquier pieza de repuesto para las EXCLUSIONES anteriores será responsabilidad del propietario del electrodoméstico.**
23. Todo aparato que sea reemplazado o se sustituya una pieza defectuosa, pasará a ser propiedad de Smeg.
24. **Esta garantía no es válida ni se aplica a los electrodomésticos instalados en botes, barcos, yates o cualquier otra embarcación marina.**
25. **Esta garantía no es válida ni se aplica a los electrodomésticos instalados en aviones de pasajeros, de carga, comerciales o privados.**
26. **Esta garantía no es válida ni se aplica a los electrodomésticos instalados en vehículos recreativos, casas remolque, casas móviles o cualquier otra estructura que se pueda transportar de un lugar a otro.**

Los remedios descritos anteriormente son los únicos que proporcionará SMEG, ya sea bajo esta garantía o bajo cualquier garantía que surja por aplicación de la ley. SMEG no será responsable de ningún daño consecuente o incidental que surja del incumplimiento de esta garantía o de cualquier otra garantía, ya sea expresa, implícita o legal.

Algunos estados no permiten la exclusión o limitación de daños incidentales o consecuentes. Esta garantía le otorga derechos legales específicos y también puede tener otros derechos que varían de un estado a otro. Para saber cuáles son sus derechos legales, consulte con la oficina de asuntos del consumidor de su estado local o con el Fiscal General de su estado.

GARANTÍA

SI NECESITA ASISTENCIA TÉCNICA:

- PÓNGASE EN CONTACTO CON EL DISTRIBUIDOR QUE LE VENDIÓ EL APARATO, O - PÓNGASE EN CONTACTO ATENCIÓN A CLIENTES: 800-111-7634

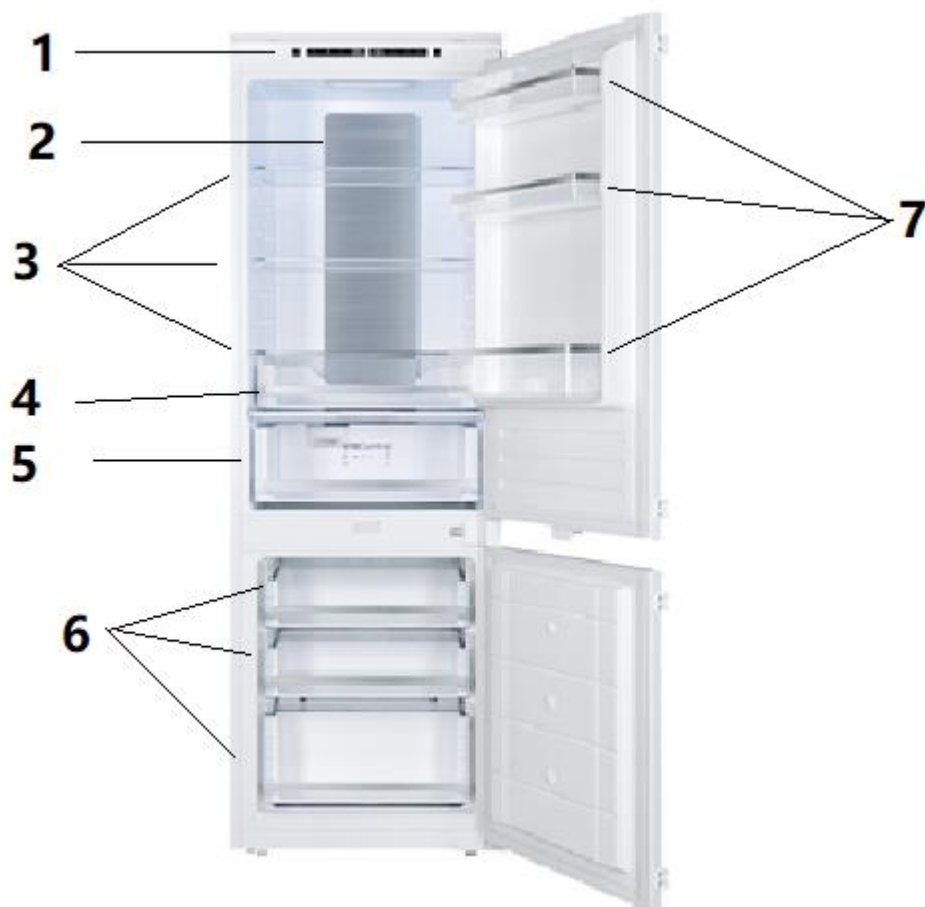
CONTENU

AVIS IMPORTANTS	47
COMPOSANTS DE L'APPAREIL	48
INSTALLATION ET CONDITIONS DE FONCTIONNEMENT DE L'APPAREIL	50
CHANGEMENT DU CÔTÉ D'OUVERTURE DE LA PORTE	51
INSTRUCTIONS D'INSTALLATION	53
AVANT LA PREMIÈRE UTILISATION	57
INSTRUCTIONS POUR L'ENTREPOSAGE	59
COMMANDES	61
DÉGIVRAGE	62
ENTRETIEN ET NETTOYAGE	63
DIAGNOSTIC DES ANOMALIES	64
GARANTIE	65

AVIS IMPORTANTS

1. Certaines dispositions de ce manuel d'utilisation s'appliquent à des produits de réfrigération de types différents, par exemple (pour un réfrigérateur, un réfrigérateur-congélateur ou un congélateur). Le fabricant ne saurait être tenu responsable des dommages résultant du non-respect des instructions contenues dans ce manuel. Veuillez vous reporter au livret de garantie.
2. Conservez ce manuel pour référence ultérieure ou pour l'utilisateur suivant.
3. L'appareil fonctionne correctement à une température ambiante de 16 à 32 °C (de 61 à 90 °F). Ne l'utilisez pas dans des conditions autres que celles recommandées.
4. Lorsque vous placez, déplacez ou soulevez l'appareil, ne le faites pas en tenant les poignées de la porte, ne tirez pas non plus sur le condenseur situé à l'arrière du réfrigérateur et ne touchez pas le compresseur.
5. Lors du transport, du déplacement ou du positionnement de l'appareil, ne l'inclinez pas de plus de 40° par rapport à la position verticale. Si vous devez incliner l'appareil davantage, ne l'allumez pas pendant au moins 2 heures après.
6. Retirez le bouchon de la prise de courant avant toute opération d'entretien.
7. Les « craquements » que l'appareil peut émettre sont provoqués par l'expansion et la contraction des pièces en raison des variations de température pendant ses cycles de refroidissement et de dégivrage.
8. Pour des raisons de sécurité, ne réparez jamais l'appareil vous-même. Des réparations effectuées par des personnes qui ne possèdent pas les qualifications requises pourraient entraîner des blessures graves pour l'utilisateur de l'appareil.
9. Ne recongelez pas des produits partiellement décongelés.
10. Ne stockez pas de boissons en bouteilles ou en canettes, en particulier des boissons gazeuses, dans le compartiment congélateur. Les canettes et les bouteilles pourraient exploser.
11. Ne placez pas de produits congelés, directement sortis du congélateur (bonbons, glaçons, etc.) dans votre bouche, car leur basse température pourrait provoquer des gelures graves.
12. Veillez à ne pas endommager le circuit de refroidissement en perforant la tubulure du fluide frigorigène dans l'évaporateur ou en brisant les tubes. Le fluide frigorigène est inflammable. Si le fluide frigorigène entre en contact avec les yeux, rincez-les à l'eau claire et appelez immédiatement un médecin.
13. Cet appareil est destiné au stockage d'aliments et de boissons. Ne l'utilisez pas à d'autres fins.
14. Lors de l'exécution d'activités telles que le nettoyage, l'entretien ou le déplacement, l'appareil doit être complètement déconnecté de son alimentation électrique (en retirant la fiche de la prise murale ou en désactivant le disjoncteur)
15. Cet appareil ne doit pas être utilisé par des enfants de moins de 8 ans ou par des personnes ayant un handicap physique, mental ou sensoriel, ou par des personnes qui n'ont pas l'expérience ou qui ne connaissent pas l'appareil, à moins qu'elles ne soient surveillées ou qu'elles n'aient reçu des instructions sur la manière d'utiliser l'appareil en toute sécurité et qu'elles n'aient été familiarisées avec les risques associés à son utilisation. Ne laissez pas des enfants jouer avec l'appareil. Le nettoyage et l'entretien de l'appareil ne doivent pas être effectués par des enfants, à moins qu'ils ne soient âgés de 8 ans ou plus, et qu'ils soient supervisés par une personne compétente.

COMPOSANTS DE L'APPAREIL

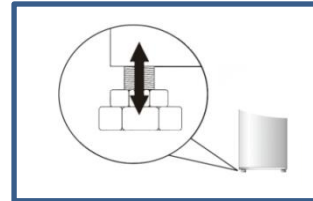


1. Panneau de commande
2. Panneau de conduit d'air
3. Étagères en verre
4. Bacs à légumes et fruits
5. Zone fraîche
6. Tiroirs
7. Bacs de porte

INSTALLATION ET CONDITIONS DE FONCTIONNEMENT DE L'APPAREIL

Installation avant d'utiliser l'appareil pour la première fois

- Assurez-vous qu'il y a suffisamment d'espace autour du réfrigérateur pour qu'il puisse fonctionner correctement. Un espace libre de 1 cm (¼ po) est nécessaire à l'arrière de l'appareil, afin que l'air puisse circuler pour refroidir le compresseur et le condenseur. Ainsi qu'un espace de 30 cm (12 po) au-dessus du réfrigérateur.
- Assurez-vous que l'appareil est bien horizontal en ajustant les 2 pieds avant réglables.



Distances minimales par rapport aux sources de chaleur

- des fours électriques, à gaz et autres : 30 mm (1 po)
- des fours à charbon ou à mazout : 300 mm (12 po)
- des fours encastrables : 50 mm (2 po)
- s'il n'est pas possible de s'assurer les distances spécifiées, placez un panneau isolant dans l'espace.

INSTALLATION ET CONDITIONS DE FONCTIONNEMENT DE L'APPAREIL

Branchez sur l'alimentation secteur

- Cet appareil doit être branché sur une prise secteur 120 V/60 Hz. La prise doit être installée correctement et doit être fournie avec un cordon d'alimentation muni d'une fiche à 3 broches et d'un fusible de 15 A.
- La mise à la terre de l'appareil est une obligation légale. Le fabricant ne pourra pas être tenu responsable de tout dommage ou blessure pouvant résulter du non-respect de cette exigence.
- N'utilisez pas d'adaptateurs, de prises multiples ou de cordons.
- Consultez la plaque signalétique située dans la partie inférieure de la paroi interne de l'appareil pour connaître les caractéristiques techniques détaillées**.

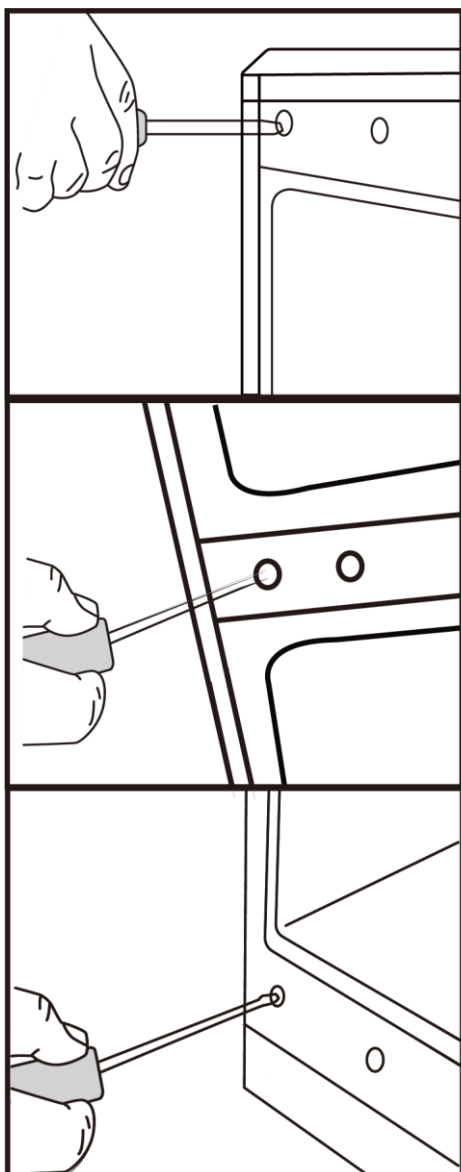
Déconnexion de l'alimentation électrique

- Assurez-vous que l'appareil peut être facilement débranché de la prise, soit en débranchant la fiche de la prise, soit en coupant le disjoncteur.

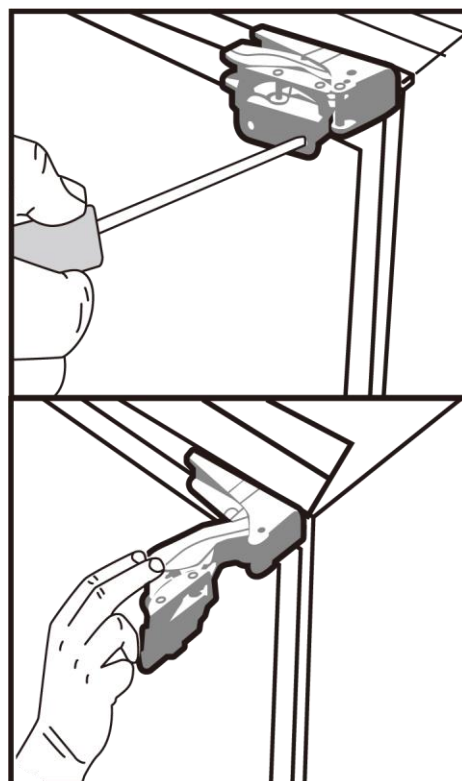
CHANGEMENT DU CÔTÉ D'OUVERTURE DE LA PORTE

CHANGEMENT DU CÔTÉ D'OUVERTURE DE LA PORTE DE VOTRE APPAREIL (1/2)

1. Retirez les bouchons à vis situés sur la partie avant du produit.



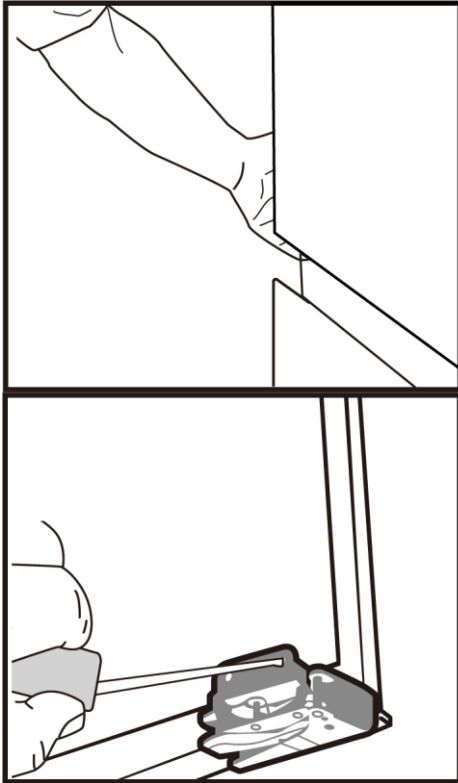
2. Avec la porte fermée, retirez les vis des charnières supérieure et inférieure qui maintiennent la porte de l'appareil aux charnières. Retirez d'abord les vis de la charnière supérieure. Soutenez la porte par dessous, puis ouvrez la charnière pour l'éloigner de la porte de l'appareil.



CHANGEMENT DU CÔTÉ D'OUVERTURE DE LA PORTE

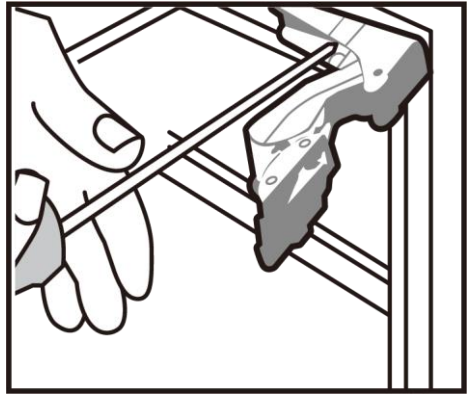
CHANGEMENT DU CÔTÉ D'OUVERTURE DE LA PORTE DE VOTRE APPAREIL (2/2)

3. Soulevez délicatement la porte de l'appareil, en veillant à ne pas endommager les charnières ou la porte.

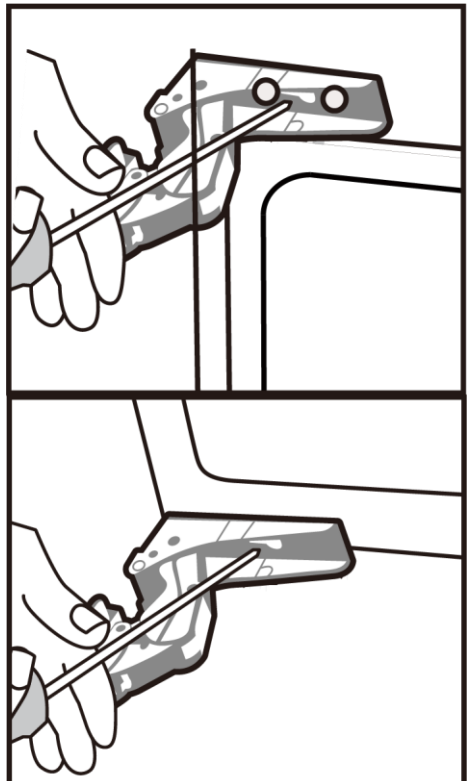


4. Utilisez la même méthode pour retirer les autres portes (le cas échéant)

5. Avec la charnière supérieure ouverte, retirez les vis de la charnière supérieure qui fixent la charnière à l'armoire de l'appareil.



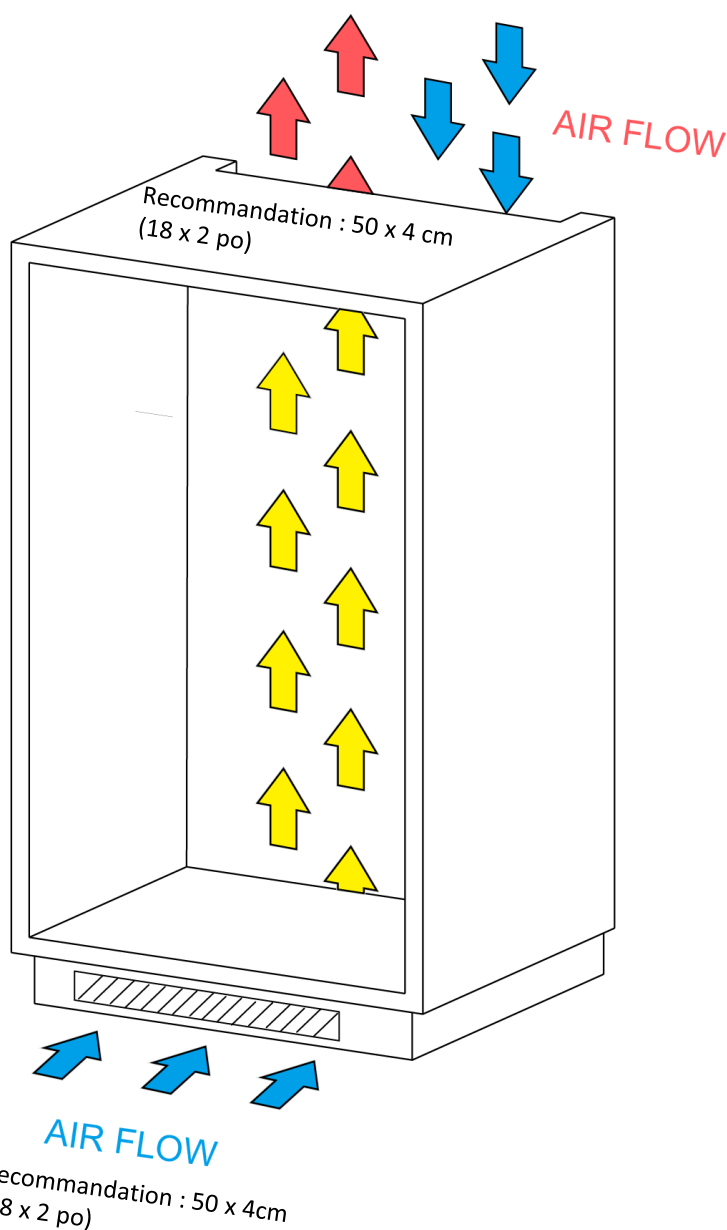
6. Retournez la charnière supérieure (à 180°), puis fixez-la dans le coin diagonalement opposé de l'armoire de l'appareil (la charnière supérieure devient la charnière inférieure et vice versa). Remettez la porte en place en fixant les vis extérieures de la charnière à la porte.



INSTRUCTIONS D'INSTALLATION

Lors de l'installation d'un appareil de réfrigération dans une cuisine personnalisée, la ventilation est la principale considération. La chaleur évacuée des compartiments de refroidissement et/ou de congélation doit être dissipée dans l'atmosphère. Une ventilation incorrecte peut entraîner une défaillance prématurée du compresseur, une consommation d'énergie excessive, une accumulation d'humidité et de la moisissure, une défaillance totale du système, et invalider la garantie fournie avec l'appareil.

Pour les produits destinés à être installés dans une armoire, les exigences suivantes doivent être remplies :



Un passage d'air doit être prévu dans la partie supérieure de l'armoire pour permettre à l'air libre d'entrer et de sortir.

Il doit exister un espace à l'arrière de l'armoire pour permettre à l'air froid d'être aspiré sur le condenseur.

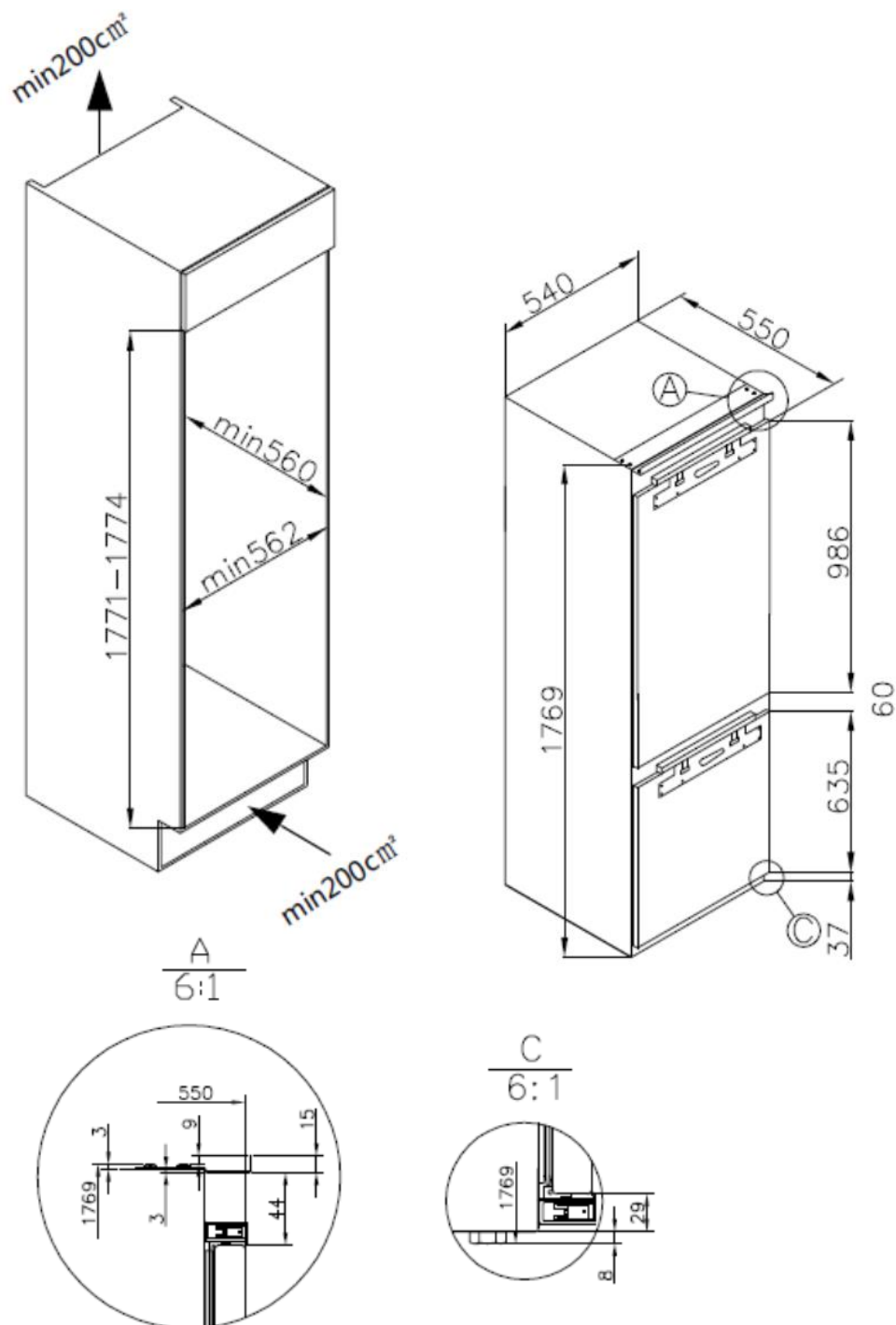
Une découpe doit être effectuée dans la plinthe sous le réfrigérateur-congélateur et finie proprement à l'aide de la grille d'aération.

Vous pouvez également retirer une fine partie de la plinthe pour laisser pénétrer de l'air dans l'appareil.

Recommandation : 50 x 4 cm
(18 x 2 po).

INSTRUCTIONS D'INSTALLATION

DIMENSIONS REQUISES DE LA CAVITÉ



INSTRUCTIONS D'INSTALLATION

Poussez délicatement l'appareil dans l'armoire en vous assurant qu'il est centré dans la cavité. Suivez les étapes ci-dessous pour installer le panneau de la porte de l'armoire, en vous assurant que la porte peut être ouverte et fermée correctement, puis serrez les vis en haut et en bas.

Réglage du support de la porte de l'armoire

Retirez le couvercle décoratif blanc

Figure 1- En le soulevant vers le haut.

Figure 2- Obtenez les mesures ci-dessous :

Dimension B = mesure entre la surface inférieure du plafond de l'armoire et le bas du support de fixation.

Dimension C = déterminez l'espacement que vous souhaitez entre le plafond de l'armoire ou le panneau au-dessus d'elle.

Souvent, cela s'alignera avec les portes d'armoires adjacentes.

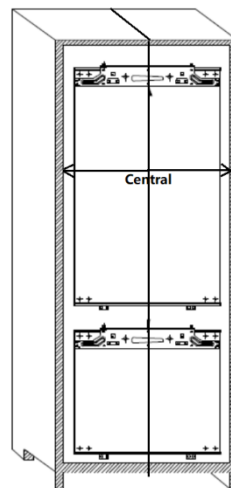


Figure 1

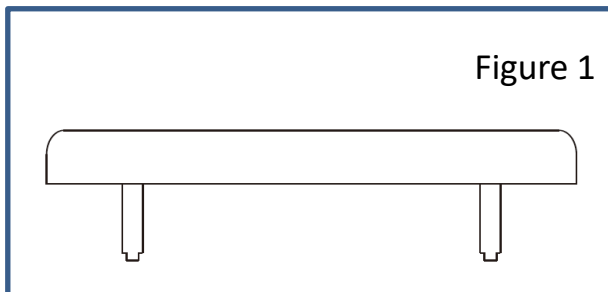


Figure 2

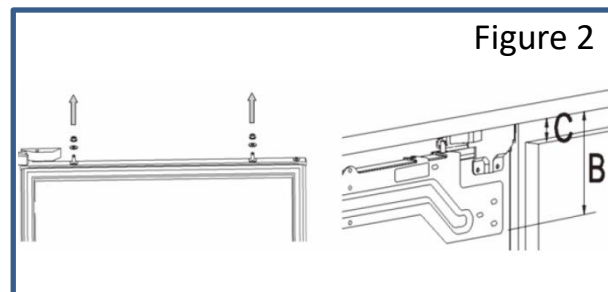


Figure 3

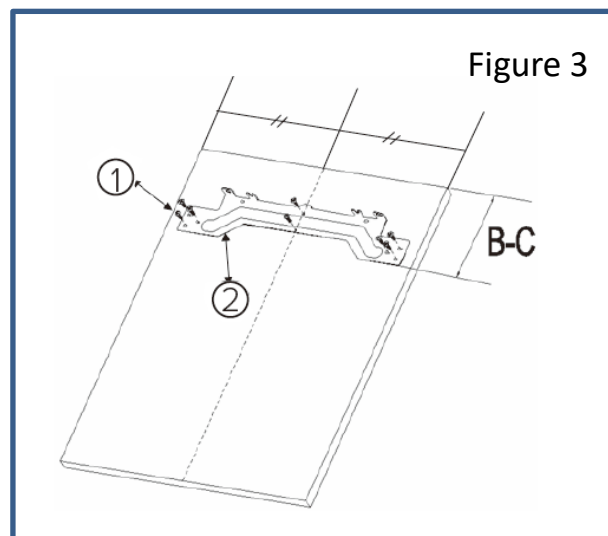


Figure 3 - Montage du support de la porte de décoration

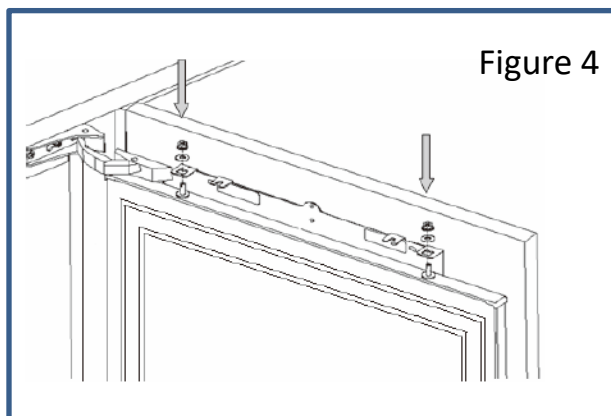
Soustrayez C de B et mettez le support de fixation (2) en place en utilisant cette mesure pour la position verticale et le centrer horizontalement.

Fixez le support de fixation (2) à l'aide des vis (1) x8.

Figure 4 - Montage de la porte de décoration

Placez la porte de l'armoire sur la porte de l'appareil en insérant des boulons de réglage dans les fentes du support de fixation. Localisez les rondelles et vissez les écrous sur les vis de réglage. Ne les serrez pas complètement pour l'instant.

Figure 4



INSTRUCTIONS D'INSTALLATION

Figure 5 - Alignement de la porte

Fermez la porte et vérifiez l'alignement avec la porte des autres appareils (le cas échéant) ou des armoires adjacentes. Ajustez la porte de l'armoire en vissant ou en dévissant les boulons de réglage et d'alignement de l'angle pour régler sa position verticale et à l'aide des fentes sur le support de fixation régler sa position dans les autres directions. Verrouillez les vis en place comme indiqué sur la Figure 5.

Montage des supports inférieurs de la porte de l'armoire

La porte de l'appareil étant ouverte, localisez les supports de fixation en métal inférieurs de la porte, puis vissez le support sur la porte de l'armoire. Selon le type de porte utilisé, vous devrez peut-être retirer et réinstaller ces supports.

Montage du couvercle décoratif

Remettez en place le couvercle décoratif que vous avez retiré lors de la première étape sur le support supérieur de la porte de l'armoire.

Vérifiez que l'ensemble de la porte fonctionne correctement et que les joints de la porte continuent à créer une bonne étanchéité.

Conseil : Si vous percevez un contact de bois à bois lorsque la porte se ferme, il est possible que le panneau de la porte entre en contact avec le pignon de l'armoire et empêche potentiellement un joint étanche. Éloignez le panneau de la porte de l'appareil, afin de laisser un petit espace entre le panneau de l'armoire et le pignon.

Assurez-vous de l'étanchéité de la porte :

Il est normal que le joint soit comprimé après l'inversion de l'orientation la porte.

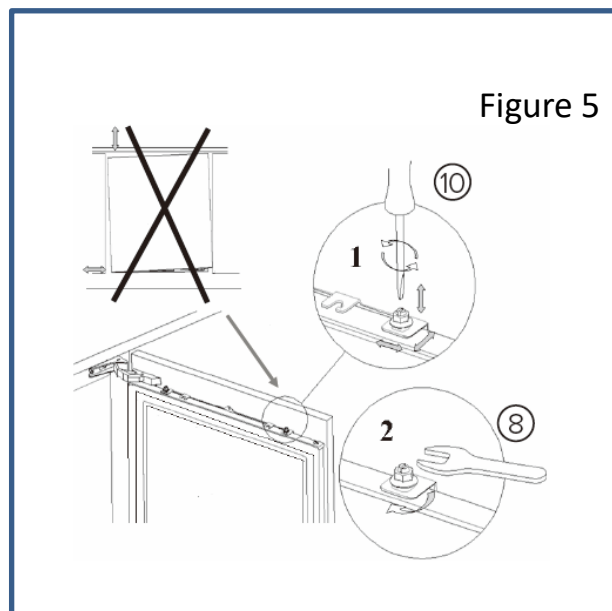
Une fois la porte fermée, utilisez un sèche-cheveux pour détendre le joint et combler l'espace entre la porte et le corps de l'appareil.

Veillez à ne pas utiliser le sèche-cheveux trop près de l'appareil, car cela pourrait endommager le joint.

Une distance d'environ 10 cm (4 po) devrait être adéquate.

Une fois l'opération terminée, laissez le joint et la porte refroidir avant de les toucher.

Après cela, le joint reste en position.



AVANT LA PREMIÈRE UTILISATION

Vous devez laisser l'appareil reposer pendant au moins vingt-quatre heures après le transport et avant de le mettre sous tension. Il est recommandé de nettoyer l'intérieur de l'appareil avant la première utilisation en utilisant une solution de bicarbonate de soude et d'eau chaude, puis de sécher complètement l'intérieur. L'appareil peut dégager une odeur lors de sa première utilisation. Elle disparaîtra à mesure que l'appareil se refroidira.

Remarque importante :

L'appareil démarre avec une température par défaut de 5 °C (41 °F) pour le réfrigérateur, 2 °C (36 °F) pour le compartiment spécial du réfrigérateur et -18 °C (0 °F) pour le congélateur, et fonctionne de manière continue jusqu'à ce qu'elle atteigne les températures spécifiées. Si l'appareil est éteint, attendez cinq minutes avant de le rallumer, afin d'éviter toute tension inutile sur le compresseur. Ne stockez jamais d'objets inflammables ou explosifs ni d'acides corrosifs puissants ou d'alcalis dans l'appareil. Ce réfrigérateur refroidit vos aliments en refroidissant l'arrière intérieur de la cavité. Il est normal que du givre s'accumule à sa surface. Il se transforme ensuite en liquide pendant les cycles d'arrêt du compresseur et s'écoule par un petit drain au fond, puis s'évapore sans danger. La présence de givre ou d'humidité à l'arrière est normale.

PREMIÈRE UTILISATION

Utilisation du réfrigérateur

1. Ne placez jamais des liquides dans le réfrigérateur sans les couvrir.
2. Ne placez jamais des aliments chauds dans le réfrigérateur. Les aliments chauds doivent être refroidis à la température ambiante avant d'être mis au réfrigérateur.
3. Rien ne doit reposer contre la paroi arrière du réfrigérateur, car cela pourrait entraîner du gel et d'éventuels problèmes de condensation qui pourraient être difficiles à éliminer.
4. Assurez-vous que les aliments sont propres et que l'eau excédentaire est essuyée avant de les mettre dans le réfrigérateur.
5. Enveloppez ou couvrez les aliments avant de les mettre au réfrigérateur. Cela aidera à prévenir la perte d'humidité, à garder les aliments frais et à éviter les odeurs désagréables.
6. Tous les aliments à consommer prochainement doivent être stockés à l'avant de l'étagère pour éviter toute détérioration due à une ouverture prolongée de la porte.
7. Ne remplissez pas trop le réfrigérateur. Il devrait y avoir suffisamment d'espace entre les aliments pour permettre à l'air frais de circuler.
8. La décongélation des aliments surgelés dans le compartiment réfrigérateur permet de les maintenir à une température basse et d'économiser de l'énergie.
9. Ne stockez jamais les viandes crues sur des étagères au-dessus de viandes cuites ou d'autres produits. Cela aidera à empêcher que les jus de viande crue ne contaminent d'autres aliments.

Utilisation du congélateur

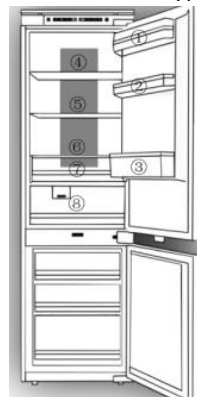
1. Les compartiments du congélateur sont conçus pour stocker uniquement des aliments surgelés.
2. Ne placez jamais d'aliments chauds ou tièdes dans le congélateur, laissez-les refroidir complètement avant de les mettre dans le congélateur.
3. Suivez les instructions figurant sur l'emballage des aliments pour la conservation des aliments surgelés. Si aucune information n'est fournie, les aliments ne doivent pas être conservés plus de trois mois après la date d'achat.
4. Stockez les aliments dans de petits emballages (idéalement moins de 1 kg). Cela réduit le temps de congélation et améliore la qualité des aliments après décongélation.
5. Emballez les aliments avant de les mettre au congélateur. Pour empêcher les emballages de coller les uns aux autres, assurez-vous qu'ils sont secs.
6. Étiquetez les aliments avant de les congeler avec des renseignements, y compris le type d'aliments et la date de congélation et la date de péremption.
7. Une fois les aliments décongelés, ils ne doivent pas être recongelés. Afin d'éviter le gaspillage, ne décongelez que la quantité d'aliments nécessaire.
8. Les boissons en bouteilles ou en canettes ne doivent pas être stockées dans les compartiments du congélateur, car elles pourraient exploser.
9. La quantité maximale d'aliments frais pouvant être congelés dans une période de 24 heures est de 3 kg (6,6 lb).
10. N'essayez pas de congeler une quantité d'aliments supérieure à cette quantité maximale.

INSTRUCTIONS POUR L'ENTREPOSAGE

La partie réfrigérateur est destinée au stockage des aliments à court terme. Bien que de basses températures puissent être maintenues, il n'est pas recommandé d'y conserver les aliments pendant de longues périodes.

Comme l'air froid circule dans le réfrigérateur, la température peut varier entre les différentes sections. Par conséquent, les aliments doivent être stockés dans différentes sections en fonction de leur type.

1. Beurre, fromages, etc.
2. Nourriture en bocaux et bouteilles
3. Boissons, par ex. lait
4. Plats cuisinés
5. Yaourts, conserves, etc.
6. Bouteilles de 75 ml (2,5 oz) ou plats préparés, etc.
7. Viande et poisson frais
8. Fruits et légumes



- Les étagères dans la partie réfrigérateur peuvent être déplacées en fonction des exigences de stockage.
- Pour déplacer une étagère, soulevez la section arrière, puis tirez-la vers l'extérieur.
- Pour la remettre en place, faites glisser l'étagère dans la fente, puis abaissez la section arrière.

Conservation dans le réfrigérateur

- ◆ Ne placez jamais des liquides dans le réfrigérateur sans les couvrir.
- ◆ Ne placez jamais des aliments chauds dans le réfrigérateur. Les aliments chauds doivent être refroidis à la température ambiante avant d'être mis au réfrigérateur.
- ◆ Rien ne doit reposer contre la paroi arrière du réfrigérateur, car cela pourrait entraîner du gel et d'éventuels problèmes de condensation qui pourraient être difficiles à éliminer.
- ◆ Assurez-vous que les aliments sont propres et que l'eau excédentaire est essuyée avant de les mettre dans le réfrigérateur.
- ◆ Enveloppez ou couvrez les aliments avant de les mettre au réfrigérateur. Cela aidera à prévenir la perte d'humidité, à garder les aliments frais et à éviter les odeurs désagréables.
- ◆ Ne remplissez pas trop le réfrigérateur. Il devrait y avoir suffisamment d'espace entre les aliments pour permettre à l'air frais de circuler.
- ◆ La décongélation des aliments surgelés dans le compartiment réfrigérateur permet de les maintenir à une température basse et d'économiser de l'énergie.
- ◆ Ne stockez jamais les viandes crues sur des étagères au-dessus de viandes cuites ou d'autres produits.

Conservation dans le congélateur

- ◆ Les compartiments du congélateur sont conçus pour stocker uniquement des aliments surgelés.
- ◆ Ne placez jamais d'aliments chauds ou tièdes dans le congélateur, laissez-les refroidir complètement avant de les mettre dans le congélateur.
- ◆ Suivez les instructions figurant sur l'emballage des aliments pour la conservation des aliments surgelés. Si aucune information n'est fournie, les aliments ne doivent pas être conservés plus de trois mois après la date d'achat.
- ◆ Stockez les aliments dans de petits emballages (idéalement moins de 1 kg). Cela réduit le temps de congélation et améliore la qualité des aliments après décongélation.
- ◆ Une fois les aliments décongelés, ils ne doivent pas être recongelés. Afin d'éviter le gaspillage, ne décongelez que la quantité d'aliments nécessaire.
- ◆ Les boissons en bouteilles ou en canettes ne doivent pas être stockées dans les compartiments du congélateur, car elles pourraient exploser.
- ◆ La quantité maximale d'aliments frais pouvant être congelés dans une période de 24 heures est de 3 kg (6,6 lb).
- ◆ N'essayez pas de congeler une quantité d'aliments supérieure à cette quantité maximale.

INSTRUCTIONS POUR L'ENTREPOSAGE

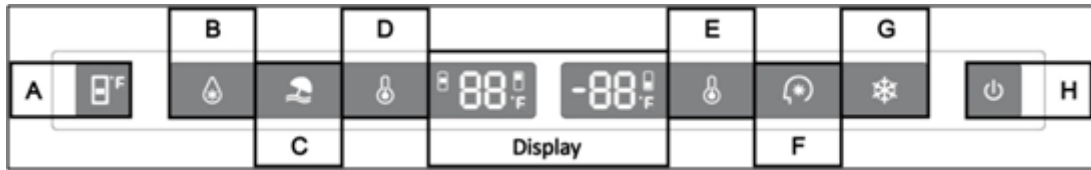
Zone fraîche

- ◆ La zone fraîche vous permet de contrôler sa température de manière indépendante.
- ◆ La température de la zone fraîche varie de -3 à +3 °C (de 27 à 37 °F).
- ◆ La zone fraîche est conçue pour faciliter la manipulation de courte durée des ingrédients, lorsque vous manipulez des aliments surgelés.
- ◆ La technologie de préservation à zéro degré garantit un compartiment de conservation au frais à température relativement stable, indépendante, très proche de -3 °C (27 °F), mais pas inférieure à -3 °C (27 °F), en maintenant un niveau de température stable - de sorte que les aliments peuvent être conservés au frais pendant une période plus longue, sans être congelés
- ◆ Suggestions d'utilisation : Il est recommandé de conserver le poisson frais, la viande fraîche et les fruits secs dans des conditions comprises entre -2 et 0 °C (entre 28 et 32 °F). Placez les ingrédients congelés dans la zone fraîche 4/5 heures avant leur utilisation. Vous pouvez alors couper ou faire cuire les aliments surgelés sans effort et profiter d'une expérience de cuisson plus rapide et plus saine.
- ◆ Il est recommandé de conserver les légumes et les fruits entre 0 et 3 °C (entre 32 et 37°F).
- ◆ À noter : Si vous souhaitez conserver des ingrédients à séchage facile, comme la viande, dans la zone à température zéro pendant plus de 4 heures, vous devez utiliser des emballages en plastique pour éviter une perte excessive d'humidité, qui altérerait le goût.

Réglage de l'humidité du bac à légumes et fruits

- ◆ Le bac à légumes et fruits de cet appareil est doté d'un curseur de réglage du niveau d'humidité. Les légumes et produits similaires qui sont sujets au flétrissement (par ex., la roquette, les feuilles d'épinards, les herbes comme le basilic, etc.) doivent être conservés dans le tiroir à légumes et fruits et le curseur de réglage doit être fermé (placé complètement à gauche - haut). En gardant le curseur de réglage fermé, la vapeur d'eau est maintenue dans le tiroir et par la suite les légumes verts sont conservés plus croustillants et frais plus longtemps.
- ◆ En revanche, les fruits susceptibles de pourrir doivent être conservés dans le bac à légumes et fruits avec le curseur de réglage de l'humidité complètement ouvert (vers la droite - bas). Cela permet aux gaz émis par certains produits et qui accélèrent le processus de rotation de sortir du bac à légumes et fruits.
- ◆ Le bac est marqué haut et bas avec des pictogrammes de légumes et de fruits pour vous aider.

COMMANDES



1. Lors de la première utilisation ou après une panne de courant, l'appareil fonctionne toujours à : 5 °C (41 °F) dans le réfrigérateur, 0 °C (32 °F) dans la zone fraîche et -18 °C (0 °F) dans le congélateur. Si vous souhaitez régler manuellement la température ou les fonctions, appuyez sur n'importe quel bouton pour activer le panneau de commande.
2. Réglage de la température du réfrigérateur : appuyez plusieurs fois sur le bouton **D** situé sur la partie gauche du panneau de commande pour faire défiler les températures de 2 à 8 °C (de 36 à 46 °F).
3. Réglage de la température du réfrigérateur : appuyez plusieurs fois sur le bouton **E** situé sur la partie droite du panneau de commande pour faire défiler les températures de -15 à -25 °C (de 5 à -13 °F).
4. Fonction de refroidissement rapide : appuyez sur le bouton **B**. Le bouton s'allume et la fonction de refroidissement rapide est activée. Le réfrigérateur fonctionnera automatiquement à une température de 2 °C (36 °F). Le mode expire automatiquement après 24 heures de fonctionnement et le bouton s'éteint. Le mode peut être annulé manuellement en appuyant de nouveau sur le bouton.
5. Fonction vacances : appuyez sur le bouton **C**. Le bouton s'allume et la fonction vacances est activée. L'appareil fonctionnera automatiquement avec les réglages suivants : réfrigérateur à 17 °C (63 °F) et congélateur à -18 °C (0 °F).
6. Fonction intelligente : appuyez sur le bouton **F**. Le bouton s'allume et l'appareil fonctionnera automatiquement avec les réglages suivants : réfrigérateur à 5 °C (41 °F) et congélateur à -18 °C (0 °F). La zone fraîche fonctionnera à 0 °C (32 °F).
7. Fonction congélation rapide : appuyez sur le bouton **G**. Le bouton s'allume et le congélateur fonctionnera à la température -25 °C (-13 °F). Après 24 heures, la fonction de congélation rapide s'arrête automatiquement. Elle peut aussi être interrompue manuellement à tout moment en appuyant à nouveau sur le bouton.
8. Appuyez sur le bouton **H** pendant 3 secondes pour éteindre l'appareil. Le bouton s'allume pour indiquer que l'appareil est sous tension, mais en mode veille. Appuyez sur le bouton **H** pendant 3 secondes pour mettre l'appareil en marche.
9. Appuyez sur le bouton **A** pour activer temporairement la section d'affichage correspondant à la zone fraîche. Appuyez de nouveau sur le bouton **A** pour régler la température. Plage de température de la zone fraîche : de -3 à +3 °C (de 27 à 37 °F).

10. Affichage d'une anomalie

Cet appareil est doté d'une fonction « affichage des anomalies et alarme ». Si une anomalie est détectée, des alarmes s'affichent sur l'écran d'affichage de la température. L'appareil continue à refroidir, mais un technicien à l'entretien et en réparation professionnel doit être appelé pour vérifier l'appareil.

F1 – Capteur de l'évaporateur du réfrigérateur

F2 – Capteur de la zone fraîche

F3 – Capteur du compartiment réfrigérateur

F4 – Capteur du compartiment congélateur

F5 – Capteur de dégivrage

2E – Défaillance du ventilateur ou du moteur dans le congélateur

EC – Défaut de communication entre le panneau principal et l'écran d'affichage.

PS : La carte mère se trouve dans le compartiment du compresseur

DÉGIVRAGE

Le produit est doté d'un système antigel conçu pour empêcher l'accumulation importante de glace. Dans des conditions d'utilisation normales, il ne devrait pas être nécessaire de dégivrer régulièrement le système de congélation.

Remarque importante : Si vous trouvez régulièrement une accumulation importante de glace ou des flaques d'eau dans la section du congélateur, il est probable que la porte n'est pas correctement fermée. Cela peut être dû à un joint de porte défectueux ou à une porte décorative mal installée ou trop lourde. Pour plus de renseignements, reportez-vous à la section de diagnostic d'anomalies concernant la glace.

ENTRETIEN ET NETTOYAGE

Débranchez toujours l'appareil de la prise secteur avant tout nettoyage ou entretien.

Les parties réfrigérateur et congélateur doivent être nettoyées à l'aide d'une solution de bicarbonate de soude et d'eau tiède. N'utilisez pas de produits abrasifs ou de détergents. Après le lavage, rincez et séchez soigneusement.

Nettoyez les étagères et les bacs de porte séparément à la main avec une solution légère de détergent à vaisselle doux et d'eau. Ne les mettez pas au lave-vaisselle.

Si l'appareil ne sera pas utilisé pendant une période prolongée, débranchez-le et nettoyez-le. Les portes doivent être légèrement entrouvertes pour éviter la formation de moisissure et d'odeurs désagréables.

DIAGNOSTIC DES ANOMALIES

Si vous rencontrez des problèmes avec votre appareil, consultez la section sur le diagnostic d'anomalies avant d'appeler le Service à la clientèle.

Si l'appareil ne fonctionne pas, vérifiez que :

L'appareil est sous tension.

Les fusibles de la maison sont intacts et le fusible de la fiche n'est pas grillé.

L'appareil n'a pas été éteint.

La sortie fonctionne correctement. Pour vérifier cela, branchez un autre appareil électrique pour voir si la prise fonctionne ou non.

Si l'appareil fonctionne, mais pas très bien, vérifiez les points suivants :

L'appareil n'est pas surchargé.

Le thermostat est réglé à une température appropriée.

Les portes se ferment correctement.

Le système de refroidissement à l'arrière de l'appareil est propre et exempt de poussière et il ne touche pas la paroi arrière.

Il y a suffisamment de ventilation sur les parois latérales et arrière.

Si l'appareil est bruyant, vérifiez que :

L'appareil est bien horizontal et stable.

Les parois latérales et arrière sont dégagées et rien ne repose sur l'appareil.

À noter : Le gaz de refroidissement dans le réfrigérateur peut faire un léger bruit de bouillonnement ou de gargouillis, même lorsque le compresseur ne fonctionne pas.

Si l'appareil émet des bips, vérifiez que :

Les portes sont fermées. Une alarme retentit après 60 secondes d'ouverture d'une porte.

Si de la glace s'est formée sur la paroi arrière du réfrigérateur :

Il est normal que des gouttelettes de glace se forment sur la paroi arrière du réfrigérateur. Cela ne constitue pas un défaut de l'appareil.

Assurez-vous qu'aucun article à l'intérieur du réfrigérateur n'est en contact avec la paroi arrière.

Vérifiez qu'il existe une certaine résistance lors de l'ouverture de la porte de l'appareil. Si elle s'ouvre au moindre contact, cela peut signifier que le joint de porte doit être remplacé.

Vérifiez que le joint de la porte n'est pas plié ou endommagé et qu'il n'y a pas de débris présents. Si vous en remarquez un problème avec le joint et que vous ne parvenez pas à résoudre le problème vous-même, contactez le Service à la clientèle pour que le joint puisse être remplacé.

Cela peut être dû au fait que le(s) panneau(x) de porte ne sont pas correctement installés. En cas de doute, demandez à votre installateur de vérifier le(s) panneau(x) de porte.

Si une quantité excessive de glace s'est formée dans le congélateur :

Vérifiez qu'il existe une certaine résistance lors de l'ouverture de la porte de l'appareil. Si elle s'ouvre au moindre contact, cela peut signifier que le joint de porte doit être remplacé.

Vérifiez que le joint de la porte n'est pas plié ou endommagé et qu'il n'y a pas de débris présents. Si vous en remarquez un problème avec le joint et que vous ne parvenez pas à résoudre le problème vous-même, contactez le Service à la clientèle pour que le joint puisse être remplacé.

Cela peut être dû au fait que le(s) panneau(x) de porte ne sont pas correctement installés. En cas de doute, demandez à votre installateur de vérifier le(s) panneau(x) de porte.

GARANTIE

GARANTIE POUR LE RÉFRIGÉRATEUR SMEG GARANTIE COMPLÈTE DE DEUX ANS

Pendant **deux ans** à compter de la date d'achat d'origine, SMEG USA, Inc. (« SMEG ») réparera ou remplacera (à sa seule discrétion) toute pièce défectueuse du réfrigérateur due à un défaut de fabrication ou de matériel. Durant ces **deux** années de garantie complète, SMEG prendra à sa charge toute la main-d'œuvre et le service à domicile nécessaires pour réparer ou remplacer la ou les pièces défectueuses. **Cette garantie est valable uniquement pour les appareils destinés à un usage résidentiel.**

GARANTIE LIMITÉE DE TROIS À CINQ ANS

Pendant la période de la **troisième** à la cinquième année à compter de la date d'achat d'origine, SMEG réparera ou remplacera (à sa seule discrétion) et sans frais toute pièce du système de réfrigération scellé (comprenant le compresseur, **l'évaporateur exposé, le condenseur exposé, le déshydrateur, le fluide frigorigène d'origine et la tubulure de raccordement d'origine**) qui échouerait lors d'une utilisation domestique normale. Si une nouvelle pièce est requise, SMEG la fournira gratuitement. Tous les autres coûts, y compris la main-d'œuvre, pour réparer ou remplacer la ou les pièces défectueuses, le kilométrage, le transport, les frais de déplacement et les frais de diagnostic, le cas échéant, sont de la responsabilité du propriétaire.

Cette garantie est valable uniquement aux États-Unis et au Canada et **s'applique** uniquement lorsque l'appareil est utilisé dans le pays dans lequel il a été acheté. En dehors des États-Unis d'Amérique et du Canada, cette garantie ne s'applique pas. **Cette garantie peut être transférée.**

GARANTIE

EXCLUSIONS

Cette garantie ne couvre aucun défaut ou dommage, qui n'est pas la faute directe de SMEG USA ou de Smeg S.p.A.. Ceci inclut, mais n'est pas limité à :

1. Les visites de service à votre résidence pour vous expliquer comment utiliser le produit.
2. Les visites de service à votre résidence lors desquels aucun problème n'est constaté.
3. Les dommages s'étant produits dans le transport, la manipulation et/ou l'installation du produit.
4. Les dommages s'étant produits dans le cas où le produit n'a pas été installé conformément aux instructions d'installation du fabricant, ainsi que tous les codes ou réglementations locaux. Cette garantie ne couvre pas les problèmes de performances liés à une mauvaise installation.
5. Les dommages au produit dus au non-respect des instructions de soin, de nettoyage et d'entretien recommandées par le fabricant. Cette garantie ne couvre pas les problèmes de performances liés à des soins, un nettoyage ou un entretien inapproprié.
6. Toute réparation, modification, altération ou ajustement effectués par toute personne ou société de service non autorisée par SMEG ou ses partenaires de service.
7. Une défaillance du produit suite à un abus, une mauvaise utilisation ou une utilisation autre que celle prévue ou, si le produit a été utilisé dans un environnement commercial ou industriel. Les environnements commercial et industriel sont définis comme un environnement dans lequel le produit est utilisé à des fins commerciales ou à des fins de profit.
8. Si l'appareil est installé sur une prise électrique présentant une tension, un courant, un disjoncteur, une rallonge, un transformateur ou une alimentation électrique incorrect.
9. Les dommages aux composants électroniques résultant d'une surtension.
10. Un réglage incorrect de toute commande de l'appareil nécessitant une intervention de service.
11. Le remplacement ou le réarmement de disjoncteurs résidentiels.
12. Le remplacement d'ampoules traditionnelles ou à DEL.
13. Le remplacement du filtre à eau (sur certains modèles) en raison de la date d'expiration ou de problèmes externes.
14. Le remplacement du filtre à air (sur certains modèles) en raison de la date d'expiration ou de problèmes externes.
15. L'usure normale de l'appareil ou de ses parties cosmétiques. L'usure est définie comme des égratignures, des bosses ou d'autres dommages à la finition de l'appareil, à moins que ces problèmes ne soient dus à des défauts de matériau ou de fabrication et qu'ils soient signalés à un partenaire de service agréé dans les 30 jours suivant la date d'achat.
16. Toute substance s'accumulant dans ou sur une partie ou un composant du produit et causant un problème de performance.
17. Les dommages à toute chose qui se trouve à côté du produit, y compris, mais sans s'y limiter, le plafond, le plancher, les murs ou les armoires. Les produits installés dans des armoires ou d'autres meubles intégrés qui ne sont pas accessibles pour l'entretien. SMEG n'est pas non plus responsable du démontage ou du remontage des armoires.
18. La garantie ne couvre pas les pertes de nourriture dues à des pannes ou défaillances de réfrigération du produit.
19. Les dommages causés à l'appareil par un accident, un incendie, des inondations ou un cas de force majeure.
20. Les dépenses occasionnées par le déplacement et le transport à des endroits situés à plus de 45 km (30 miles) d'un agent de service SMEG agréé.
21. Les produits dont les numéros de série d'origine ont été retirés, endommagés ou altérés.
22. REMARQUE : Les coûts de main-d'œuvre, de réparation et de toute(s) pièce(s) de remplacement pour les EXCLUSIONS ci-dessus seront de la responsabilité du propriétaire de l'appareil.
23. Tout appareil qui est remplacé ou toute pièce défectueuse qui est remplacée devient la propriété de SMEG.
24. Cette garantie n'est pas valide et ne s'applique pas aux appareils installés dans des bateaux, des navires, des yachts ou tout autre vaisseau marin.
25. Cette garantie n'est pas valide et ne s'applique pas aux appareils installés dans des avions de passagers, de fret, commerciaux ou privés.
26. Cette garantie n'est pas valide et ne s'applique pas aux appareils installés dans des véhicules récréatifs, des roulottes, des maisons mobiles ou toute autre structure qui peut être transportée d'un endroit à un autre.

Les recours ci-haut mentionnés pour chaque garantie sont les seuls que SMEG prescrira, que cela soit sous ses garanties ou toute autre garantie inhérente à l'action d'une loi. SMEG ne sera responsable d'aucune conséquence ou de dommage consécutif à la violation d'une de ses garanties ou autres garanties qu'elles soient explicites, implicites ou prescrites par la loi.

Quelques États ne permettent pas l'exclusion ou la limitation de dommages imprévus ou corrélatifs. Cette garantie vous offre des droits légaux spécifiques, vous avez aussi d'autres droits qui varient d'un État ou d'une province à l'autre. Pour connaître vos droits légaux veuillez consulter les agences de consommateurs ou le ministère public.

GARANTIE

Pour obtenir un service, demander des renseignements sur les pièces ou poser des questions techniques :

- **Aux États-Unis, communiquez avec ADCO, le partenaire de service de SMEG USA, au 1.888.763.4782.**
- **Au Canada, communiquez avec Euro-Parts, le partenaire de service de SMEG USA, au 1.844.778.7634.**

Pour toute autre question, veuillez envoyer un courriel à service@smegservice.com

IMPORTANT : VOUS DEVEZ ENREGISTRER VOTRE PRODUIT DANS LES 30 JOURS SUIVANT LA DATE D'ACHAT.

**AUX ÉTATS-UNIS, CONTACTEZ LE ADCO SERVICE :
1 888 763.4782**

**AU CANADA, CONTACTEZ EURO-PARTS CANADA :
1 884 778.7634**