

FAB5ULYW3



Product family	Refrigerator
Installation	Freestanding
Category	Single door
Defrost	Automatic
Hinge position	Left
EAN code	8017709336523



Aesthetic

Aesthetics	Retro-Style	Side material	Steel
Color	Yellow	Side color	Yellow
Finishing	Glossy	Logo	Applied
Material	Thermo-formed		

Refrigerator compartment features



No. of adjustable shelves	2	Refrigerator lighting	Yes
Type of adjustable shelves	Wire	Refrigerator lighting	LED
No. of lights	1		

Refrigerator Inner Door

Number of adjustable door shelves	1	No. of bottle shelves	1
Adjustable door bins with wire support	Yes	Door bin with wire support	Yes

Other technical features

Temperature setting type	Electro-mechanical
No. of compressors	1
Refrigerant gas type	R600a

No. of evaporators	1
Foam agent	Cyclopentane

Performance / Energy Label

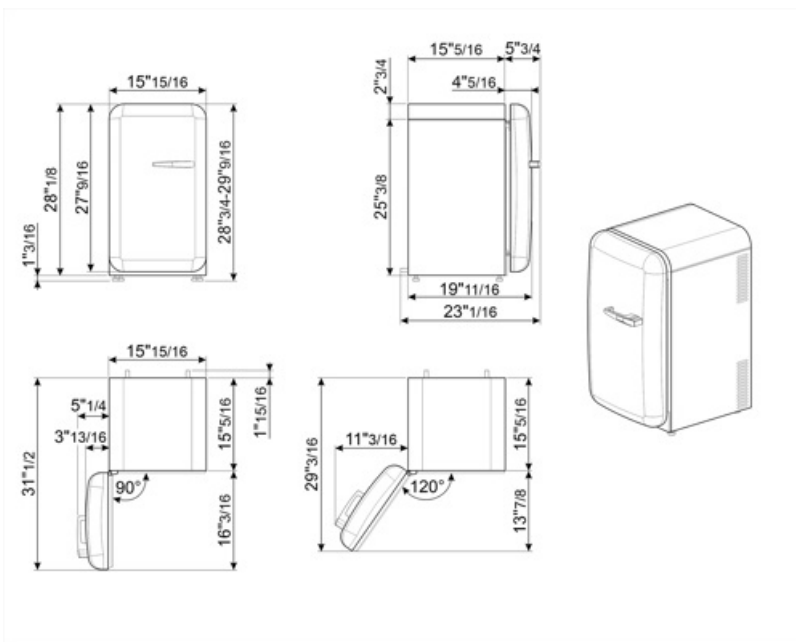
Noise level	40 dB(A) re 1 pW	Climatic class	SN, N, ST, T
-------------	------------------	----------------	--------------

Electrical Connection

Current	0.89 A	Power cord length	70 7/8 "
Voltage (V)	110 V	Plug	(B) NEMA 5-15P
Frequency (Hz)	60 Hz		

Logistic Information

Width	15 7/8 "	Width with doors open at 90°	27 13/16 "
Depth without handle	19 11/16 "	Product depth (handle included)	22 7/16 "
Height	29 1/8 "	Depth with door open at 90°	31 1/2 "



Alternative products



FAB5ULCR3

Hinge position: Left
Cream



FAB5ULBL3

Hinge position: Left
Black



FAB5ULOR3

Hinge position: Left
Orange



FAB5ULRD3

Hinge position: Left
Red



FAB5ULWH3

Hinge position: Left
White

Symbols glossary



The automatic defrost system works by automatically defrosting at regular intervals eliminating the need to defrost altogether.



LED interior lighting: is a more energy efficient and long lasting way of illuminating the interior of the appliance.



A+++: Appliances with this symbol can reduce energy consumption by a further 30% from the standard A energy rating.