



## TRU36GGX New product

### Victoria

Free-standing All-Gas "Victoria" Range  
36" - Stainless steel

EAN13: 8017709220945

#### Traditional Style

- Electronic clock with programmable features
- Full-width continuous grates
- Stainless steel storage drawer beneath the oven

#### Gas oven:

- 3 cooking modes
- Programmable timer
- Adjustable thermostat 122° -500°F
- Air-cooled triple-glazed removable door
- True European convection
- Oven capacity: 4.4 cu. ft.
- "Ever-Clean" enameled interior cavity
- 4 shelf positions
- 2x halogen oven lights
- Bake element 1.7 kW
- Broil element 2.9 kW
- Convection element 1.55kW

#### Gas Rangetop:

- 5 gas burners
- Right-front: 3,500 BTU
- Right-rear: 6,500 BTU
- Central double-inset super burner: 3,000 BTU inner, 12,000 BTU outer
- Left-front: 10,000 BTU
- Left-rear: 6,500 BTU
- Heavy-duty cast iron grates
- Automatic electric ignition
- LP gas conversion kit included

#### Safety:

- Gas safety valves
- Air-cooled door to prevent overheating
- Connected load nominal power: 240/120V
- Voltage rating: @ 240/120V 60Hz
- Amp supply required: 240/120V - 15/13.5Amps
- Gas inlet location: back top-right

#### Accessories included:

- 1 wok ring
- 1 moka ring
- 1 rotisserie kit
- 2 baking trays
- 2 chrome shelves



5 1/3" backsplash

1 1/4" Island Trim

## Versions

---

- **TRU36GGBL** - Glossy black
- **TRU36GGP** - Cream enamel

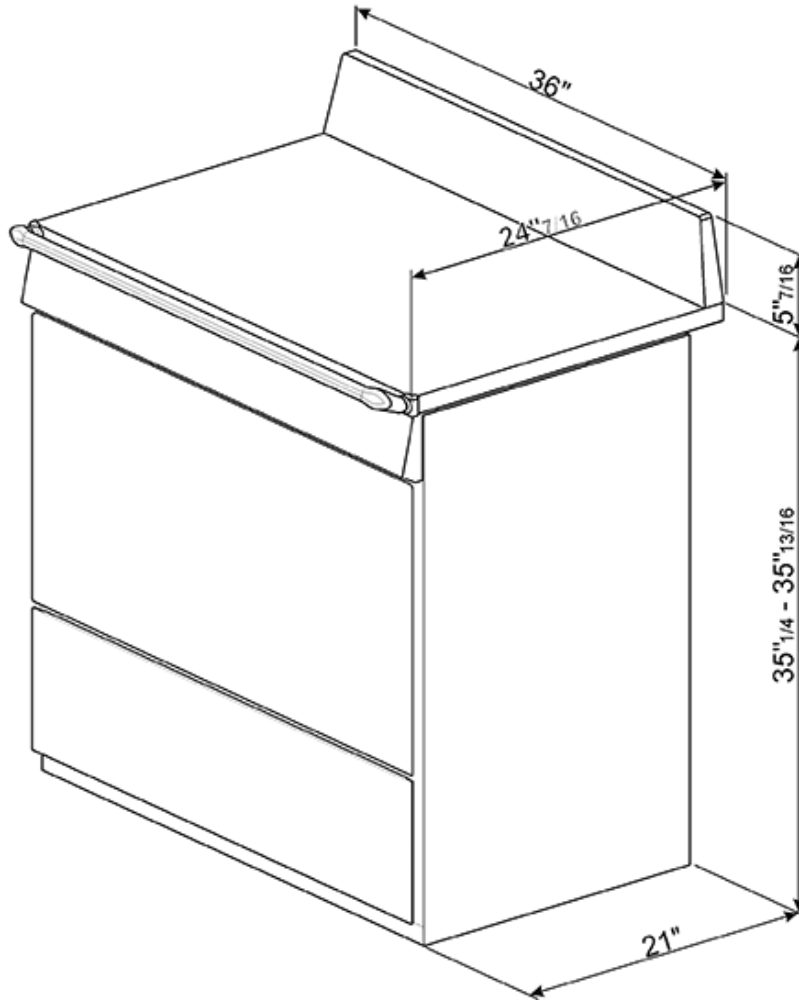
**SMEG U.S.A. INC.**  
**A&D BUILDING**  
**150 EAST 58th STREET, 7th FLOOR**  
**NEW YORK, NY, 10155**  
**Tel. +1 212 265 5378**  
**Fax +1 212 265 5945**



# TRU36GGX

Victoria

36"  
stainless steel  
cooktops type: gas  
oven type: gas



SMEG U.S.A. INC.  
A&D BUILDING  
150 EAST 58th STREET, 7th FLOOR  
NEW YORK, NY, 10155  
Tel. +1 212 265 5378  
Fax +1 212 265 5945