

EFX-277-X0X-0XXX

► Description

Solar powered, infrared, sensor activated, electronic, chrome plated die cast body, hand washing faucet for pre-tempered or hot and cold water operation.

► Flow Rates

- 0.5 gpm/1.9 Lpm Multi-Lam Spray
- 1.5 gpm/5.7 Lpm Aerated Stream
- 1.5 gpm/5.7 Lpm Laminar Stream

► Specifications

Solar Powered, Sensor Activated, Electronic, Chrome Plated Die Cast Body, Hand Washing Faucet with the following features:

- All serviceable components above deck
- One tool service
- All wetted components to be stainless steel, engineered thermoplastic, EPDM, and copper or copper alloy
- Solenoid housed in removable carrier that includes supply strainer
- Integral water supply shut off
- Supply strainer serviceable from above deck
- Vandal resistant spray insert, key housed inside faucet body
- All electronics sealed to IP-67
- Gold plated electrical contacts
- Above deck individual diagnostic indicators for battery life, solenoid condition, and power up mode
- Flexible, high pressure supply hoses, 3/8" compression connections
- Bi-stable magnetic solenoid
- Four (4) "AA" alkaline batteries
- Double infrared sensors with automatic setting feature
- Single hole installation
- Includes all mounting hardware
- Line purge mode, eliminates stagnant water
- Adjustable time-outs
- High temperature auto shut-off (LCD models)
- Faucet can be configured to add LCD display
- LCD display of water temperature and scrub time
- Solar power harvesting options
- Mechanical mixing, integral to spout, optional

► Model Creation Guide

	Mix	Sensing	Flow Rate	Battery Type	Base Plate	Adapters	Drain Pop-Up
EFX-277.	X	0	X	.	0	X	X
0	<input type="checkbox"/> None	Active IR	<input type="checkbox"/> 0.5 gpm Multi-Lam	Alkaline	<input type="checkbox"/> None	<input type="checkbox"/> None	<input type="checkbox"/> No
1	-	-	-	-	<input type="checkbox"/> 4"	<input type="checkbox"/> Plug-In	<input type="checkbox"/> Yes
2	-	-	<input type="checkbox"/> 1.5 gpm Aerated	-	<input type="checkbox"/> 8"	<input type="checkbox"/> Plug-In UK	-
3	-	-	<input type="checkbox"/> 1.5 gpm Laminar	-	-	<input type="checkbox"/> Plug-In EU	-
4	-	-	-	-	-	<input type="checkbox"/> Box Mount	-
5	<input type="checkbox"/> Integral Side Mixer	-	-	-	-	-	-



EFX-275.500.0000 Shown
(Solar Model with Integral Side Mixer)

► Options (Ordered Separately)

- EAF-23** Splitter (included in hardwire less adapter)
- EAF-24-A** 11-13/16" Extension Cable
- EAF-25-A** 47-1/4" Extension Cable
- EAF-17-A** 126" Extension Cable
- MIX-135-A** Thermostatic Mixer, Below Deck

► Special Finish

- PVDSF** Satin (Chrome) Finish

► Warranty

3 year (limited)

BASYS Spec Language

Sloan BASYS Model No. EFX-277._____._____. Infrared Sensor Activated Electronic Handwashing Faucet for pre-tempered or hot/cold water supplies. Product to have double infrared sensors with automatic setting feature. Solenoid valve housed in removable carrier that closes water supply upon removal, eliminating need to access control stops. Solenoid carrier includes strainer for easy above deck service. Thermostatic mixer ordered separately to comply with ASSE 1070 requirements. The product shall be tested and certified to industry standards: ASME A112.18.1M, CSA B125.1, California Health and Safety Code 116875 (AB1953-2006), and Vermont Bill S.152. This product meets ADA ANSI/ICC A117.1 requirements.



This product may contribute to LEED credits. See details on LEED calculation worksheet.

This space for Architect/Engineer approval

Job Name _____ Date _____

Model Specified _____ Quantity _____

Variations Specified _____

Customer/Wholesaler _____

Contractor _____

Architect _____

EFX-277-X0X-0XXX

► Description

Solar powered, infrared, sensor activated, electronic, chrome plated die cast body, hand washing faucet for pre-tempered or hot and cold water operation.

► Flow Rates

- 0.5 gpm/1.9 Lpm Multi-Lam Spray
- 1.5 gpm/5.7 Lpm Aerated Stream
- 1.5 gpm/5.7 Lpm Laminar Stream

ELECTRICAL SPECIFICATIONS

► Control Circuit

6.75 VDC

► Sensor Range

Nominal:

4" - 5" (102 mm - 127 mm)

Faucet Adaptive Self-adjustment

Range:

2" - 14" (51 mm - 356 mm) nominal

► Battery Life

3-years under worst case conditions of 8,000 cycles per month and high water pressure. Optional power harvesting may extend service life of batteries to equal the shelf life.

► Power Supplies

- 6 VDC Solar Energy Module with 6 VDC Alkaline Battery Pack

► Time Out Setting

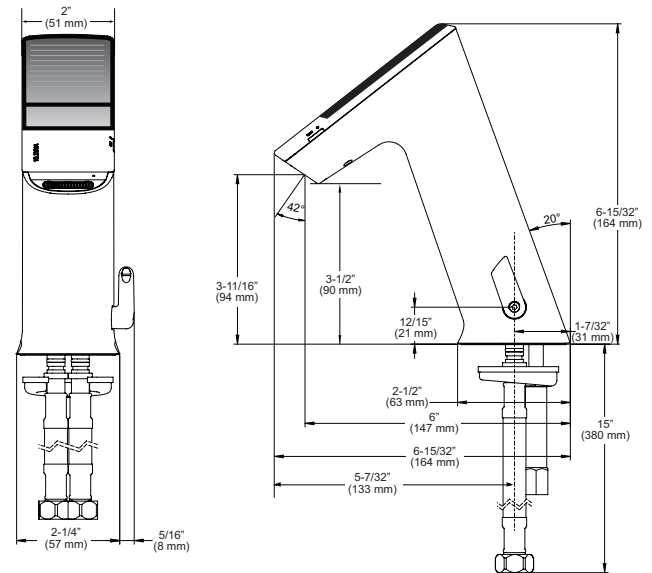
30 seconds — Maximum time faucet will run upon continuous detection

OPERATION

1. A continuous, invisible light beam is emitted from the sensor located at the front of the hand washing faucet.
2. As the user's hands enter the beam's effective range, the beam is reflected back into the sensor receiver and activates the solenoid valve allowing water to flow from the faucet. Water will flow until the hands are no longer sensed or until the faucet reaches its automatic time out limit setting.
3. When hands are moved away from the sensor, the loss of reflected light initiates an electrical signal that closes the solenoid valve shutting off the water flow. The circuit then automatically resets and is ready for the next user.

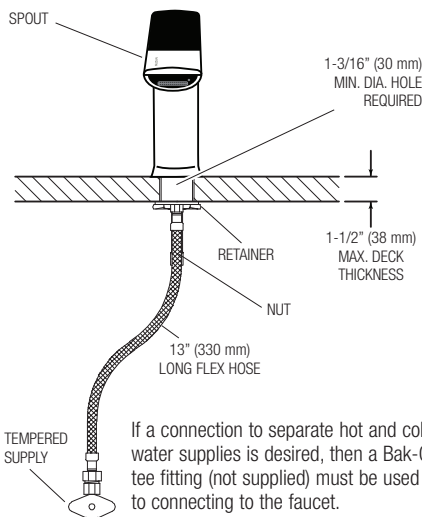


DIMENSIONS

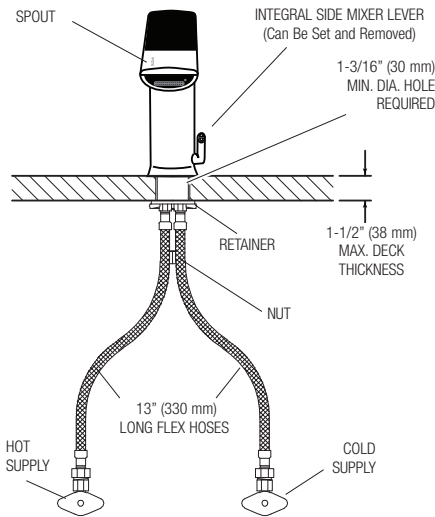


ROUGH-IN

EFX-277.00X.XXXX
Faucet with Single Line Water Supply



EFX-277.50X.XXXX
Faucet with Hot and Cold Water Supply



When the BASYS Series faucet is installed on a sink that has three (3) hole punchings, a Base Plate should be used.

Base Plates should be specified at time of order.

EFX-20 – 4" Centerset

EFX-26 – 8" Centerset

SLOAN VALVE COMPANY • 10500 SEYMOUR AVENUE • FRANKLIN PARK, IL 60131

Phone: 1-800-982-5839 or 1-847-671-4300 • Fax: 1-800-447-8329 or 1-847-671-4380 • www.sloanvalve.com