



Model
WETS-2002.1002 1.6/1.1 WES DF
Manual HET Dual Flush Flushometer and HET Dual Flush Water Closet

DESCRIPTION

Complete HET system with exposed manual Royal® dual flush Flushometer and HET vitreous china dual flush floor mount fixture.

Flush Cycle

Model WETS-2002.1002-1.6 /1.1 WES
(Down 1.6 gpf/6.0 Lpf, Up 1.1 gpf/4.2 Lpf)



SPECIFICATIONS

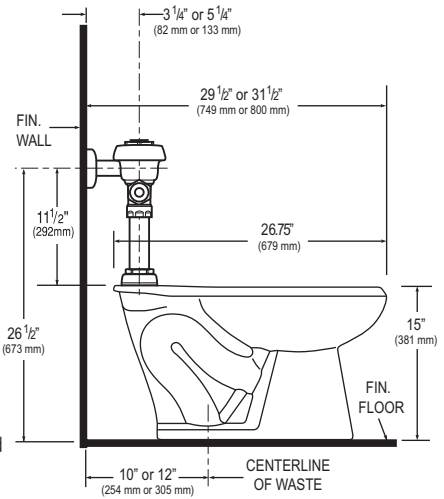
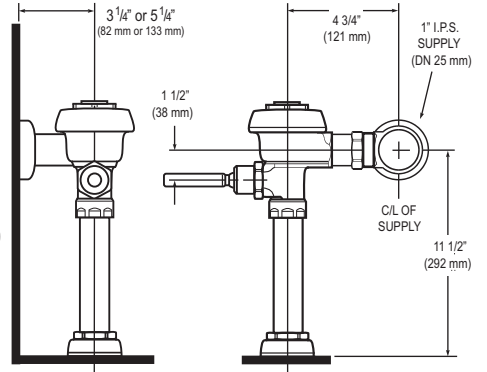
Quiet, exposed, diaphragm type, chrome plated dual flush HET Flushometer and vitreous china dual flush HET floor mount fixture with the following features:

Flushometer

- Lifting Handle UP initiates reduced flush (1.1 gpf/ 4.2 Lpf), eliminating liquid and paper waste, saving a ½-gallon of water
- Pushing Handle DOWN initiates full flush (1.6 gpf/ 6.0 Lpf), eliminating solid waste and paper
- Reduces water volume by up to 30% when activated UPWARDS
- Antimicrobial Coating on Handle protects against germs
- Distinctive Green ADA Compliant Metal Non-Hold-Open Handle with Triple Seal Handle Packing signifies Water Conserving Device
- PERMEX® Synthetic Rubber Diaphragm with Dual Filtered Fixed Bypass
- 1" I.P.S. Screwdriver Bak-Chek® Angle Stop
- High Back Pressure Vacuum Breaker Flush Connection with One-piece Bottom Hex Coupling Nut
- Sweat Solder Adapter w/Cover Tube and Cast Wall Flange with Set Screw
- High copper, low zinc brass castings for dezincification resistance
- Diaphragm, Handle Packing, Stop Seat and Vacuum Breaker molded from PERMEX® rubber compound for chloramine resistance
- Includes (2) adhesive backed Metal Wall Plates etched w/Instructions
- Valve Body, Cover, Tailpiece and Control Stop shall be in conformance with ASTM Alloy Classification for Semi-Red Brass. Valve shall be in compliance to the applicable sections of ASSE 1037.

Fixture

- Vitreous china with Integral flushing rim
 - Floor mounted elongated bowl
 - 1 ½" I.P.S. top spud inlet
 - 2 ⅛" trapway diameter
 - Siphon jet flush
 - Closet bolts and caps included
 - 100% factory flush tested
 - Toilet seat not included
- Compatible with toilet seat models:
Olsonite 10CT, Bemis 1955CT, & Church Commercial 295CT
- Water closet shall be in compliance to the applicable sections of ASME A112.19.2/CSA B45.1
 - Compliant with Buy American Act when purchased as a combination



NOTE:

- Plumbing System Requirements
- Minimum **Flowing** Pressure: 25 PSI
 - Minimum Flow Rate: 18 GPM

This space for Architect/Engineer approval	
Job Name	Date
Model Specified	Quantity
Variations Specified	
Customer/Wholesaler	
Contractor	
Architect	

The information contained in this document is subject to change without notice.



SLOAN

Sloan Valve Company
10500 Seymour Avenue
Franklin Park, IL 60131
Phone: 1-800-9-VALVE-9 (982-5839)
or 1-847-671-4300
Fax: 1-800-447-8329 or 1-847-671-4380
www.sloanvalve.com

Copyright © 2010 Sloan Valve Company
Rev. 0a (10/10)