

SF-2300 SF-2350

- ▶ **Description**
Sensor Activated, Electronic, 4 inch Centerset Hand Washing Faucet for tempered or hot/cold water operation.
- ▶ **Models**
 - SF-2300 Series 6 VDC Plug-in Adapter Powered with Battery Backup
 - SF-2350 Series Battery Powered
- ▶ **Flow Rate**
 - 0.5 gpm/1.9 Lpm Max Flow Spray Head
- ▶ **Specifications**
ADA Compliant, Sensor Activated, 6 VDC, Chrome Plated Brass, Hand Washing Faucet with the following features:
 - Splash-proof Circuit Control Module
 - Adjustable Infrared Sensor Range
 - 36" (914 mm) Long Sensor Cable
 - 24" (610 mm) Long Flex Hose
 - Filtered Solenoid Valve with serviceable Strainer Filter
 - Bak-Chek® Tee for Hot/Cold Supply
 - 6 VDC Plug-in Adapter (Model SF-2300 only)
 - Aerator Spray Head
 - Includes Four (4) AA-size Batteries
 - Includes appropriate Mounting Hardware
- ▶ **Variations (add suffix to Model Number for inclusion with Faucet)**
 - **Temperature Mixing Valves**
 - BDM** MIX-60-A Below Deck Mechanical Mixing Valve
- ▶ **Accessories (specify separately)**
 - **Standard Outlet**
 - SFP-13** 0.5 gpm/1.9 Lpm Spray Head
 - SFP-23** 2.2 gpm/8.3 Lpm Aerator Spray Head
 - **Vandal Resistant Outlet**
 - EAF-15** 0.5 gpm/1.9 Lpm Vandal Resistant Spray Head
 - SFP-24** 2.2 gpm/8.3 Lpm Vandal Resistant Aerator Spray Head
 - **Adapters**
 - SFP-6** 110 VAC/6 VDC Plug-in Adapter
 - SFP-20** 220 VAC/6 VDC Type G Rectangular (UK) Plug-in Adapter
 - SFP-25** 220 VAC/6 VDC Type C Round Pin (Euro) Plug-in Adapter
 - SFP-26** 220 VAC/6 VDC Type A Flat Blade (Asia) Plug-in Adapter
 - SFP-35-A** Gang Adapter Kit, includes 1 Plug-in Gang Adapter, 5 Splitter Cables and 1 Extension Cable
 - SFP-36** 71" (1800 mm) 120 VAC/6 VDC Plug-in Gang Transformer
 - SFP-38** 51" (1300 mm) Splitter Cable
 - SFP-37** 51" (1300 mm) Extension Cable



- ▶ **ADA Compliant**
- ▶ **Automatic**
The Sloan SF-2300 and SF-2350 Electronic Hand Washing Faucets operate by means of an infrared sensor. When the user enters the sensor's effective range, the Solenoid activates the water flow. Tempered water flows from the Faucet until the user steps away. The Faucet then automatically shuts off.
- ▶ **Hygienic**
The ultimate in sanitary protection — there are no handles to turn or buttons to push. Helps to control the spread of infectious diseases.
- ▶ **Economical**
Automatic operation provides water usage savings over other faucet devices. Reduces maintenance and operation costs.
- ▶ **Warranty**
1 year (limited)
- ▶ **Compliant to:**
ASME A112.18.1



This space for Architect/Engineer approval

Job Name _____ Date _____

Model Specified _____ Quantity _____

Variations Specified _____

Customer/Wholesaler _____

Contractor _____

Architect _____

SF-2300 SF-2350

Description

Sensor Activated, Electronic, 4 inch Centerset Hand Washing Faucet for tempered or hot/cold water operation.

Models

- SF-2300 Series 6 VDC Plug-in Adapter Powered with Battery Backup
- SF-2350 Series Battery Powered

Flow Rate

- 0.5 gpm/1.9 Lpm Max Flow Spray Head

ELECTRICAL SPECIFICATIONS

Control Circuit

6 VDC Input/Output

Adapter

6 VDC Plug-in (Model 2300 only)

Battery Life

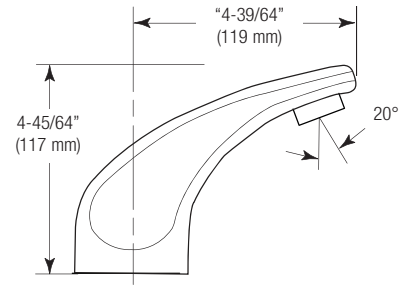
Four (4) Alkaline AA Batteries 2 years at 8,000 cycles/month

Solenoid Valve

6 VDC, Serviceable Strainer, 3/8" Compression Inlet, 1/2" NPSM Outlet

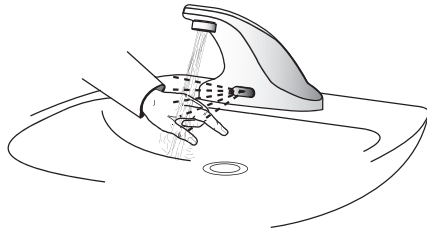
Sensor Range

Nominal:
4" - 7" (102 mm - 178 mm)

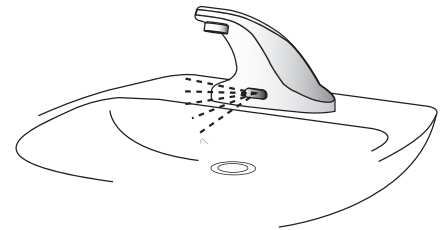


OPERATION

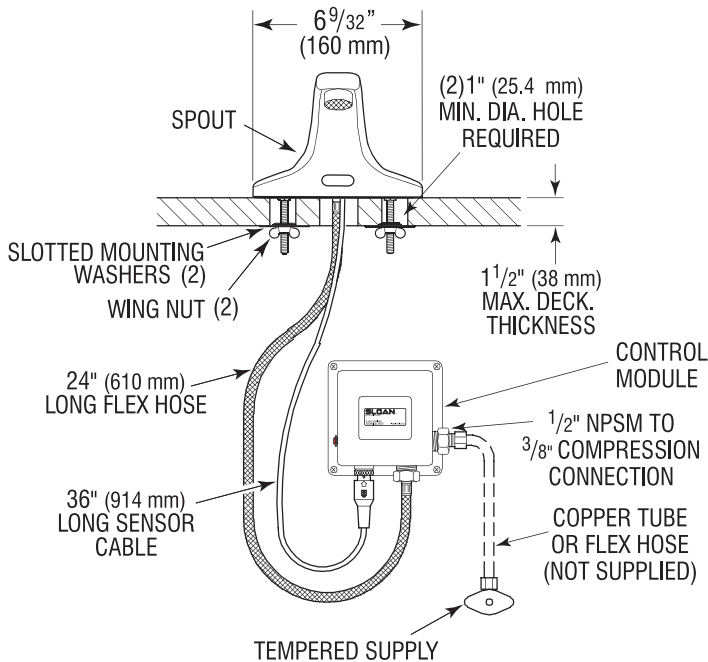
- When a user's hands enter the sensing range, water flows from the spout.



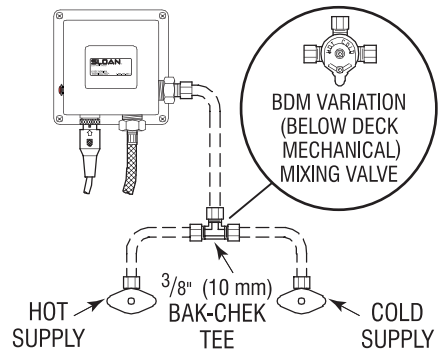
- When hands are removed, the water flow stops.



ROUGH-IN DIMENSIONS



HOT AND COLD WATER SUPPLY APPLICATIONS (SPECIFY IN MODEL VARIATION)



SLOAN VALVE COMPANY • 10500 SEYMOUR AVENUE • FRANKLIN PARK, IL 60131

Phone: 1-800-982-5839 or 1-847-671-4300 • Fax: 1-800-447-8329 or 1-847-671-4380 • www.sloanvalve.com