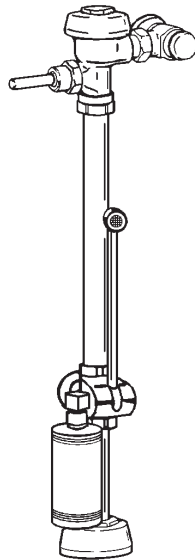
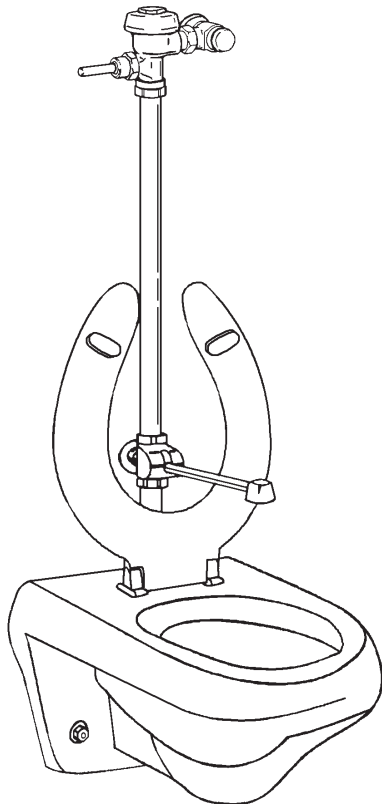


SLOAN®

INSTALLATION INSTRUCTIONS FOR SLIMLINE® BEDPAN WASHER WITH EXPOSED ROYAL® FLUSHOMETER



Slimline® Bedpan Washers

- BPW-1000 Standard
- BPW-1005 With Deoseptic Unit
- BPW-1010 With Retrofit Elbow
- BPW-1015 With Retrofit Elbow & Deoseptic Unit

Slimline® Bedpan Washers for ADA Installations

- BPW-1100 Standard
- BPW-1105 With Deoseptic Unit
- BPW-1110 With Retrofit Elbow
- BPW-1115 With Retrofit Elbow & Deoseptic Unit
- BPW-1150 With Grab Bar Offset
- BPW-1155 With Grab Bar Offset & Deoseptic Unit

Slimline® Bedpan Washers — Diverter Assemblies

- DV-100 Standard
- DV-105 With Deoseptic Unit
- DV-110 For ADA Installation
- DV-115 For ADA Installation With Deoseptic Unit
- DV-120 With Grab Bar Offset
- DV-125 With Grab Bar Offset & Deoseptic Unit
- DV-130 Replacement Model
- DV-135 Replacement Model With Deoseptic Unit

Made in the U.S.A.

Installation of the Sloan Slimline® Bedpan Washer and Royal® Flushometer provides convenience *plus* the water economy that makes it one of the most dependable flushing systems ever. The Slimline's design provides for a hygienic, efficient and aesthetically pleasing installation.

The Sloan Bedpan Washer and Flushometer is designed for easy installation and maintenance and comes complete with a metal oscillating ADA compliant Non-Hold-Open handle, diverter valve assembly with spray arm, Bak-Chek®

control stop with vandal resistant stop cap, adjustable tailpiece, vacuum breaker flush connection, wall support and spud coupling for 1-1/2" top spud, wall and spud flanges and deoseptic unit when applicable.

The following instructions will serve as a guide when installing the Sloan Bedpan Washer and Flushometer. As always, good safety practices and care are recommended when installing your new Bedpan Washer and Flushometer. If further assistance is required, contact your nearest Sloan Representative office.

LIMITED WARRANTY

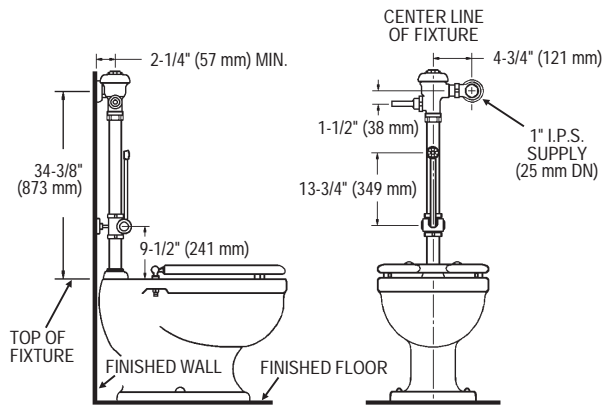
Sloan Valve Company warrants its Slimline Bedpan Washer to be made of first class materials, free from defects of material or workmanship under normal use and to perform the service for which they are intended in a thoroughly reliable and efficient manner when properly installed and serviced, for a period of three years (1 year for special finishes) from date of purchase. During this period, Sloan Valve Company will, at its option, repair or replace any part or parts which prove to be thus defective if returned to Sloan Valve Company, at customer's cost, and this shall be the sole remedy available under this warranty. No claims will be allowed for labor, transportation or other incidental costs. This warranty extends only to persons or organizations who purchase Sloan Valve Company's products directly from Sloan Valve Company for purpose of resale.

THERE ARE NO WARRANTIES WHICH EXTEND BEYOND THE DESCRIPTION ON THE FACE HEREOF. IN NO EVENT IS SLOAN VALVE COMPANY RESPONSIBLE FOR ANY CONSEQUENTIAL DAMAGES OF ANY MEASURE WHATSOEVER.

VALVE ROUGH-IN — Figure 1

STANDARD INSTALLATION

BPW 1000/1005 DV-100/105



FLUSH VOLUME

BPW VALVE CAN BE PROVIDED WITH THE FOLLOWING FLUSHING VOLUMES:

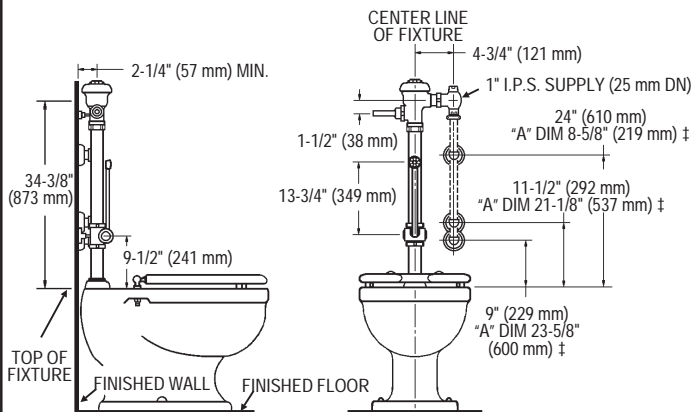
- Standard — Water Saver, 3.5 gpf (13.2 Lpf)
- “-1.6” — Low Consumption, 1.6 gpf (6.0 Lpf)
- “-2.4” — 2.4 gpf (9.0 Lpf)

These instructions also for use with Slimline Bedpan Washers with Sloan Naval, Dolphin, GEM and Regal Flushometers.

RETROFIT INSTALLATIONS

BPW 1010/1015 DV-100/105-R

USE WHEN INSTALLING WITH EXISTING WATER SUPPLY ROUGH-IN

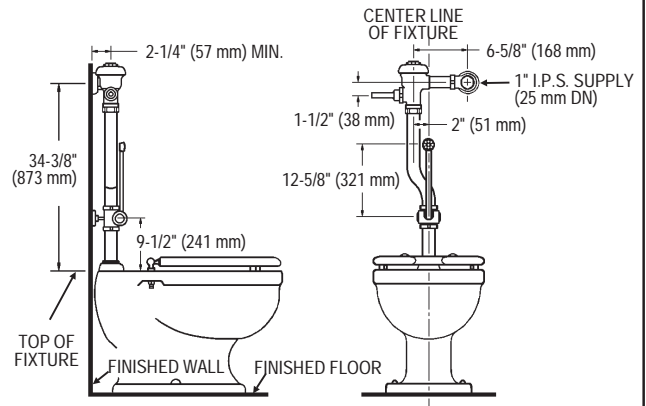


‡ DIMENSION “A” IS LENGTH OF PIPE REQUIRED TO RAISE THE SUPPLY TO THE CONTROL STOP. ELBOW FITTING SUPPLIED.

BPW RETROFIT WITH 2" OFFSET

DV-130/135

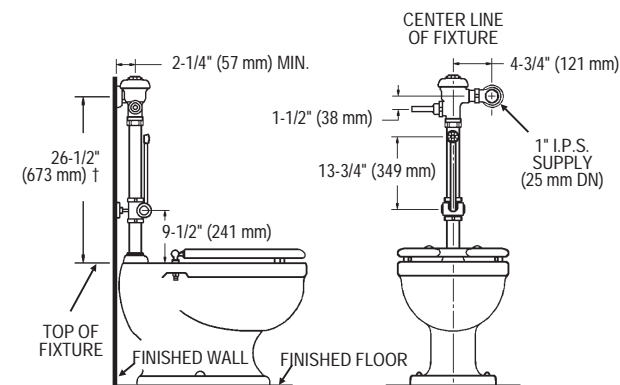
USED TO REPLACE OLD STYLE AMERICAN STERILIZER AND CHICAGO FACET BEDPAN WASHERS



ADA INSTALLATION

BPW 1100/1105 DV-110/115

USE WHEN VALVE MUST MEET 44" (1118 mm) MAX. HANDLE HEIGHT REQUIREMENT PER THE AMERICANS WITH DISABILITIES ACT

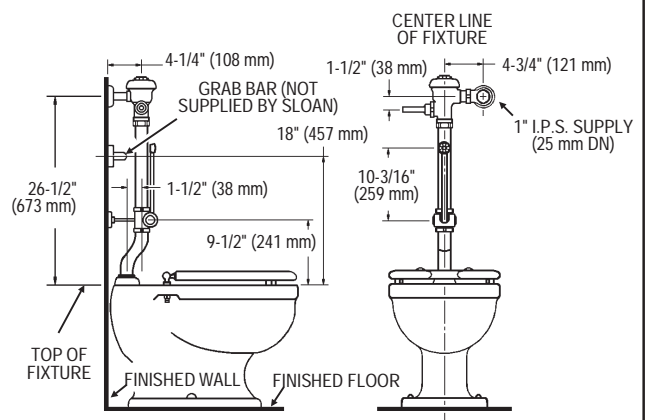


† IF VALVE IS NOT PROVIDED WITH 13-1/2" (343 mm) V-600-AA VACUUM BREAKER, CUT VACUUM BREAKER TUBE TO SIZE TO MEET ROUGH-IN HEIGHT.

BPW-1150/1155

DV-120/125

USE WHEN INSTALLATION REQUIRES CLEARANCE AROUND GRAB BARS



PRIOR TO INSTALLATION

Prior to installing the Sloan Bedpan Washer and Flushometer, install the items listed below as illustrated in Figure 1.

- Closet fixture
- Drain line
- Water supply line

Important:

- **ALL PLUMBING IS TO BE INSTALLED IN ACCORDANCE WITH APPLICABLE CODES AND REGULATIONS.**
- **WATER SUPPLY LINES MUST BE SIZED TO PROVIDE AN ADEQUATE VOLUME OF WATER FOR EACH FIXTURE.**
- **FLUSH ALL WATER LINES PRIOR TO MAKING CONNECTIONS.**

The Sloan ROYAL[®] is designed to operate with 10 to 100 PSI (69 to 689 kPa) of water pressure. THE MINIMUM PRESSURE REQUIRED TO THE VALVE IS DETERMINED BY THE TYPE OF FIXTURE SELECTED. Consult fixture manufacturer for pressure requirements.

Most Low Consumption water closets (1.6 gallon/6 liter) require a minimum flowing pressure of 25 psi (172 kPa).

In a low consumption variation (1.6 gallon/6 liter flush), the valve may require two or more flushes to adequately clean the bedpan.

Protect the Chrome or Special finish of this Flushometer — DO NOT USE TOOTHED TOOLS TO INSTALL OR SERVICE THE VALVE. Also, see "Care and Cleaning" section of this manual.

IMPORTANT: WITH THE EXCEPTION OF CONTROL STOP INLET, DO NOT USE PIPE SEALANT OR PLUMBING GREASE ON ANY VALVE COMPONENT OR COUPLING!

TOOLS REQUIRED FOR INSTALLATION

- Slotted screwdriver
- Sloan A-50 "Super-Wrench™" or smooth jawed spud wrench

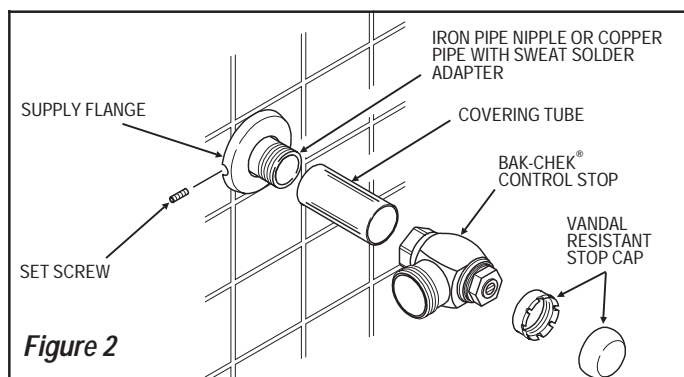
INSTALLATION

For retrofit applications, begin installation at Step 3.

Step 1 — Control Stop Installation (Figure 2)

Install the Sloan Bak-Chek[®] control stop to the water supply line with the outlet positioned as required.

For Sweat Solder applications, see recommended instructions included in the Sloan Sweat Solder Kit.



Step 2 — Flush Out Supply Line

Open control stop. Turn on water supply to flush line of any debris or sediment. Close control stop.

Step 3 — Install Flanged Outlet Tube (Figure 3)

Slide the diverter valve coupling nut, spud coupling, nylon slip gasket, rubber gasket and spud flange over the flanged outlet tube and insert tube into fixture spud. Hand tighten spud coupling onto fixture spud. Place tube gasket on top of flanged outlet tube as shown.

Step 4 — Install Diverter Valve (Figure 4)

Position diverter valve on top of tube gasket and secure with diverter valve coupling nut; tightening hand tight.

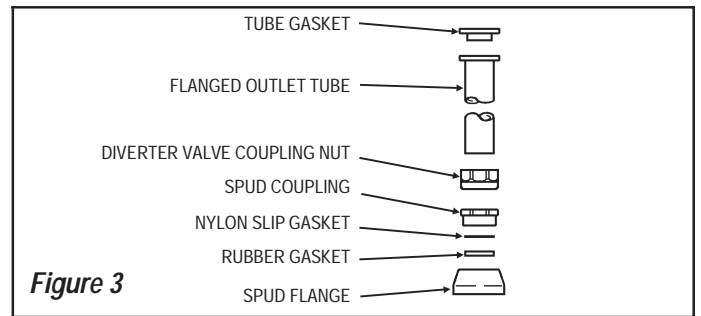


Figure 3

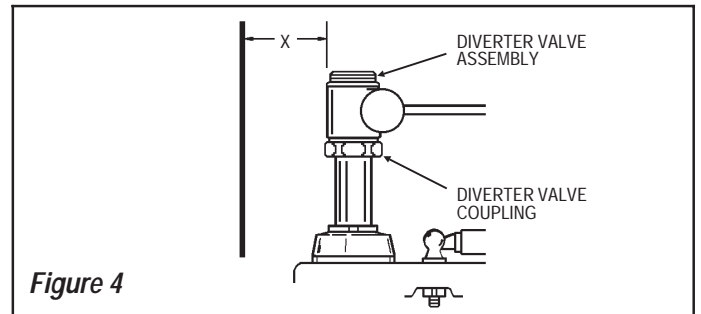


Figure 4

Step 5 — Install Wall Support Flange

Determine required length of support rod by measuring distance between finished wall and back of diverter valve at support rod hole. Add 1/4" (6 mm) to the length determined and cut the support rod to size. Refer to Figure 4.

Turn the diverter valve assembly to allow threading support rod into back of diverter body. Slide wall support flange onto support rod and turn the diverter valve assembly so that wall support flange is flush with wall. Use wall support flange as a template and mark off holes on finished wall for mounting screws. Refer to Figure 5 for details.

Remove diverter valve assembly and drill a 5/16" (8 mm) hole at the two locations marked. Install an anchor in each 5/16" (8 mm) hole.

Position diverter valve on top of adapter ring and secure with diverter valve coupling; tightening hand tight.

Rotate diverter valve so that support rod flange mounting holes are aligned with two mounting holes in finished wall. Secure using the two (2) screws provided.

Tighten set screw in wall support flange. Refer to Figure 6.

Step 6 — Install Deoseptic Unit DEOSEPTIC MODELS ONLY (Figure 6)

Connect aspirator tube to deoseptic swivel. Screw bottle onto deoseptic swivel.

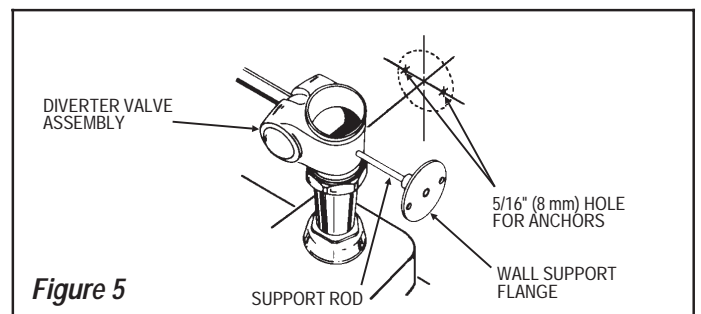


Figure 5

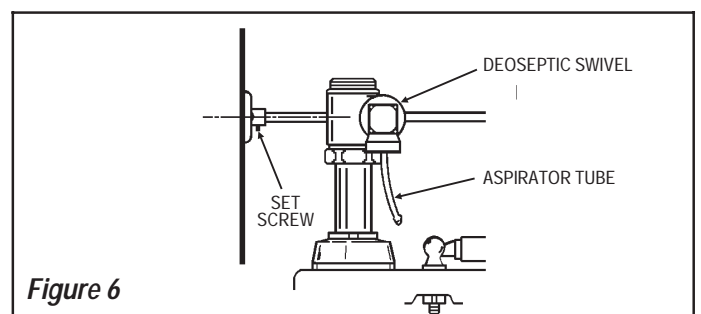


Figure 6

Step 7 — Install Vacuum Breaker Flush Connection (Figure 7)

Slide the diverter valve coupling nut, nylon slip gasket and rubber gasket over the vacuum breaker tube and secure tube to diverter valve. Hand tighten diverter valve coupling nut onto diverter valve assembly.

Length of vacuum breaker tube may be shortened to accommodate lower valve installation height.

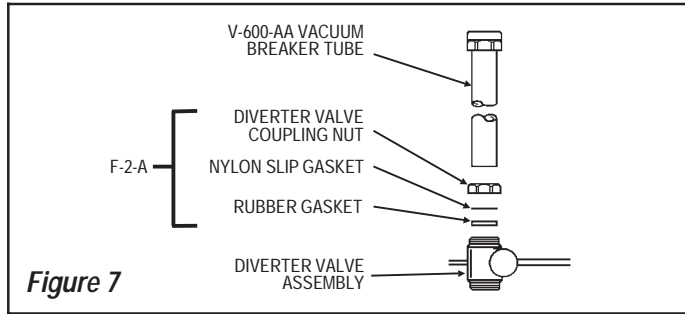


Figure 7

Step 8 — Install Flushometer

SLOAN ADJUSTABLE TAILPIECE (Figure 8)

The Sloan Adjustable Tailpiece compensates for "Off-Center" roughing-in on the job. Maximum adjustment is 1/2" (13 mm) IN or 1/2" (13 mm) OUT from the standard 4-3/4" (121 mm) (centerline of Flushometer to centerline of control stop).

IMPORTANT: WITH THE EXCEPTION OF CONTROL STOP INLET, DO NOT USE PIPE SEALANT OR PLUMBING GREASE ON ANY VALVE COMPONENT OR COUPLING!

ALL FLUSHOMETER INSTALLATIONS (Figure 9)

Insert adjustable tailpiece into control stop. Wet O-Ring seal with water to lubricate. Secure by hand tightening tailpiece coupling.

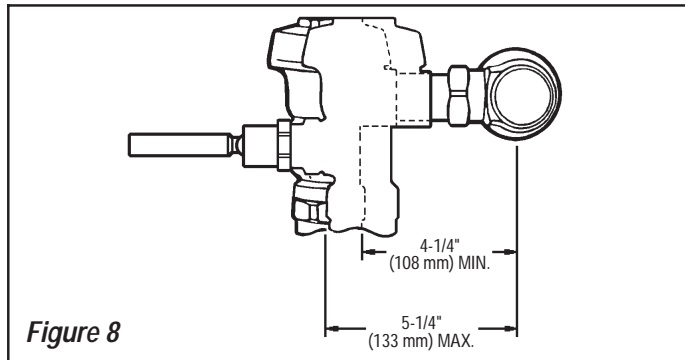


Figure 8

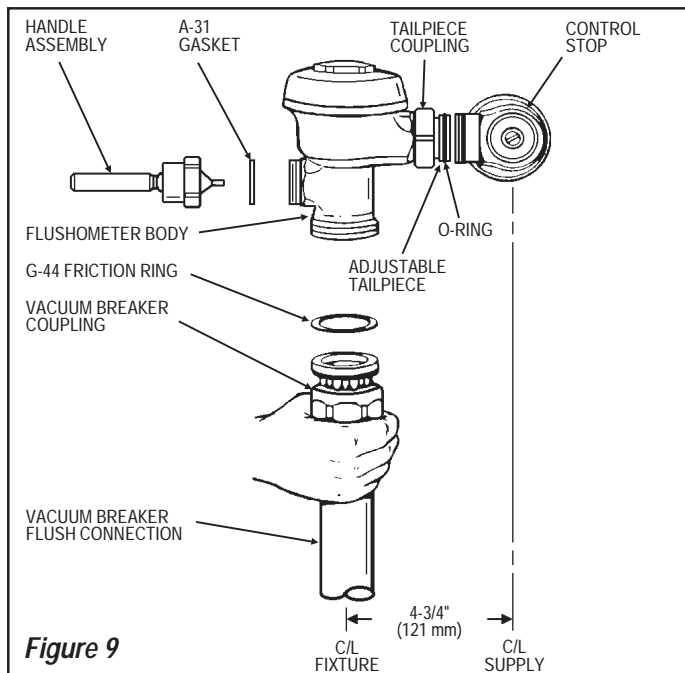


Figure 9

Align Flushometer body on top of vacuum breaker flush connection and secure by hand tightening vacuum breaker coupling.

Align Flushometer body and securely tighten tailpiece coupling, vacuum breaker coupling, top and bottom diverter valve coupling and spud coupling, respectively.

Important Note: Use a Sloan A-50 "Super-Wrench™" or smooth jawed spud wrench to secure all couplings. This will eliminate damage to chrome or special finish that normally occurs when slip-joint pliers, pipe wrenches or other "toothed" tools are used.

Step 9 — Flush Out Supply Line (Figure 10)

Shut off control stop and remove Flushometer cover. Lift out the inside parts assembly as a complete unit. Install Flushometer cover wrench tight and open control stop. Turn on water supply to flush line of any debris or sediment.

After completion, shut off control stop, remove cover and reinstall inside parts assembly. Install Flushometer cover wrench tight.

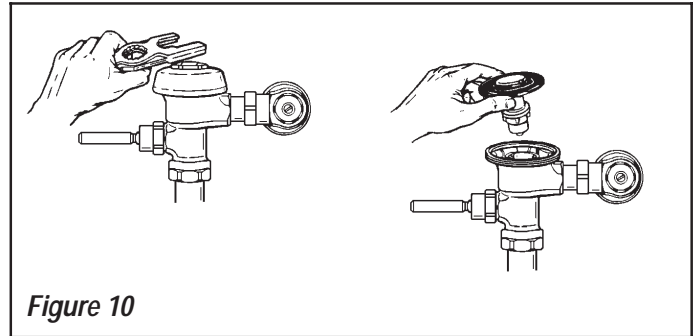


Figure 10

Step 10 — Adjust Control Stop (Figure 11)

Adjust Control Stop to meet the flow rate required for the fixture. Open control stop COUNTERCLOCKWISE 1/2 turn from the closed position. Activate Flushometer. Adjust control stop after each flush until the rate of flow delivered properly cleanses the fixture.

Important Note: The Sloan ROYAL® Flushometer is engineered for quiet operation. Excessive water flow creates noise, while too little water flow may not satisfy the needs of the fixture. Proper adjustment is made when:

1. The plumbing fixture is cleansed after each flush without splashing water out from the lip.
2. A quiet flushing cycle is achieved.

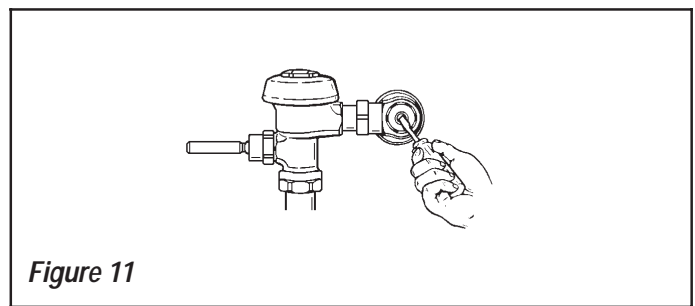


Figure 11

Step 11 — Adjust Volume of Solution Drawn from Deoseptic Bottle (Figure 12)

MODELS WITH DEOSEPTIC UNIT ONLY

Using a screwdriver blade, pry off plug button on side of deoseptic swivel. Turn deoseptic adjustment screw as follows:

- ⌚ Clockwise to DECREASE volume of solution drawn during flush
- ⌚ Counterclockwise to INCREASE volume of solution drawn during flush

Replace plug button after making adjustment.

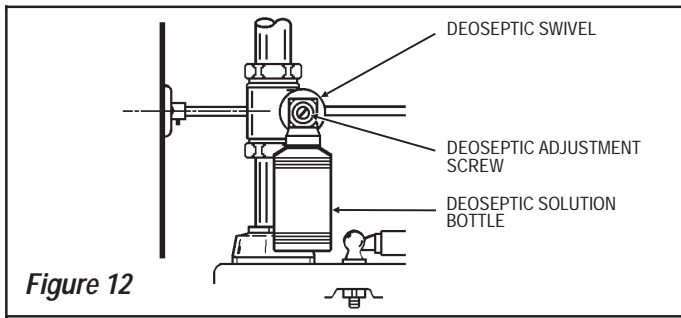


Figure 12

VANDAL RESISTANT CONTROL STOP CAP INSTALLATION INSTRUCTIONS (Figure 13)

1. Thread the Plastic Sleeve onto the Stop Bonnet until it is snug (hand tight only; do not use pliers or a wrench).
2. Place the metal Control Stop Cap over the plastic Sleeve and using the palm of the hand, push or "pop" the Cap over the fingers of the Sleeve. The Cap should spin freely on the insert.

Important: DO NOT install the Cap onto the Sleeve unless the Sleeve has been threaded onto the Control Stop Bonnet. If assembled when off of the Control Stop, the Sleeve WILL NOT come apart from the Cap.

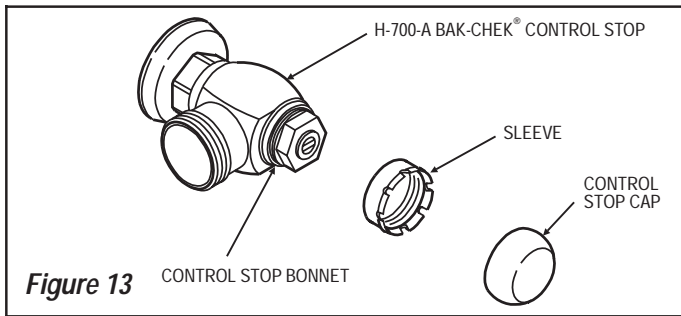


Figure 13

VANDAL RESISTANT CONTROL STOP CAP REMOVAL INSTRUCTIONS (Figure 14)

1. Using a large flat screwdriver, gently lift the Cap from the Control Stop as follows. Insert the screwdriver blade between the bottom edge of the Cap and the flat surface of the Control Stop body as shown in Figure 14. Using the screwdriver as a lever, push the screwdriver handle straight back towards the wall. Gently lift the Cap from the Sleeve. It may be necessary to work the screwdriver around the diameter of the cap to further lift the Cap from the Sleeve.
2. Once the Cap has been lifted away from the Control Stop, grasp the Cap and pull it off the Sleeve.

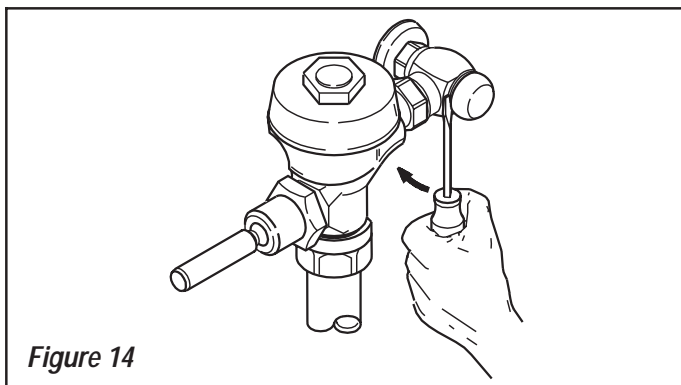


Figure 14

CARE AND CLEANING OF CHROME AND SPECIAL FINISHES

DO NOT use abrasive or chemical cleaners (including chlorine bleach) to clean Flushometers as they may dull the luster and attack the chrome or special decorative finishes. Use ONLY soap and water, then wipe dry with clean cloth or towel.

While cleaning the bathroom tile, the Flushometer should be protected from any splattering of cleaner. Acids and cleaning fluids can discolor or remove chrome plating.

MAINTENANCE

Cleaning Nozzle Spray Disc and Screen (Figure 15)

Remove spray disc retainer by turning counterclockwise. Remove spray disk and screen, and clean with water. Reinstall screen, spray disc and spray disc retainer. Tighten spray disc retainer hand tight.

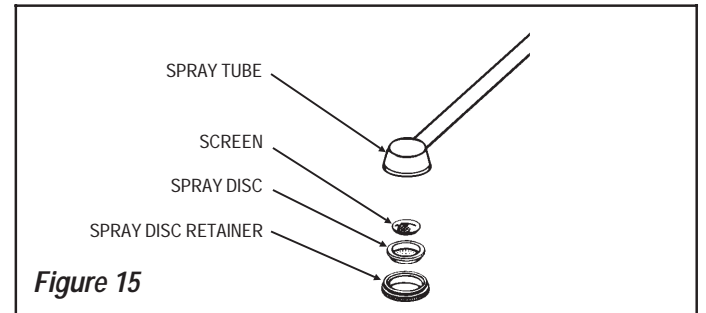


Figure 15

Refilling Deoseptic Bottle (Figure 16)

Remove deoseptic bottle by turning counterclockwise. Fill deoseptic bottle with fluid and reinstall. Tighten deoseptic bottle hand tight.

Cleaning Aspirator Tube (Figure 16)

Remove deoseptic bottle by turning counterclockwise. Remove aspirator tube, clean with warm water and reinstall. Fill deoseptic bottle with fluid if necessary and reinstall. Tighten deoseptic bottle hand tight.

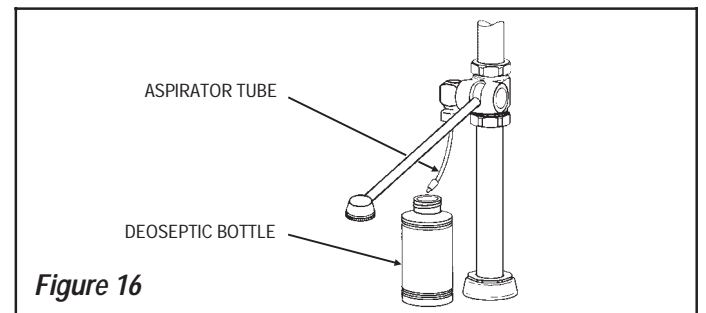
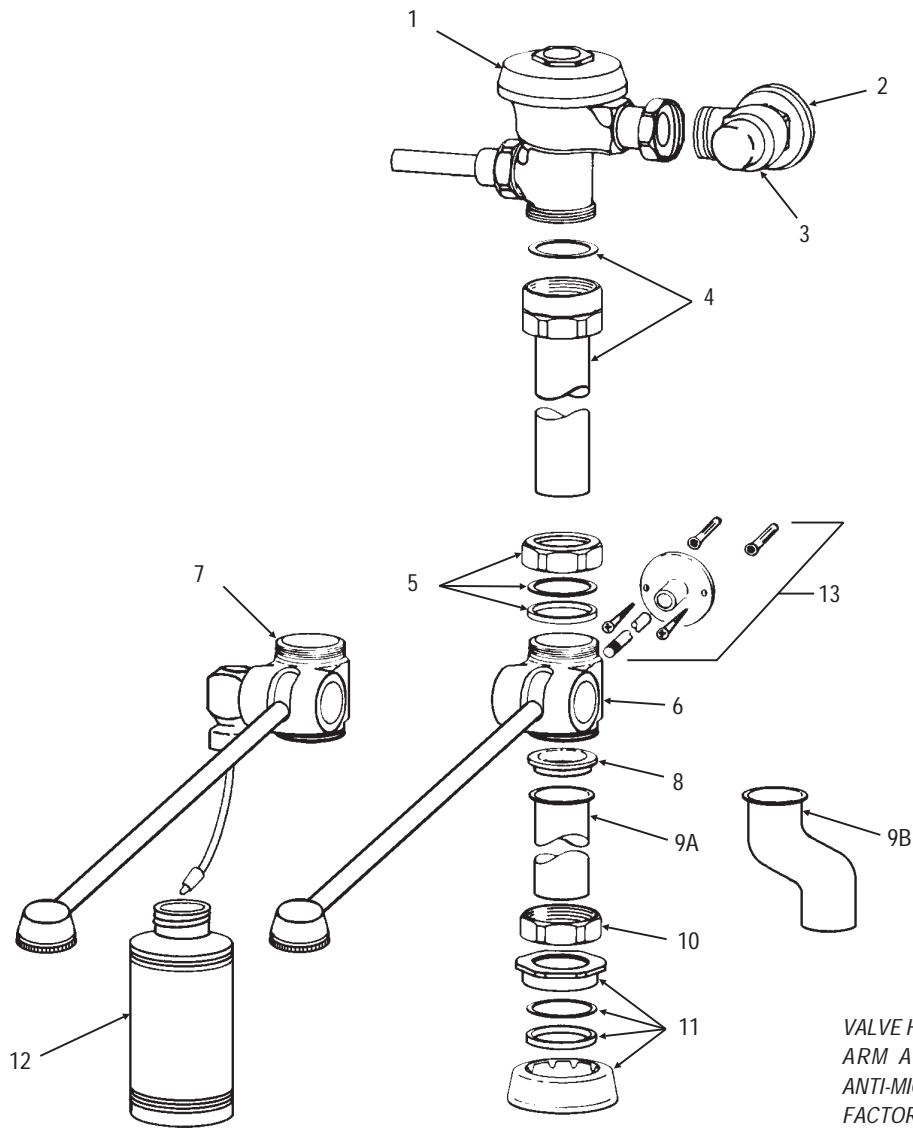


Figure 16

Refer to the Sloan Slimline Bedpan Washer and Royal Flushometer Maintenance Guides for Troubleshooting and Repair Part information.

If further assistance is required, please contact the Sloan Valve Company Installation Engineering Department at 847/671-4300.

PARTS LIST



VALVE HANDLE AND DIVERTER SPRAY ARM AVAILABLE WITH BIO-GARD ANTI-MICROBIAL COATING; CONSULT FACTORY.

Item No.	Part No.	Description
1	—	Royal [®] Flushometer
2	F-7	Supply Flange
3	H-700-A	1" Bak-Chek [®] Control Stop
4	V-600-AA	Vacuum Breaker Assembly
5	F-2-A	1-1/2" Slip Joint Coupling
6	—	Diverter Valve Assembly without Deoseptic Unit
7	—	Diverter Valve Assembly with Deoseptic Unit
8	F-1003	Tube Gasket
9A	F-1005	1-1/2" Flanged Outlet Tube
9B	F-182	1-1/2" Flanged Outlet Tube with 1-1/2" Offset
10	F-2	1-1/2" Coupling Nut
11	F-5-A	1-1/2" Spud Coupling Assembly
12	DV-29	Deoseptic Bottle
13	DV-1001-A	Wall Support Kit

Refer to the Sloan Slimline Bedpan Washer Maintenance Guide for a complete listing of Slimline Parts and Repair Kits.

Refer to the Royal Flushometer Maintenance Guide for Troubleshooting and Repair Part information.

If further assistance is required, please contact the Sloan Valve Company Installation Engineering Department at 847/671-4300.

NOTICE

The information contained in this document is subject to change without notice.