

# Royal® Prison Model Flushometer

9613  
9613-1  
9613-0.5

► **Description**  
Concealed Hydraulically Operated Urinal Flushometer, for stainless steel 3/4" back inlet urinals.

► **Flush Cycle**

- Model 9613 Water Saver (1.5 gpf/5.7 Lpf)
- Model 9613-1 Low Consumption (1.0 gpf/3.8 Lpf)
- Model 9613-0.5 (0.5 gpf/1.9 Lpf)

► **Specifications**  
Quiet, Concealed, Diaphragm Type, Rough Brass Urinal Flushometer for either left or right hand supply with the following features:

- Dual Filtered By-Pass
- Diaphragm, Handle Packing, Stop Seat and Vacuum Breaker to be molded from PERMEX™ rubber compound for Chloramine resistance
- ADA Compliant Non-Hold-Open feature type Actuator (**specify Actuator type listed below**)
- 3/4" I.P.S. Wheel Handle Bak-Chek™ Angle Stop
- Adjustable Tailpiece
- High Back Pressure Vacuum Breaker
- Elbow Flush Connection
- Coupling for 3/4" NPT Back Inlet Urinals (for connection in the pipe chase - flush connection through the wall not provided by Sloan)
- Sweat Solder Adapter
- Exposed parts Chrome Plated

Valve Body, Cover, Tailpiece and Control Stop shall be in conformance with ASTM Alloy Classification for Semi-Red Brass. Valve shall be in compliance to the applicable sections of ASSE 1037, ANSI/ASME 112.19.6, and Military Specification V-29193.

► **Actuator Types:** (please check one)

- MBFW** Metal Button Fixture Wall Actuator (HY-100-A) (rear access)
- MBPM** Metal Button Panel Mount (HY-108-A) for use only with Wall Box

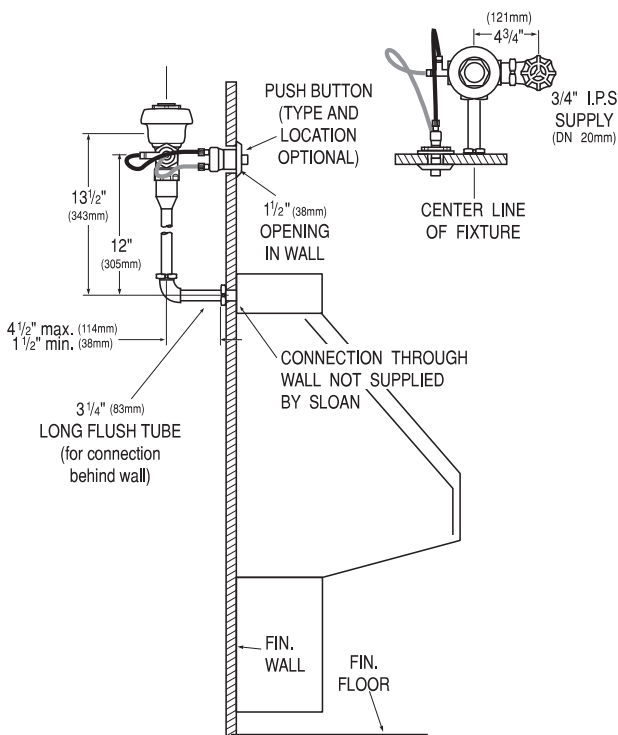
See Actuator Section of the Sloan catalog for details on Actuators.

► Prison Flushometers can also be provided in Regal® Models. All rough-in dimensions remain the same.

See Accessories Section of the Sloan catalog for details on these and other Flushometer variations.



Listed by I.A.P.M.O.



This space for Architect/Engineer approval

The information contained in this document is subject to change without notice.

Made in the U.S.A.

# SLOAN®

SLOAN VALVE COMPANY • 10500 SEYMOUR AVE. • FRANKLIN PARK, IL 60131  
PHONE: 1-800 982-5839 • FAX: 1-800 447-8329 • <http://www.sloanvalve.com>