

# Royal® Model Flushometer

# 323 323-1.0



## ► Description

Concealed Urinal Foot Pedal Flushometer, for 3/4" concealed back spud urinals.

## ► Flush Cycle

- Model 323 Water Saver (1.5 gpf/5.7 Lpf)
- Model 323-1.0 Low Consumption (1.0 gpf/3.8 Lpf)

## ► Specifications

Quiet, Concealed, Diaphragm Type, Rough Brass Urinal Flushometer for either left or right hand supply with the following features:

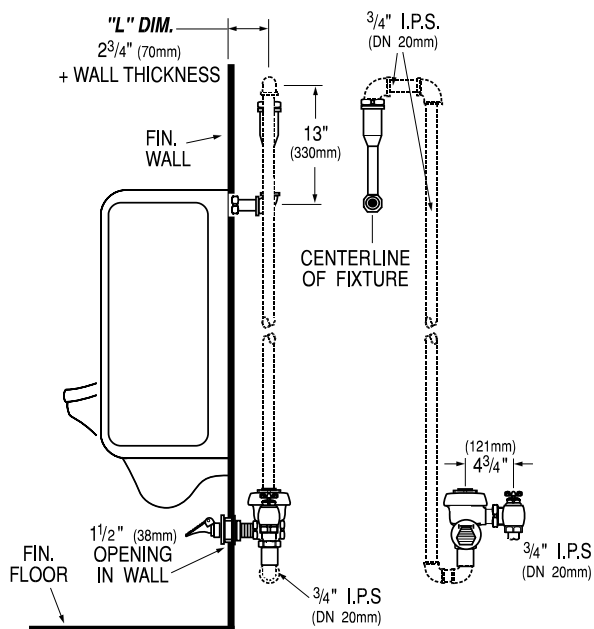
- PERMEX™ Synthetic Rubber Diaphragm with Dual Filtered Fixed Bypass
- Metal Non-Hold-Open Foot Pedal with Triple Seal Handle Packing
- 3/4" I.P.S. Wheel Handle Bak-Chek™ Angle Stop
- Adjustable Tailpiece
- High Back Pressure Vacuum Breaker
- 3/4" Female I.P.S. Union Outlet
- 3/4" Female Inlet Adapter, Elbow Flush Connection and Spud Coupling for 3/4" Concealed Back Spud
- Sweat Solder Adapter
- Exposed Parts Chrome Plated
- High Copper, Low Zinc Brass Castings for Dezincification Resistance
- Non-Hold-Open Foot Pedal, Fixed Metering Bypass and No External Volume Adjustment to Ensure Water Conservation
- Flush Accuracy Controlled by CID™ Technology
- Diaphragm, Handle Packing, Stop Seat and Vacuum Breaker to be molded from PERMEX™ Rubber Compound for Chloramine Resistance

Valve Body, Cover, Tailpiece and Control Stop shall be in conformance with ASTM Alloy Classification for Semi-Red Brass. Valve shall be in compliance to the applicable sections of ASSE 1037, ANSI/ASME 112.19.6, and Military Specification V-29193.

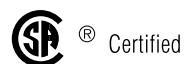
## ► L Dimension

Specify the "L" Dimension for the proper length of the Pedal Assembly and Flush Connection. The "L" Dimension is equal to the Wall Thickness (to the nearest whole inch) plus 2 3/4" (70 mm).

See Accessories Section of the Sloan catalog for details on these and other Flushometer variations.



**NOTE:** Flush Connections shown in dotted lines not included.



This space for Architect/Engineer approval

The information contained in this document is subject to change without notice.

# SLOAN®

Made in the U.S.A.  
SLOAN VALVE COMPANY • 10500 SEYMOUR AVE. • FRANKLIN PARK, IL. 60131  
Ph: 1-800-9-VALVE-9 or 1-847-671-4300 • Fax: 1-800-447-8329 or 1-847-671-4380  
<http://www.sloanvalve.com>