

# Royal<sup>®</sup> Model Flushometer

# 150 150-1.6



! Description  
Concealed Water Closet Flushometer — 1" I.P.S. Outlet, for bowls and flushing rim floor drains.

! Flush Cycle  
! Model 150 Water Saver (3.5 gpf/13.2 Lpf)  
! Model 150-1.6 Low Consumption (1.6 gpf/6.0 Lpf)

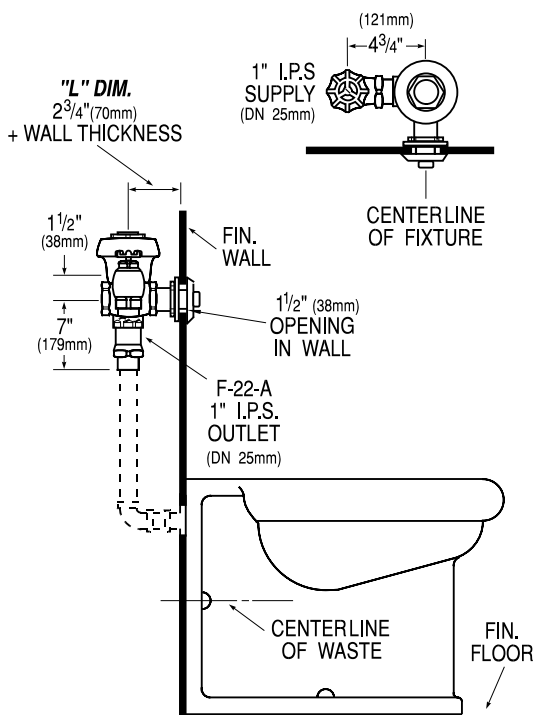
! Specifications  
Quiet, Concealed, Diaphragm Type, Rough either left or right hand supply with the following features:

- PERMEX™ Synthetic Rubber Diaphragm Bypass
- Metal Direct Acting, Non-Hold-Open Push Button Packing
- 1" I.P.S. Wheel Handle Back-Check™ Anti-Backflow
- Adjustable Tailpiece
- High Back Pressure Vacuum Breaker
- 1" Female I.P.S. union outlet (no flush connection)
- Sweat Solder Adapter
- Exposed parts Chrome Plated
- High Copper, Low Zinc Brass Castings
- Non-Hold-Open Push Button, Fixed Minimum Volume Adjustment to Ensure Water Conservation
- Flush Accuracy Controlled by CID™ Technology
- Diaphragm, Handle Packing, Stop Seal molded from PERMEX™ Rubber Compound

Valve Body, Cover, Tailpiece and Control with ASTM Alloy Classification for Semi-Red Lead compliance to the applicable sections of AS 112.19.6, and Military Specification V-29193.

! L Dimension  
Specify the "L" Dimension for the proper length Assembly and Flush Connection. The "L" Dimension Thickness (to the nearest whole inch) plus 2 3/4 inches.

! Variations



NOTE : Flush Connections shown in dotted lines not included.

