



# Royal® Prison Model 603 Flushometer 603-1.6

## ► Description

Concealed Water Closet Flushometer, for Stainless Steel Combination Fixtures. For use with: Acorn® • Bradley® • Metcraft® (Series 3000) • Willoughby® and similar fixtures.

## ► Flush Cycle

- Model 603 Water Saver (3.5 gpf/13.2 Lpf)
- Model 603-1.6 Low Consumption (1.6 gpf/6.0 Lpf)

## ► Specifications

Quiet, Concealed, Diaphragm Type, Rough Brass Closet Flushometer for either left or right hand supply with the following features:

- Dual Filtered By-Pass
- Diaphragm, Handle Packing, Stop Seat and Vacuum Breaker to be molded from PERMEX™ rubber compound for Chloramine resistance
- Metal Non-Hold-Open Push Button with a Triple Seal Handle Packing
- 1" I.P.S. Wheel Handle Bak-Chek™ Angle Stop
- Adjustable Tailpiece
- High Back Pressure Vacuum Breaker
- Elbow Flush Connection and Coupling for 1½" NPT Back Inlet (for connection in the pipe chase - flush connection through the wall not provided by Sloan)
- Sweat Solder Adapter
- Exposed parts Chrome Plated

Valve Body, Cover, Tailpiece and Control Stop shall be in conformance with ASTM Alloy Classification for Semi-Red Brass. Valve shall be in compliance to the applicable sections of ASSE 1037, ANSI/ASME 112.19.6, and Military Specification V-29193.

## ► L Dimension

Specify the "L" Dimension for the proper length of the Push Button Assembly. The "L" Dimension is equal to the Wall Thickness (to the nearest whole inch) plus 4¾".

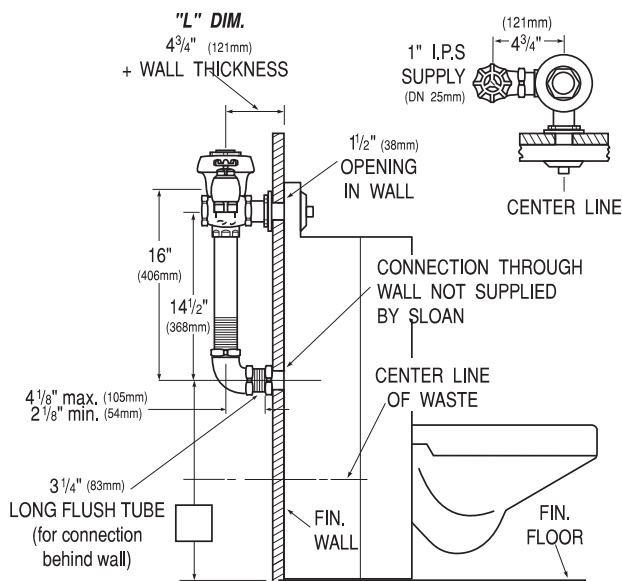
## ► Variations

- AFD** Shorter Vacuum Breaker - for use with Anti-Flood Device (Anti-Flood Device NOT provided by Sloan) \*Not required for use with Bradley Flood Buster®
- ES** Solenoid Operated (specify 24 VAC or 120 VAC)
- ESM** Solenoid Operated with Modular Plug for use with Sloan PWT Systems (24 VAC only)
- TP** Trap Primer Elbow

► For Hydraulic Operation use Flushometer Model 9603

► Prison Flushometers can also be provided in Regal® and/or Naval® Models. All rough-in dimensions remain the same.

See Accessories Section of the Sloan catalog for details on these and other Flushometer variations.



This space for Architect/Engineer approval

The information contained in this document is subject to change without notice.

# SLOAN®

Made in the U.S.A.

SLOAN VALVE COMPANY • 10500 SEYMOUR AVE. • FRANKLIN PARK, IL 60131  
 PHONE: 1-800 982-5839 • FAX: 1-800 447-8329 • <http://www.sloanvalve.com>