

# Royal® Model Flushometer

# 117



► **Description**  
Exposed Service Sink Flushometer, for use with top spud Service Sinks.

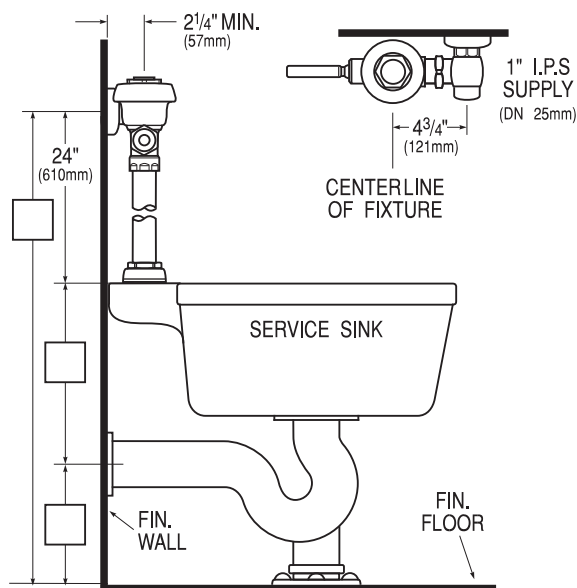
► **Flush Cycle**  
 Model 117 (6.5 gpf/24.6 Lpf)

- **Specifications**  
Quiet, Exposed, Diaphragm Type, Chrome Plated Service Sink Flushometer with the following features:
- PERMEX™ Synthetic Rubber Diaphragm with Dual Filtered Fixed Bypass
  - ADA Compliant Metal Oscillating Non-Hold-Open Handle with Triple Seal Handle Packing
  - 1" I.P.S. Screwdriver Bak-Chek® Angle Stop
  - Free Spinning Vandal Resistant Stop Cap
  - Adjustable Tailpiece
  - High Back Pressure Vacuum Breaker Flush Connection with One-piece Bottom Hex Coupling Nut
  - Spud Coupling and Flange for 1½" Top Spud
  - Sweat Solder Adapter with Cover Tube and Cast Set Screw Wall Flange
  - High Copper, Low Zinc Brass Castings for Dezincification Resistance
  - Non-Hold-Open Handle, Fixed Metering Bypass and No External Volume Adjustment to Ensure Water Conservation
  - Flush Accuracy Controlled by CID™ Technology
  - Diaphragm, Handle Packing, Stop Seat and Vacuum Breaker molded from PERMEX™ Rubber Compound for Chloramine Resistance
  - 100% of the energy used in manufacturing is offset with Renewable Energy Sources – Wind Energy

Valve Body, Cover, Tailpiece and Control Stop shall be in conformance with ASTM Alloy Classification for Semi-Red Brass. Valve shall be in compliance to the applicable sections of ASSE 1037, ANSI/ASME 112.19.2.

- **Variations**
- H** Handle on Front of Valve
  - HL-3** 3" Metal Oscillating Push Button on front of valve
  - O** Offset Vacuum Breaker, Specify: 1" - 1½" - 2"
  - YJ** Split Ring Pipe Support
  - YK** Solid Ring Pipe Support
  - SG** SaniGuard® Antimicrobial Handle and Socket

See Accessories Section of the Sloan catalog for details on these and other Flushometer variations.



This space for Architect/Engineer approval

Job Name \_\_\_\_\_ Date \_\_\_\_\_

Model Specified \_\_\_\_\_ Quantity \_\_\_\_\_

Variations Specified \_\_\_\_\_

Customer/Wholesaler \_\_\_\_\_

Contractor \_\_\_\_\_

Architect \_\_\_\_\_

The information contained in this document is subject to change without notice.

## SLOAN®

Made in the U.S.A.  
SLOAN VALVE COMPANY • 10500 SEYMOUR AVE. • FRANKLIN PARK, IL. 60131  
Ph: 1-800-982-5839 or 1-847-671-4300 • Fax: 1-800-447-8329 or 1-847-671-4380  
www.sloanvalve.com