

Hydraulic Royal® Prison Model Flushometer

9611



► Description

Concealed, Hydraulically Activated, Water Closet Flushometer for wall hung stainless steel back inlet bowls.

► Flush Cycle

- Model 9611 Water Saver (3.5 gpf/13.2 Lpf)
- Model 9611-1.6 Low Consumption (1.6 gpf/6.0 Lpf)

► Specifications

Quiet, Concealed, Diaphragm Type, Rough Brass Closet Flushometer for either left or right hand supply with the following features:

- PERMEX™ Synthetic Rubber Diaphragm w/Dual Filtered Fixed Bypass
- ADA Compliant Non-Hold-Open Actuator (**specify Actuator type listed below**)
- 1" I.P.S. Wheel Handle Bak-Chek™ Angle Stop
- Adjustable Tailpiece
- High Back Pressure Vacuum Breaker
- Elbow Flush Connection and Coupling for 1½" NPT Back Inlet (for connection in the pipe chase — flush connection through the wall not provided by Sloan)
- Sweat Solder Adapter
- Exposed Parts Chrome Plated
- High Copper, Low Zinc Brass Castings for Dezincification Resistance
- Non-Hold-Open Push Button, Fixed Metering Bypass and No External Volume Adjustment to Ensure Water Conservation
- Flush Accuracy Controlled by CID™ Technology
- Diaphragm, Stop Seat and Vacuum Breaker molded from PERMEX™ Rubber Compound for Chloramine Resistance

Valve Body, Cover, Tailpiece and Control Stop shall be in conformance with ASTM Alloy Classification for Semi-Red Brass. Valve shall be in compliance to the applicable sections of ASSE 1037, ANSI/ASME 112.19.2, and Military Specification V-29193.

► Actuator Types: (please check one)

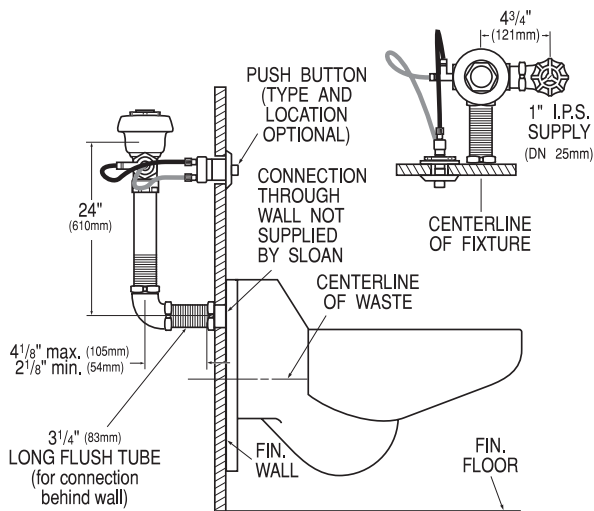
- MBFW** Metal Button Fixture Wall Actuator (HY-100-A) (rear access)
- MBPM** Metal Button Panel Mount (HY-108-A) for use only with Wall Box See Hydraulic Flushometer Section of the Sloan catalog for details on Actuators.

► Variations

- AFD** Shorter Vacuum Breaker - for use with Anti-Flood Device (Anti-Flood Device NOT provided by Sloan)
- TP** Trap Primer Elbow

Prison Flushometers can also be provided in Regal® Models. All rough-in dimensions remain the same.

See Accessories Section of the Sloan catalog for details on these and other Flushometer variations.



This space for Architect/Engineer approval

Job Name _____ Date _____

Model Specified _____ Quantity _____

Variations Specified _____

Customer/Wholesaler _____

Contractor _____

Architect _____

The information contained in this document is subject to change without notice.

SLOAN®

Made in the U.S.A.

SLOAN VALVE COMPANY • 10500 SEYMOUR AVE. • FRANKLIN PARK, IL. 60131
Ph: 1-800-9-VALVE-9 or 1-847-671-4300 • Fax: 1-800-447-8329 or 1-847-671-4380

www.sloanvalve.com

