

Hydraulic Regal® Model 952 Flushometer

952 and 952-1.6 Models



► **Description**

Concealed Hydraulically Operated Regal® Water Closet Flushometer for wall hung concealed back spud bowls.

► **Flush Cycle**

- Regal® Model 952 Water Saver (3.5 gpf/13.2 Lpf)
- Regal® Model 952-1.6 Low Consumption (1.6 gpf/6.0 Lpf)

► **Specifications**

Quiet, Concealed, Diaphragm Type, Rough Brass Closet Flushometer for either left or right hand supply with the following features:

- ADA Compliant Non-Hold-Open feature type Actuator (**specify Actuator type listed below**)
- 1" I.P.S. Wheel Handle Bak-Chek™ Angle Stop
- Adjustable Tailpiece
- Vacuum Breaker
- Double Slip Elbow Flush Connection and Spud Coupling for 1 1/2" Concealed Back Spud
- Low Consumption flush accuracy controlled by Para-Flo™ Inside Parts Kit
- Stop Seat and Vacuum Breaker to be molded from PERMEX™ rubber compound for Chloramine resistance

Valve Body, Cover, Tailpiece and Control Stop shall be in conformance with ASTM Alloy Classification for Semi-Red Brass. Valve shall be in compliance to the applicable sections of ASSE 1037, ANSI/ASME 112.19.6, and Military Specification V-29193.

► **L Dimension**

Specify the "L" Dimension for the proper length of the Flush Connection. The "L" Dimension is equal to the Wall Thickness (to the nearest whole inch) plus 2 3/4".

► **Actuator Types:** (please check one)

- FW** Fixture Wall Actuator (HY-33-A) (rear access required)
- MP** Metal Partition Actuator (HY-49-A)
- SW** Side Wall Mounted Actuator (HY-72-A)
- MBFW** Metal Button Fixture Wall Actuator (HY-100-A)(rear access required)
- MBPM** Metal Button Panel Mount (HY-108-A)

See Actuator Specification pages for additional details on Actuators.

► **Variations**

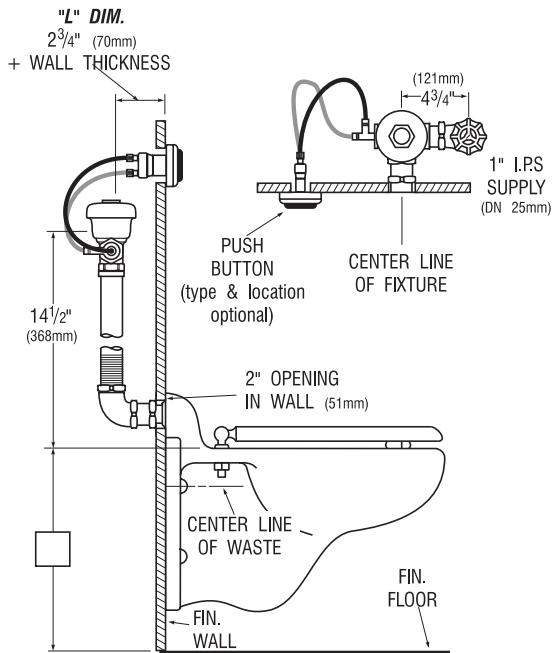
- TP** Trap Primer Elbow
- YB** Sweat Solder Adapter
- YI** Two Wall Bumpers (for open front seat without cover)

REGAL XL

Flushometer includes Vandal Resistant Stop Cap with Set Screw, and Sweat Solder Adapter with Cover Tube and Cast Set Screw Wall Flange.

See Accessories Section of the Sloan catalog for details on these and other Flushometer variations.

► Hydraulic Flushometers can also be provided in Royal® Models. All rough-in dimensions remain the same. Consult the factory.



NOTE: Specify Actuator variation

© Copyright 1999 (8/99) SLOAN VALVE COMPANY Printed in U.S.A.



® Listed by I.A.P.M.O.

Made In The USA

This space for Architect/Engineer approval

The information contained in this document is subject to change without notice.

SLOAN

Made in the U.S.A.

SLOAN VALVE COMPANY • 10500 SEYMOUR AVE. • FRANKLIN PARK, IL 60131
 PHONE: 1-800-982-5839 • FAX: 1-800-447-8329 • <http://www.sloanvalve.com>