

# Gem•2® Model Flushometer

# 115



Listed by I.A.P.M.O.

## Description

Exposed, Water Closet Flushometer for floor mounted or wall hung top spud bowls.

## Flush Cycle

- Model 115 Water Saver (3.5 gpf/13.2 Lpf)
- Model 115-1.6 Low Consumption (1.6 gpf/6.0 Lpf)

## Specifications

Quiet, Exposed, Piston Type, Chrome Plated Closet Flushometer with the following features:

- Fixed Volume Piston with Filtered O-ring Bypass
- ADA Compliant Metal Oscillating Non-Hold-Open Handle
- 1" I.P.S. Screwdriver Bak-Chek® Angle Stop
- Locking Vandal Resistant Stop Cap
- Adjustable Tailpiece
- Vacuum Breaker Flush Connection
- Spud Coupling, Wall and Spud Flanges for 1½" Top Spud
- High Copper, Low Zinc Brass Castings for Dezincification Resistance
- Non-Hold-Open Handle and No External Volume Adjustment to Ensure Water Conservation
- Handle Packing, Stop Seat and Vacuum Breaker Molded from PERMEX™ Rubber Compound for Chloramine Resistance

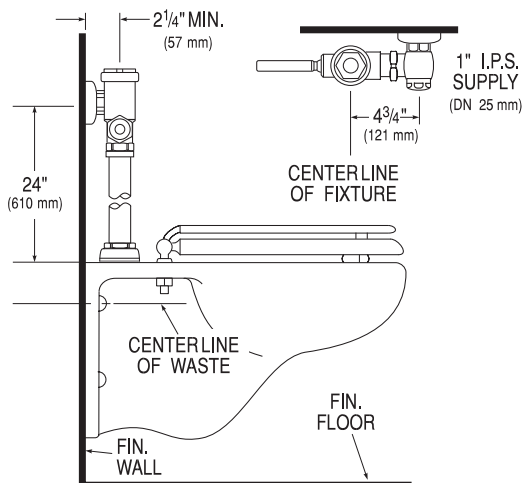
Valve Body, Cover, Tailpiece and Control Stop shall be in conformance with ASTM Alloy Classification for Semi-Red Brass. Valve shall be in compliance to the applicable sections of ASSE 1037, ANSI/ASME A112.19.2, and Military Specification V-29193.

## Variations

- TP** Trap Primer
- XYV** Less Vacuum Breaker
- YB** Sweat Solder Adapter Kit
- YBYC** Sweat Solder Adapter & Cast Wall Flange with Set Screw
- YJ** Split Ring Pipe Support
- YK** Solid Ring Pipe Support
- YI** Two Wall Bumpers (for open front seat without cover)

Note: Bak Chek® Angle Stop available with 1" Whitworth Thread (please specify).

See Accessories Section of the Sloan catalog for details on these and other Flushometer variations.



This space for Architect/Engineer approval

Job Name \_\_\_\_\_ Date \_\_\_\_\_

Model Specified \_\_\_\_\_ Quantity \_\_\_\_\_

Variations Specified \_\_\_\_\_

Customer/Wholesaler \_\_\_\_\_

Contractor \_\_\_\_\_

Architect \_\_\_\_\_

The information contained in this document is subject to change without notice.

**SLOAN®**



SLOAN VALVE COMPANY • 10500 SEYMOUR AVE. • FRANKLIN PARK, IL. 60131  
Ph: 1-800-9-VALVE-9 or 1-847-671-4300 • Fax: 1-800-447-8329 or 1-847-671-4380  
Made in the U.S.A. [www.sloanvalve.com](http://www.sloanvalve.com)