

► **Description**

Battery Powered, Sensor Operated G2[®] Model Retrofit Conversion Kit for Exposed Urinal Flushometers.

► **Flush Cycle**

Model RESS-U 1.0 gpf/3.8 Lpf AND 1.5 gpf/5.7 Lpf
The RESS-U is furnished with two Flush Regulators.
The product is shipped with the 1.0 gpf/3.8 Lpf Regulator installed.
Change Regulator to convert to a 1.5 gpf/5.7 Lpf flush.

Model RESS-U-0.5 0.5 gpf/1.9 Lpf

Note: The RESS-U-0.5 is shipped with only one regulator and is factory set at 0.5 gpf/1.9 Lpf.

► **Specifications**

Quiet, Exposed, OPTIMA *Plus*[®], Battery Powered, Sensor Operated Urinal Flushometer Retrofit Conversion Kit for Sloan **Royal**[®], **Regal Pro**[®] and **Regal**[®] Flushometers with the following features:

- PERMEX[™] Synthetic Rubber Diaphragm with Dual Filtered Fixed Bypass
- Flex Tube Diaphragm designed for improved life and reduced maintenance
- ADA Compliant OPTIMA *Plus*[®] Battery Powered Infrared Sensor for automatic "No Hands" operation
- Infrared Sensor with Multiple-focused, Lobular Sensing Fields for high and low target detection
- Isolated Latching Solenoid Operator, isolates magnetic components from water contact
- Engineered Metal Cover with replaceable Lens Window
- Courtesy Flush[™] Override Button
- Four (4) Size AA Batteries factory installed
- "Low Battery" Flashing LED
- Infrared Sensor Range Adjustment Screw
- Initial Set-up Range Indicator Light (first 10 minutes)
- Chrome Plated Metal Handle Cap
- Installation Tools provided
- Diaphragm to be molded from PERMEX[™] Rubber Compound for Chloramine resistance

► **Variations**

Z Locking Ring for Zurn[®] Flush Valve Bodies

► **Special Finishes**

- PB** Polished Brass (PVD Finish)
- GP** Gold Plate (PVD Finish)
- BN** Brushed Nickel (PVD Finish)
- SF** Satin Chrome

See Accessories Section and OPTIMA Accessories Section of the Sloan catalog for details on these and other OPTIMA *Plus*[®] Flushometer variations.



► **ADA Compliant**

► **Automatic**

Sloan G2 Optima *Plus*[®] Flushometers activate via multi-lobular sensor detection to provide the ultimate in sanitary protection and automatic operation. A battery powered infrared sensor sets the flushing mechanism after the user is detected and completes the flush when the user steps away.

► **Functional & Hygienic**

Touchless, sensor operation eliminates the need for user contact to help control the spread of infectious diseases. The G2 Optima *Plus* Flushometer is provided with an Override Button to allow a "courtesy flush" for individual user comfort.

► **Economical**

Sloan installed batteries speed installation and provide years of metered flushing to control the use of water and energy. Batteries can be changed without turning off the water. The patented Isolated Operator ensures reliability by isolating the solenoid components from the water.

► **Warranty**

5 year (limited)



RESS-U shown installed on an existing Sloan Flushometer.

RESS-U units do *NOT* include a Valve Body, Supply Stop or Vacuum Breaker.



This space for Architect/Engineer approval	
Job Name _____	Date _____
Model Specified _____	Quantity _____
Variations Specified _____	
Customer/Wholesaler _____	
Contractor _____	
Architect _____	

Model RESS-U



Description
Battery Powered, Sensor Operated G2® Model Retrofit Conversion Kit for Exposed Urinal Flushometers.

Flush Cycle
 Model RESS-U 1.0 gpf/3.8 Lpf AND 1.5 gpf/5.7 Lpf
 The RESS-U is furnished with two Flush Regulators.
 The product is shipped with the 1.0 gpf/3.8 Lpf Regulator installed.
 Change Regulator to convert to a 1.5 gpf/5.7 Lpf flush.

Model RESS-U-0.5 0.5 gpf/1.9 Lpf

Note: The RESS-U-0.5 is shipped with only one regulator and is factory set at 0.5 gpf/1.9 Lpf.

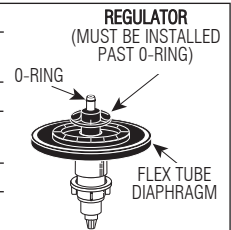
ELECTRICAL SPECIFICATIONS

- | | |
|---|---|
| <p>Control Circuit
Solid State
6 VDC Input
8 Second Arming Delay
24 Hour Sentinel Flush</p> <p>OPTIMA Sensor Type
Active Infrared</p> <p>OPTIMA Sensor Range
Nominal 15" - 30" (381 mm - 762 mm), Adjustable ± 8" (203 mm)</p> | <p>Battery Type
(4) AA Alkaline</p> <p>Battery Life
3 Years @ 4,000 Flushes/Month</p> <p>Indicator Lights
Range Adjustment/Low Battery</p> <p>Operating Pressure
15 - 100 psi (104 - 689 kPa)</p> <p>Sentinel Flush
Once Every 24 Hours After the Last Flush</p> |
|---|---|

G2 Optima Plus Flush Volume For RESS-U Retrofit Models

The Flush Volume of the Optima Plus is controlled by the Regulator in the Flex Tube Diaphragm Kit. Regulators are identified by color.

Fixture & Flush	Regulator Color
0.5 gpf (1.9 Lpf) Urinal	Green
1.0 gpf (3.8 Lpf) Urinal	Green
1.5 gpf (5.7 Lpf) Urinal	Black
3.5 gpf (13.2 Lpf) Urinal	White



Notes: A 0.5 gpf (1.9 Lpf) Urinal kit can be converted to a 1.0 gpf (3.8 Lpf) by cutting and removing the smooth A-164 Flow Ring from the Guide.

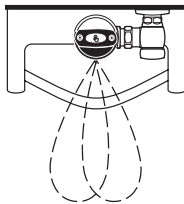
RESS-U G2 Optima Plus valves are supplied with multiple Regulators to address multiple flushing applications. The product is shipped with its lowest flush volume configuration. To convert the flush to a higher flushing volume, simply change the Regulator.

When installing a new Regulator on a Flex Tube Diaphragm Kit, be sure to push the Regulator past the O-ring when installing.

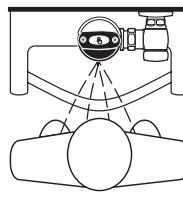
Note: Never use more water than needed. Low Consumption water closets and urinals will not function properly on excess water.

OPERATION

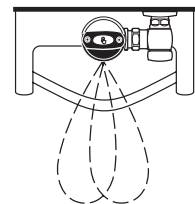
1. A continuous, invisible light beam is emitted from the OPTIMA Plus Sensor.



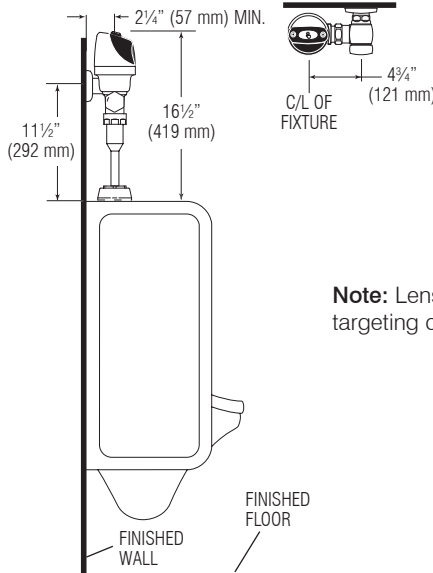
2. As the user enters the beam's effective range (15" to 30") the beam is reflected into the OPTIMA Plus Scanner Window and transformed into a low voltage electrical circuit. Once activated, the Output Circuit continues in a "hold" mode for as long as the user remains within the effective range of the Sensor.



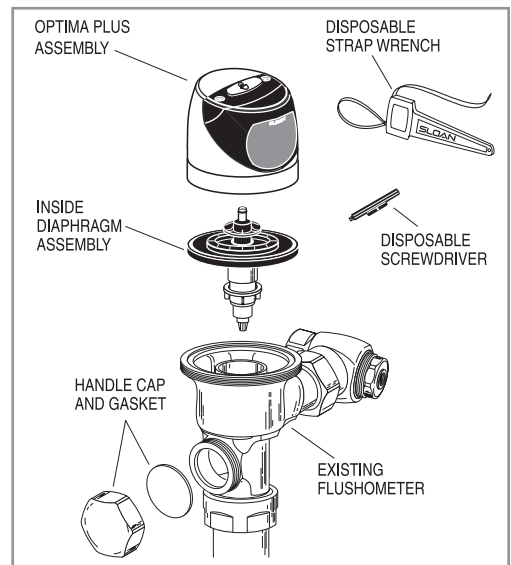
3. When the user steps away from the OPTIMA Plus Sensor, the Sensor initiates an electrical signal that operates the Solenoid. This initiates the flushing cycle to flush the fixture. The Circuit then automatically resets and is ready for the next user.



VALVE ROUGH-IN



Note: Lens Deflector no longer needed for targeting children or wheel chair users.



SLOAN VALVE COMPANY • 10500 SEYMOUR AVENUE • FRANKLIN PARK, IL 60131

Phone: 1-800-9-VALVE-9 or 1-847-671-4300 • Fax: 1-800-447-8329 or 1-847-671-4380 • www.sloanvalve.com