

EHS-1000 SERIES

► **Description**
EHS-1000 Series Stainless Steel Hand Washing Sink with Sloan OPTIMA[®] Sensor Operated Faucet.

- **Models**
- EHS-1080 Hand Washing Sink with **ETF-80** Faucet
 - EHS-1600 Hand Washing Sink with **ETF-600** Faucet
 - EHS-1660 Hand Washing Sink with **ETF-660** Faucet
 - EHS-1700 Hand Washing Sink with **ETF-700** Faucet
 - EHS-1750 Hand Washing Sink with **EBF-750** Faucet †
 - EHS-1770 Hand Washing Sink with **ETF-770** Faucet

- **Specifications**
Stainless Steel Hand Washing Sink with Sensor Operated, 24 VAC †, Chrome Plated Brass Hand Washing Faucet with the following features:
- Sink constructed from 14 gauge, Type 304 stainless steel with satin finish
 - Cabinet constructed from 18 gauge, Type 304 stainless steel with satin finish
 - Outer rim of sink raised to help prevent splashing and dripping on floors
 - Angled front corners to enhance ease of use and protect users from sharp corners
 - "Lift-out" style front access panel for easy maintenance access
 - 1½" stainless steel dome strainer with integral tailpiece and P-Trap
 - "Z-clip" wall hanger for mounting (fasteners by others)
 - Sloan OPTIMA Faucet for hands-free operation
 - Sink is shipped pre-plumbed for easy installation

- Sloan Optima[®] Faucets feature:
- Splash-proof control modules
 - Troubleshooting LED Indicator Lights
 - Chrome Plated Brass Spouts
 - Filtered Solenoid with serviceable Strainer Filter
 - 2.2 gpm (8.3 Lpm) Pressure Compensating Spray Head
 - 120 VAC/24 VAC Plug-in Transformer †

† The EBF-750 faucet is battery operated.

Other features vary with OPTIMA Faucet Models selected. See OPTIMA Faucets specification pages for additional details.

- **Variations**
- BDT** Below Deck Thermostatic Mixing Valve — MIX-135-A supplied (Formerly the "M" Variation)
 - ADM** Optimix Above Deck Mechanical Mixing Valve — MIX-110-AA supplied (Formerly the "S" Variation)

EHS-1600 is not available with the MIX-110-AA Mixing Valve.

See OPTIMA Accessories section of the Sloan catalog or website for information on Temperature Control and Mixing Valves.

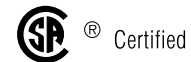
See OPTIMA Faucets section of the Sloan catalog or website for information on Sloan Sensor Operated Faucets.



EHS-1770 Shown

- **Automatic**
The Sloan OPTIMA[®] Hand Washing Sink with Electronic Hand Washing Faucet operates by means of an infrared sensor. Once the user enters the sensor's effective range, the Solenoid activates the water flow. Tempered water flows from the Faucet until the user steps away. The Faucet then automatically shuts off.
- **Hygienic**
The ultimate in sanitary protection — there are no handles to turn or buttons to push. Helps to control the spread of infectious diseases. Ideal for health care installations.
- **Economical**
Automatic operation provides water usage savings over other faucet devices. Reduces maintenance and operation costs.
- **Warranty**
3 year (limited)
- **Made in the U.S.A**

Sloan Optima Faucets are:



This space for Architect/Engineer approval	
Job Name _____	Date _____
Model Specified _____	Quantity _____
Variations Specified _____	
Customer/Wholesaler _____	
Contractor _____	
Architect _____	

The information contained in this document is subject to change without notice.

EHS-1000

► Description

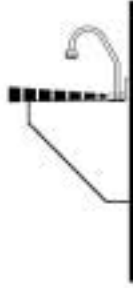
EHS-1000 Series Stainless Steel Hand Washing Sink with Sloan OPTIMA® Sensor Operated Faucet.

► Models

- EHS-1080 Hand Washing Sink with **ETF-80** Faucet
- EHS-1600 Hand Washing Sink with **ETF-600** Faucet
- EHS-1660 Hand Washing Sink with **ETF-660** Faucet
- EHS-1700 Hand Washing Sink with **ETF-700** Faucet
- EHS-1750 Hand Washing Sink with **EBF-750** Faucet †
- EHS-1770 Hand Washing Sink with **ETF-770** Faucet

OPERATION

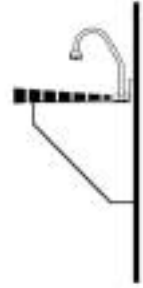
1. A continuous invisible beam of infrared light is emitted from the Optima sensor.



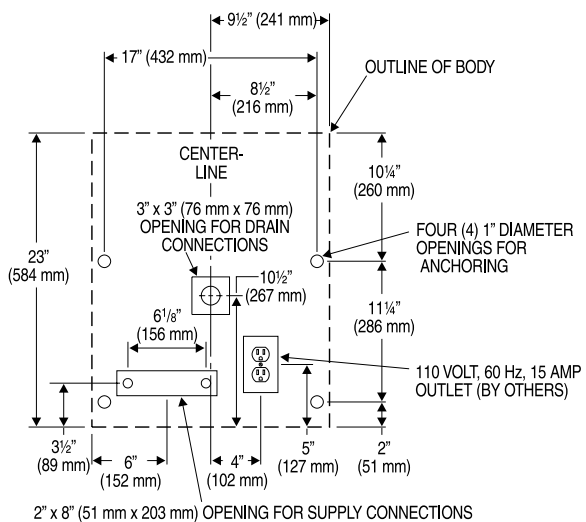
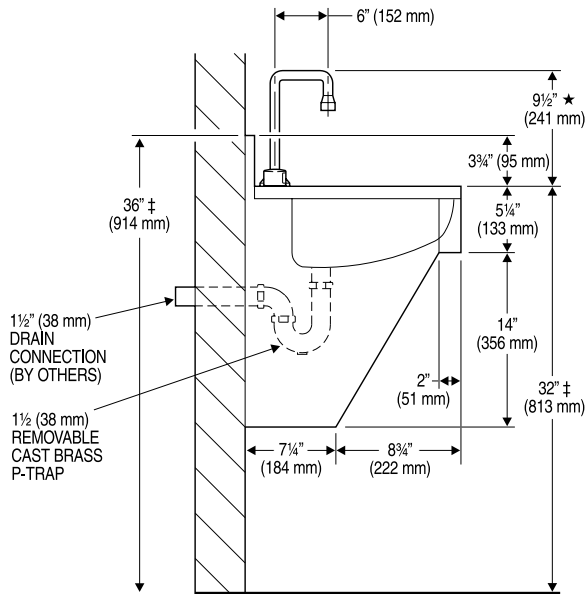
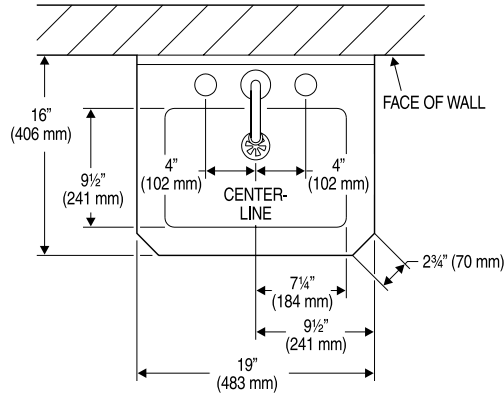
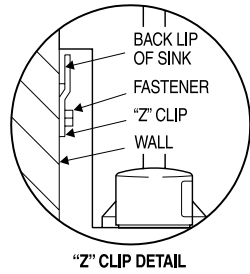
2. As the user enters the beam's effective range, the beam is reflected back into the sensor receiver and activates the solenoid valve. Tempered water flows from the faucet into the sink until the user is no longer detected.



3. When the user moves away from the sensor, light is no longer reflected to the sensor. An electrical signal then deactivates the solenoid valve, stopping the water flow. The circuit then automatically resets and is ready for the next user.



ROUGH-IN



★ EHS-1770 ONLY.

‡ MOUNTING HEIGHT CAN VARY TO MEET INSTALLATION REQUIREMENTS.

SLOAN VALVE COMPANY • 10500 SEYMOUR AVENUE • FRANKLIN PARK, IL 60131

Phone: 1-800-9-VALVE-9 or 1-847-671-4300 • Fax: 1-800-447-8329 or 1-847-671-4380 • <http://www.sloanvalve.com>