

EHD-501
 EHD-502
 EHD-503
 EHD-504

► **Description**

XLerator[®] Model Ultra-fast, Sensor Activated Hand Dryer for surface mounting.

► **Specifications**

- Series commutated, through-flow discharge, vacuum type motor/blower combination
- Infrared Optical Sensor with thirty-five (35) second lockout feature
- Air velocity of 16,000 LFM (linear feet per minute) at an outlet temperature of 135°F/57°C at a 72°F/22°C ambient room temperature
- Decibel Rating of 78-80 dB
- Heating element constructed of Nichrome wire and protected by an automatic resetting thermostat
- One piece heavy-duty rib reinforced die cast zinc alloy housing
- Bright chrome plate or chip-proof electrostatically-applied epoxy finish
- Tamper-proof cover fasteners are included

► **Electrical Specifications**

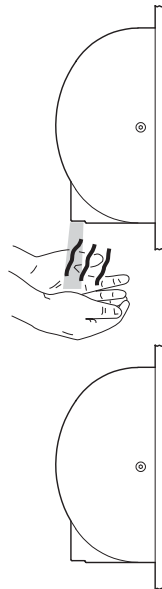
- Model EHD-501: 110/120 VAC, 12.5 Amp, 60 Hz, 1500 watts
- Model EHD-502: 220/240 VAC, 6.5 Amp, 50/60 Hz, 1560 watts
- Model EHD-503: 208 VAC, 7 Amp, 60 Hz, 1456 watts
- Model EHD-504: 277 VAC, 5.5 Amp, 60 Hz, 1524 watts

► **Colors**

- W White
- CP Chrome Plate

► **Operation**

- When the Infrared Sensor detects hands beneath the exhaust port, it activates the XLerator[®] Hand Dryer. Water droplets are first blown from hands with a strong controlled air blast. Residual moisture is then evaporated with a warm stream of air up to 135° F/57° C.



- After hands are withdrawn from the Sensor's detection zone, or after a maximum of thirty-five (35) seconds of continuous operation, the Hand Dryer automatically stops. It is then ready for the next user.



► **ADA Compliant**

► **Ultra-fast Drying**

XLerator[®] Hand Dryers completely dry hands in 10-15 seconds. Water droplets are first blown from hands with a strong controlled air blast. Residual moisture is then evaporated with a warm stream of air up to 135° F/57° C.

► **Sensor Activated**

XLerator[®] Hand Dryers operate by means of an Infrared Optical Sensor. Once the user enters the sensor's effective range, the Hand Dryer will activate until the hands are withdrawn from the Sensor's detection zone or after thirty-five (35) seconds of continuous operation.

► **Hygienic**

Offers the ultimate in sanitary protection — there are no handles to turn or buttons to push. Helps control the spread of infectious diseases.

► **Economical**

XLerator[®] Hand Dryers dry hands in one-third the time required by conventional hand dryers and operate on 15 amp service, providing an 80% savings in energy costs.

► **Warranty**

3 year (limited)

► **Made in the U.S.A.**



This space for Architect/Engineer approval

Job Name _____ Date _____

Model Specified _____ Quantity _____

Variations Specified _____

Customer/Wholesaler _____

Contractor _____

Architect _____

The information contained in this document is subject to change without notice.

EHD-501 EHD-502 EHD-503 EHD-504

Electrical Requirements

Model	Voltage	Amps	Hz	Watts
EHD-501	110/120 VAC	12.5	60	1500
EHD-502	220/240 VAC	6.5	50/60	1560
EHD-503	208 VAC	7.0	60	1456
EHD-504	277 VAC	5.5	60	1524

Install electrical line in the location shown in the Wiring Diagram below.

Electrical Connection Specifications

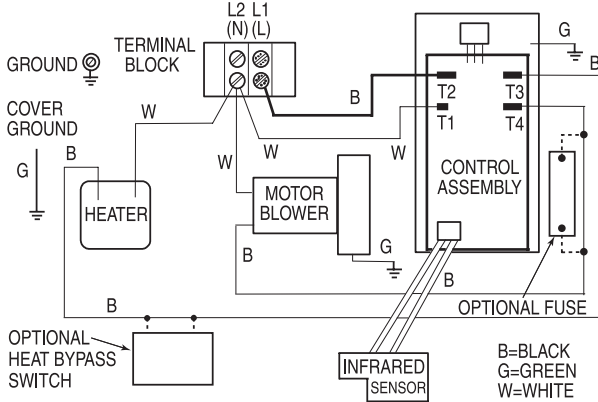
Connect 110/120 VAC dryer to not more than a 20 Amp branch circuit using #12 gauge or larger wire, and a 208/230/277 VAC dryer to not more than a 15 Amp branch circuit using #14 gauge or larger wire. DO NOT attach any other electrical devices to this branch circuit.

Important:

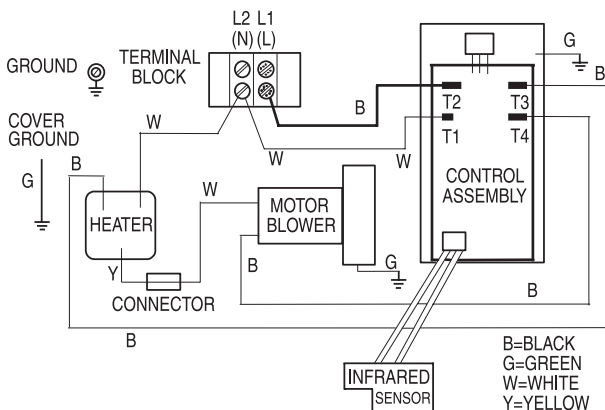
ALL ELECTRICAL WIRING SHOULD BE INSTALLED IN ACCORDANCE WITH NATIONAL/LOCAL CODES AND REGULATIONS.

WIRING DIAGRAM

Model EHD-501 — 110/120 VAC
Model EHD-502 — 220/240 VAC
Model EHD-503 — 208 VAC



Model EHD-504 — 277 VAC



Recommended Mounting Heights (from floor to bottom of dryer)

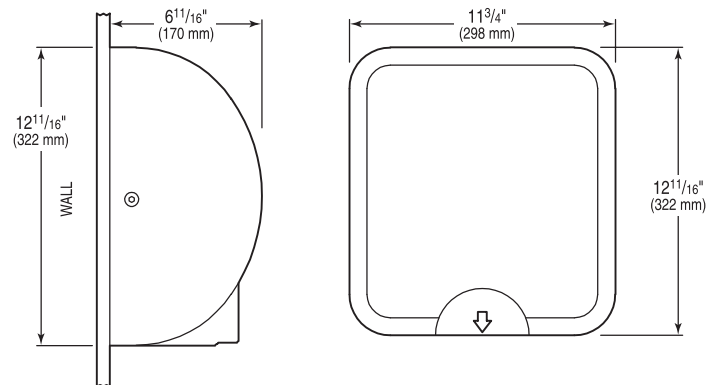
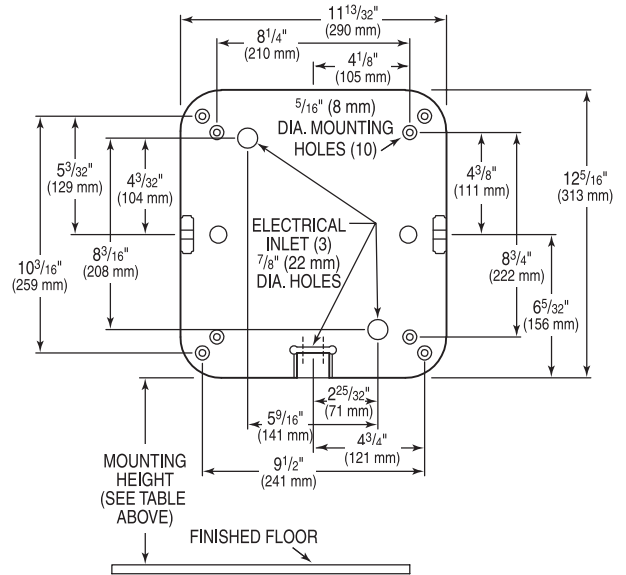
User	Height
Men	45 Inches (1143 mm)
Women	43 Inches (1092 mm)
Teenagers	41 Inches (1041 mm)
Children	35 Inches (889 mm)
Handicapped	37 Inches (940 mm)

Prepare wall to receive mounting fasteners as shown in the rough-in diagram. Refer to Installation Instructions for recommended fasteners.

Installation Precautions

- Mounting surface should be smooth and flat.
- Mount dryer at least 24 inches (610 mm) away from basins and at least 20 inches (508 mm) away from corners.
- Mount multiple hand dryers a minimum separation distance of 20 inches (508 mm) (measured center to center).
- Avoid installing hand dryers in narrow hallways and behind swinging doors.

ROUGH-IN



SLOAN VALVE COMPANY • 10500 SEYMOUR AVENUE • FRANKLIN PARK, IL 60131

Phone: 1-800-9-VALVE-9 or 1-847-671-4300 • Fax: 1-800-447-8329 or 1-847-671-4380 • www.sloanvalve.com