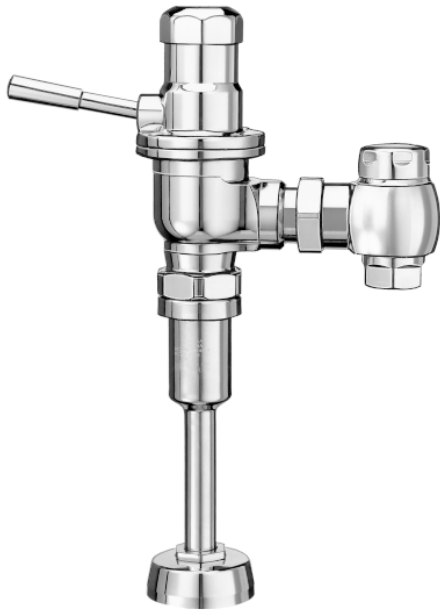


Dolphin® Model Flushometer

186-1



► Description

Exposed Urinal Flushometer, for 3/4" Top Spud Urinals. Specifically engineered for salt water and severe water conditions.

► Flush Cycle

Model 186-1 (factory set at 1.0 gpf/5.7 Lpf)
Valve Adjustment Range: 0.25 gpf/0.9 Lpf to 12.0 gpf/45.4 Lpf
Factory settings made at 40 psi (275 kPa) - flush volume will vary with pressure and flow rate

► Specifications

Quiet, Exposed, Chrome Plated Urinal Flushometer with the following features:

- Metal Lever Handle
- 3/4" I.P.S. Screwdriver Bak-Chek™ Angle Stop
- Vandal Resistant Stop Cap
- Adjustable Tailpiece
- Vacuum Breaker Flush Connection
- Spud Coupling and Flange for 3/4" Top Spud
- Flushometer does not require water pressure to positively shut off

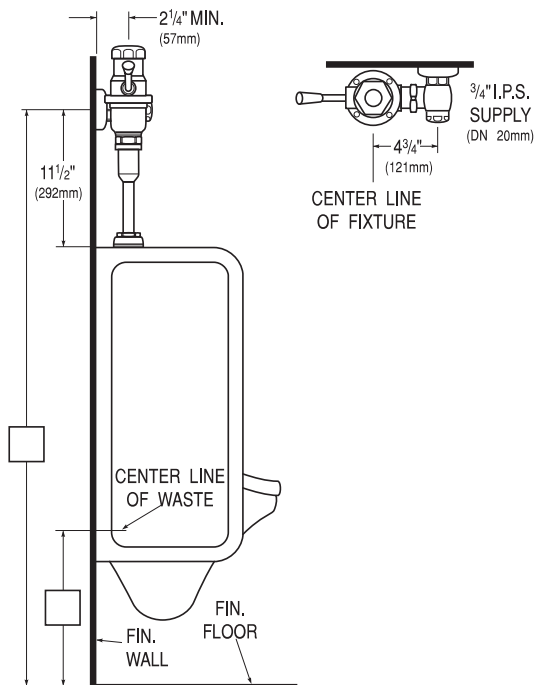
Valve Body, Cover, Tailpiece and Control Stop shall be in conformance with ASTM Alloy Classification for Red Brass. Valve shall be in compliance to the applicable sections of ASSE 1037, ANSI/ASME 112.19.6, and Military Specification V-29193.

► Variations

- GJ** Ground Joint Stop
- K** Wheel Handle Stop
- YB** Sweat Solder Adapter Kit
- YBYC** Sweat Solder Adapter & Cast Set Screw Wall Flange
- XYV** Less Vacuum Breaker

Ground Joint Stop (GJ) recommended for salt water applications. Vacuum Breaker usually not required when used with non-potable water (specify XYV Variation).

See Accessories Section of the Sloan catalog for details on these and other Flushometer variations.



This space for Architect/Engineer approval

The information contained in this document is subject to change without notice.

Made in the U.S.A.

SLOAN®

SLOAN VALVE COMPANY • 10500 SEYMOUR AVE. • FRANKLIN PARK, IL 60131
PHONE: 1-800 982-5839 • FAX: 1-800 447-8329 • <http://www.sloanvalve.com>