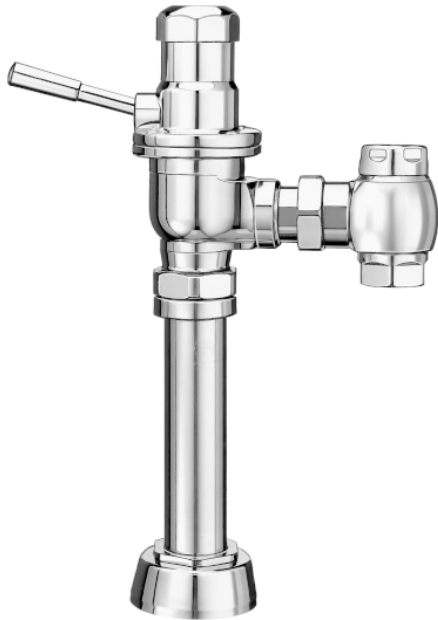


# Dolphin® Model 110 Flushometer

# 110 111



## ► Description

Exposed Water Closet Flushometer, for floor mounted or wall hung 1½" top spud bowls. Specifically engineered for salt water and severe water conditions.

## ► Flush Cycle

Model 110 (factory set at 3.5 gpf/13.2 Lpf)

Model 111 (factory set at 1.6 gpf/6.0 Lpf)

Valve Adjustment Range: 0.5 gpf/1.9 Lpf to 16.0 gpf/60.6 Lpf

Factory settings made at 40 psi (275 kPa) - flush volume will vary with pressure and flow rate

## ► Specifications

Quiet, Exposed, Chrome Plated Closet Flushometer with the following features:

- Metal Lever Handle
- 1" I.P.S. Screwdriver Bak-Chek™ Angle Stop
- Vandal Resistant Stop Cap
- Adjustable Tailpiece
- Vacuum Breaker Flush Connection
- Spud Coupling and Flange for 1½" Top Spud
- Flushometer does not require water pressure to positively shut off

Valve Body, Cover, Tailpiece and Control Stop shall be in conformance with ASTM Alloy Classification for Red Brass. Valve shall be in compliance to the applicable sections of ASSE 1037, ANSI/ASME 112.19.6, and Military Specification V-29193.

## ► Variations

**GJ** Ground Joint Stop

**K** Wheel Handle Stop

**U** 1¼" Flush Connection and Spud Coupling

**YB** Sweat Solder Adapter Kit

**YBYC** Sweat Solder Adapter & Cast Set Screw Wall Flange

**YG** Extended Bumper on Angle Stop (for seat with cover)

**YO** Bumper on Angle Stop (for open front seat without cover)

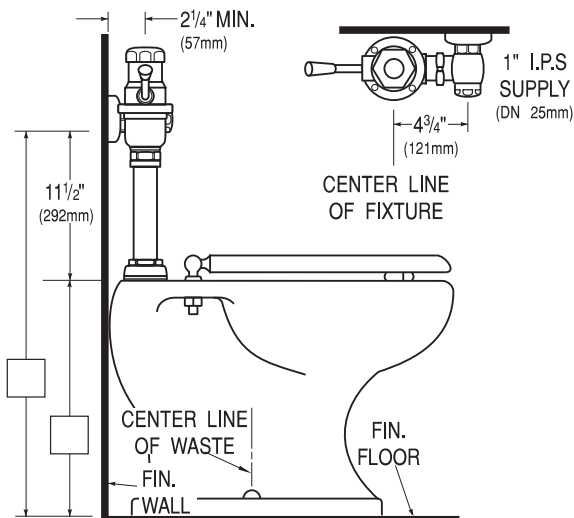
**XYV** Less Vacuum Breaker

**NOTE:** Bak-Chek Angle Stop available with 1" Whitworth Thread (please specify).

Ground Joint Stop (GJ) recommended for salt water applications.

Vacuum Breaker usually not required when used with non-potable water (specify XYV Variation).

See Accessories Section of the Sloan catalog for details on these and other Flushometer variations.



This space for Architect/Engineer approval

The information contained in this document is subject to change without notice.

Made in the U.S.A.

# SLOAN®

SLOAN VALVE COMPANY • 10500 SEYMOUR AVE. • FRANKLIN PARK, IL 60131  
PHONE: 1-800 982-5839 • FAX: 1-800 447-8329 • <http://www.sloanvalve.com>