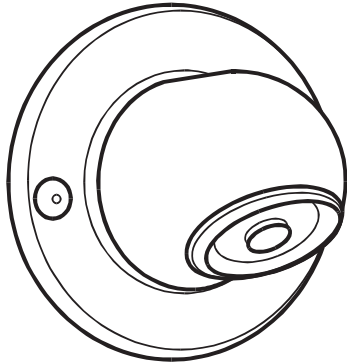




INSTALLATION INSTRUCTIONS ACT-O-MATIC® INSTITUTIONAL SHOWER HEADS



AC-450

Self-Cleaning, Wall Mounted,
Shower Head with Adjustable
Spray Direction and Integral
2.5 gpm (9.4 Lpm) Flow Control

ANSI/ASME Standard A112.18.1M

Made in the U.S.A.

The following instructions will serve as a guide when installing the Sloan Act-O-Matic Shower Head. As always, good safety practices and care are recommended when installing your new Sloan Act-O-Matic Shower Head. If further assistance is required, contact your nearest Sloan Representative office.

PRIOR TO INSTALLATION

Prior to installing the Sloan Act-O-Matic Shower Head, install the items listed below:

- Shower enclosure
- Drain line
- Water supply line (1/2" I.P.S. (13 mm DN) male thread required for connection to shower head)

Important:

- ALL PLUMBING IS TO BE INSTALLED IN ACCORDANCE WITH APPLICABLE CODES AND REGULATIONS.
- FLUSH ALL WATER LINES UNTIL WATER IS CLEAR BEFORE INSTALLING SHOWER HEAD.
- WATER SUPPLY LINES MUST BE SIZED TO PROVIDE AN ADEQUATE FLOW OF WATER FOR EACH SHOWER HEAD. MINIMUM WATER PRESSURE OF 15 PSI (103 kPa) REQUIRED.

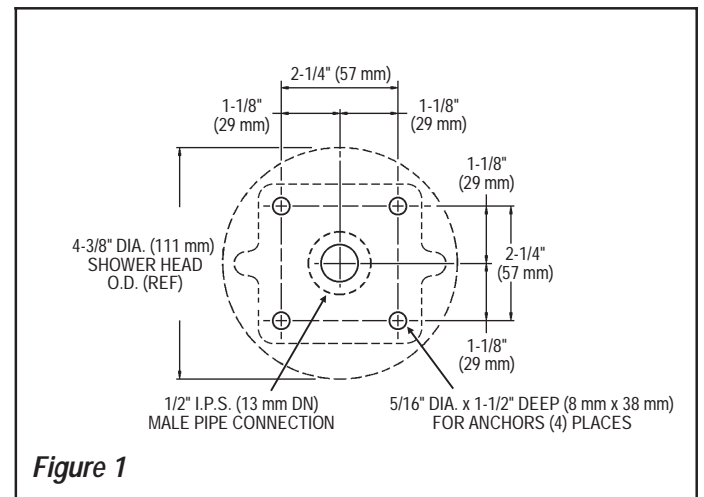
TOOLS REQUIRED FOR INSTALLATION

- 1-3/8" wrench
- Slotted screwdriver for adjusting direction of stream, if required
- 5/16" drill
- Hammer
- Phillips head screwdriver, #3
- 5/32" hex wrench

INSTALLATION

Step 1 — Drill Mounting Holes (Figure 1)

Locate shower head mounting holes per Figure 1. Drill four (4) mounting holes 5/16" x 1-1/2" (8 mm x 38 mm). Drive anchors flush with wall surface.



Step 2 — Install Mounting Plate

Secure mounting plate with wings horizontal to wall using four (4) Phillips head screws provided.

Step 3 — Install Pipe Fitting (Figure 2)

Coat threaded end of water supply line with pipe dope or wrap with sealing tape. Thread pipe fitting onto water supply line using a 1-3/8" wrench.

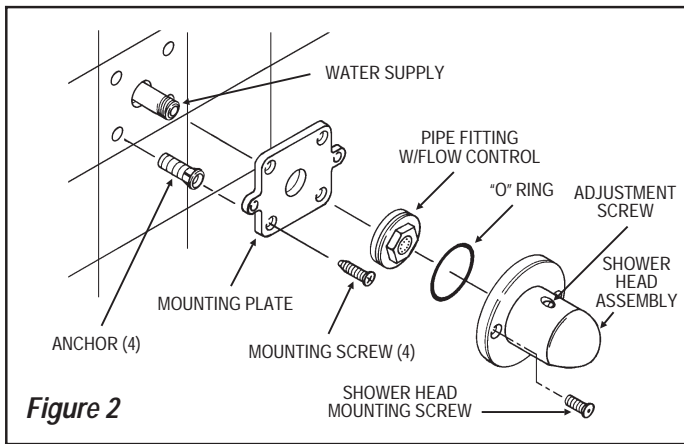


Figure 2

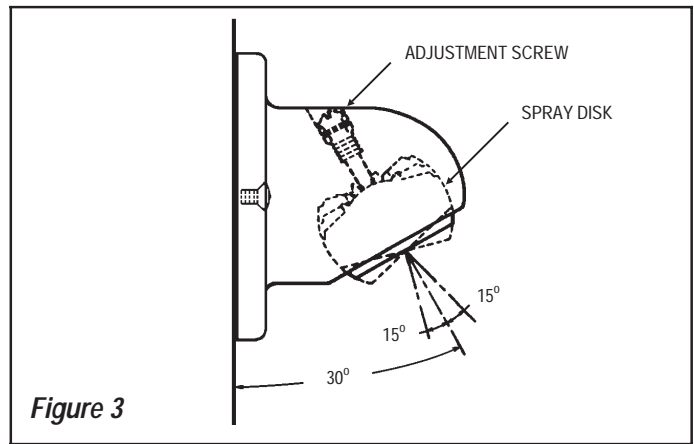


Figure 3

Step 4 — Mount Shower Head Assembly (Figure 2)

Wet pipe fitting "O" Ring with water to lubricate and carefully slide shower head assembly over pipe fitting. Be careful not to damage pipe fitting "O" Ring. Secure shower head assembly to mounting plate using two (2) Tamper-Proof, shower head assembly screws provided.

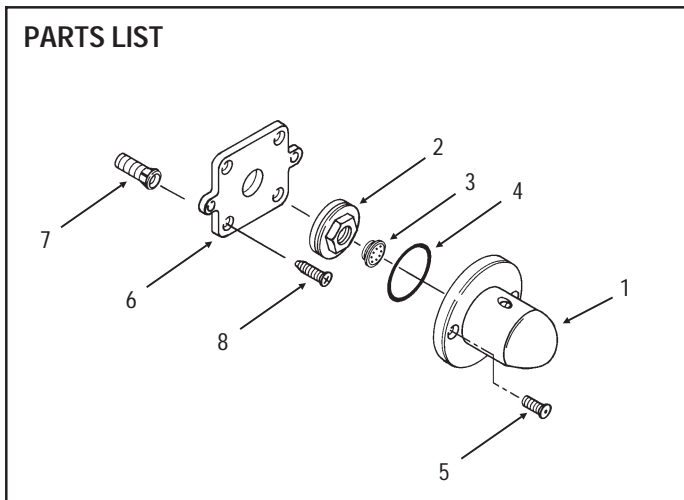
Step 5 — Adjust Direction of Stream (Figure 3)

To change direction of stream from the preset 30 degree angle, loosen adjustment screw located at top of shower head, move ball to the desired position and secure adjustment screw.

CARE AND CLEANING OF CHROME AND SPECIAL FINISHES

DO NOT use abrasive or chemical cleaners to clean shower head as they may dull the luster and attack the chrome or special decorative finishes. Use ONLY soap and water, then wipe dry with clean cloth or towel.

While cleaning the bathroom tile, the shower head should be protected from any splattering of cleaner. Acids and cleaning fluids will discolor or remove chrome plating.



REPAIR KIT FOR THE AC-450 SHOWER HEAD

SH-1009-A (Code # 4328471)

- Includes:
- Spray Disk Assembly
 - Spray Disk "O" Ring
 - Adjustment Screw "O" Ring
 - Pipe Fitting "O" Ring
 - 2.5 gpm (9.4 Lpm) Flow Control

For further information regarding maintaining the AC-450 shower head, consult the Sloan Act-O-Matic shower head repair and maintenance guide.

Item No.	Part No.	Description
1	AC-450	Shower Head Assembly
2 †	SH-511	Pipe Fitting
3 †	SH-1005-A	Flow Control, 2.5 gpm (9.4 Lpm)
4 †	SH-512	"O" Ring
5	SH-514	Shower Head Mounting Screw (2)
6	SH-510	Mounting Plate
7	K-57	Anchor (4)
8	SH-37	Mounting Screw (4)

† Items 2, 3 and 4 are supplied assembled.

NOTICE

The information contained in this document is subject to change without notice.