

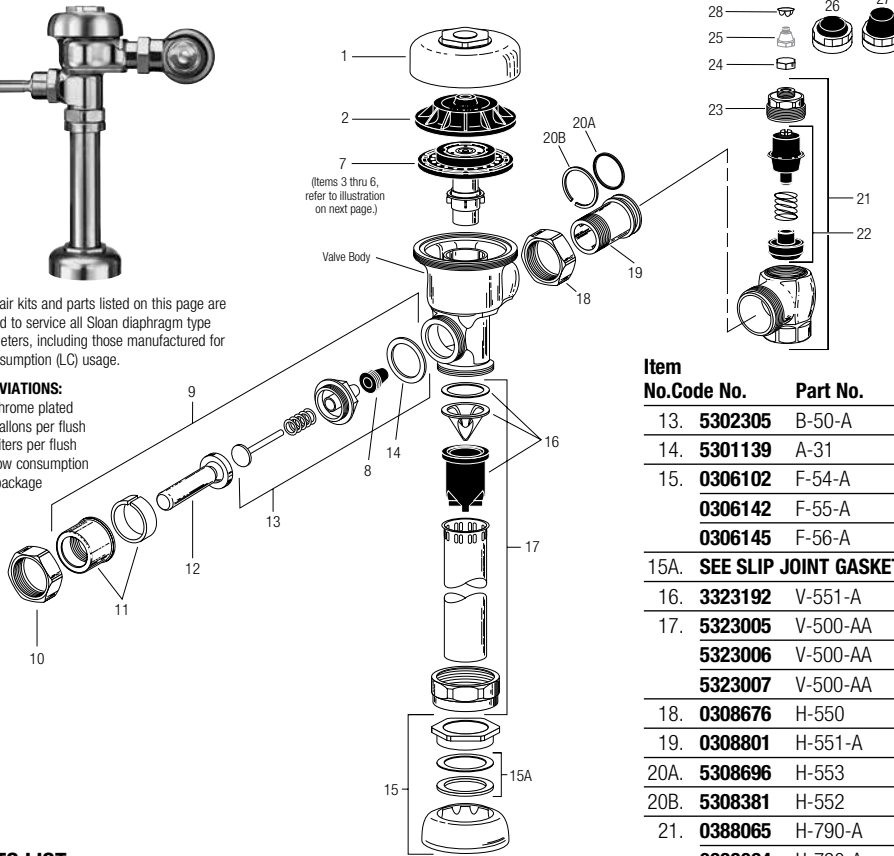
# Regal® Flushometer

NOTE: Also for use with Regal® XL  
(Since mid-2010)



The repair kits and parts listed on this page are designed to service all Sloan diaphragm type flushometers, including those manufactured for low consumption (LC) usage.

**ABBREVIATIONS:**  
CP = Chrome plated  
gpf = gallons per flush  
Lpf = Liters per flush  
LC = Low consumption  
pkg = package



## TAILPIECES, CONTROL STOPS AND FLUSH CONNECTIONS

For additional information on tailpieces, control stops and flush connections see Showerheads, Parts and Accessories Tab.

### PARTS LIST

Item No.	Code No.	Part No.	Description
1.	<b>0317004</b>	R-10	CP Cover
	—	R-10-HE	CP High Efficiency Cover
2.	<b>0301168</b>	A-71	Inside Cover
<b>SEE ITEMS 3A THROUGH 6E IN CHART ON NEXT PAGE</b>			
3A.	<b>5301058</b>	A-19-AC	Relief Valve, White (Closet) – 12 per package
3B.	<b>5301059</b>	A-19-AU	Relief Valve, Black (Urinal) – 12 per package
3C.	<b>5301211</b>	A-19-ALC	Relief Valve, Green (Closet/Urinal-LC) – 12 per package
3D.	<b>0301143</b>	A-19-AL	Relief Valve, Blue (9 Liter Closet)
4.	<b>5301111</b>	A-15-A	Disc – for all Inside Parts Kits – 12 per package
5.	<b>5301188</b>	A-156-A	Diaphragm – for all Inside Parts Kits – 12 per package
6A.	<b>5301236</b>	A-163-A	Guide Assembly 4.5 gpf/17.0 Lpf Closet & 1.5 gpf/5.7 Lpf Urinal – 12 per package
6B.	<b>5301032</b>	A-152-A	Guide Assembly 3.5 gpf/13.2 Lpf Closet – 12 per package
6C.	<b>5301031</b>	A-151-A	Guide Assembly 1.6 gpf/6.0 Lpf LC Closet – 12 per package
6D.	<b>5301155</b>	A-155-A	Guide Assembly 1.0 gpf/3.8 Lpf LC Urinal – 12 per package
6E.	<b>5301157</b>	A-157-A	Guide Assembly 0.5 gpf/1.9 Lpf Urinal – 12 per package
7.	<b>SEE INSIDE PARTS KITS CHART ON NEXT PAGE</b>		
8.	<b>5302297</b>	B-39	Seal – 12 per package
9.	<b>5302279</b>	B-32-A	CP Handle Assembly – 6 per package
	<b>0302390</b>	B-73-A	CP Handicap Handle Assembly (ADA Compliant)
10.	<b>0301082</b>	A-6	CP Handle Coupling
11.	<b>0302109</b>	B-7-A	CP Socket Assembly
12.	<b>5302274</b>	B-32	CP Handle Grip – 12 per package
	<b>0302389</b>	B-74-A	CP Handicap Handle Grip (ADA Compliant)

Item No.	Code No.	Part No.	Description
13.	<b>5302305</b>	B-50-A	Handle Repair Kit – 6 per package
14.	<b>5301139</b>	A-31	Handle Gasket – 48 per package
15.	<b>0306102</b>	F-54-A	3/4" CP Spud Coupling Assembly
	<b>0306142</b>	F-55-A	1-1/4" CP Spud Coupling Assembly
	<b>0306145</b>	F-56-A	1-1/2" CP Spud Coupling Assembly
15A.	<b>SEE SLIP JOINT GASKETS AND RINGS TABLE BELOW</b>		
16.	<b>3323192</b>	V-551-A	Vacuum Breaker Repair Kit
17.	<b>5323005</b>	V-500-AA	3/4" x 9" CP Vacuum Breaker – 6 per package
	<b>5323006</b>	V-500-AA	1-1/4" x 9" CP Vacuum Breaker – 6 per package
	<b>5323007</b>	V-500-AA	1-1/2" x 9" CP Vacuum Breaker – 6 per package
18.	<b>0308676</b>	H-550	CP Stop Coupling†
19.	<b>0308801</b>	H-551-A	CP Adjustable Tailpiece 2-1/16" long†
20A.	<b>5308696</b>	H-553	O-ring – 24 per package
20B.	<b>5308381</b>	H-552	Locking ring – 12 per package
21.	<b>0388065</b>	H-790-A	1" Screwdriver Bak-Chek® Stop CP – complete
	<b>0388064</b>	H-790-A	3/4" Screwdriver Bak-Chek® Stop CP – complete
	<b>0388029</b>	H-740-A	1" Screwdriver Bak-Chek® Stop CP – <b>OBsolete</b>
	<b>0388031</b>	H-740-A	3/4" Screwdriver Bak-Chek® Stop CP – <b>OBsolete</b>
22.	<b>3308853</b>	H-541-ASD	1" Control Stop Repair Kit *
	<b>3308856</b>	H-543-ASD	3/4" Control Stop Repair Kit **
23.	<b>0308612</b>	H-622	CP Bonnet (Current Regal)
	<b>0308991</b>	H-639	CP Bonnet – Pre 2010 Regal Stops*
	<b>0308601</b>	H-538	CP Bonnet ** – <b>OBsolete</b>
24.	<b>5388001</b>	H-1012-A	CP Cap – 6 per package VP
25.	<b>5310034</b>	J-2/J-7	Bumper Assembly – 6 per package – <b>OBsolete</b>
26.	<b>3308866</b>	H-574	Stop Cap, chrome plated with Seat Bumper (-YO)
27.	<b>3308867</b>	H-576	Stop Cap, chrome plated with Extended Seat Bumper (-YG)
28.	<b>5388002</b>	H-528	Hole Plug
29.	<b>3388015</b>	H-1015	Flow Control Kit (HEU Only) (not Shown)

† See pages 100-101 for additional lengths  
\*For use with 1" and 3/4" H-740-A CP (less cap) and 1" – H-540-A CP (with H-37 cap) Bak-Chek® screwdriver control stops  
\*\*For use with 3/4" H-740-A CP Bak-Chek® screwdriver control stops

### ITEM 15A. SLIP JOINT GASKETS AND RINGS

Size	Code No.	Part No.	Description
1-1/2"	<b>5306058</b>	F-3	Red Friction Ring
	<b>5322001</b>	VB-F-5	Black Slip Joint Gasket
	<b>0319086/5319086</b>	S-30	Flexible Seat
1-1/2" x 1-1/4"	<b>0319079</b>	S-21	Rigid Seat (rubber over brass)
	<b>0396062</b>	F-105	Slip Joint Gasket – Rigid
1-1/4"	<b>5306057</b>	F-3	Red Friction Ring
	<b>5322176</b>	VB-F-5	Black Slip Joint Gasket
	<b>0307052/5307052</b>	G-21	Rigid Seat (rubber over brass)
1"	<b>5306056</b>	F-3	Red Friction Ring
	<b>5306115</b>	F-5	Black Slip Joint Gasket
3/4"	<b>5306055</b>	F-3	Red Friction Ring
	<b>5306113</b>	F-5	Black Slip Joint Gasket