

EBV-200-A

- ▶ **Description**
Battery Powered, Sensor Activated Retrofit Unit for Exposed Closet and Urinal Flushometers.
- ▶ **Model**
□ EBV-200-A Side Mount Operator for Water Closets (Toilets) and Urinals
- ▶ **Specifications**
Battery Powered, Sensor Activated, Exposed, OPTIMA[®] SMOOTH™ Unit for Closet and Urinal Flushometer Conversions with the following features:
 - ADA Compliant OPTIMA[®] SMOOTH™ Battery Powered Infrared Sensor for automatic "Hands-free" operation
 - Sensor with Automatic Range Adjustment
 - Chrome Plated Metal Sensor Housing
 - Mechanical Manual Override Flush Handle
 - Four (4) Size C Batteries included
 - "Low Battery" Flashing LED
 - "User in View" Flashing LED
 - Installation requires use of a standard screwdriver
- ▶ **Features**
 - 25 to 80 psi Operating Range
 - Infrared Sensing with Automatic Adjustment
 - Mechanical Manual Override
 - Four (4) replaceable Size C Batteries
- ▶ **ADA Compliant**
- ▶ **Easy Installation**
Sloan SMOOTH™ works out of the box and installs in minutes. Simply slide the unit over the Flushometer handle and tighten the clamp.
- ▶ **Automatic**
Sloan SMOOTH™ equipped Flushometers provide the ultimate in sanitary protection and automatic operation. There is no need for AC hookups or wall alterations. The Flushometer operates by means of a battery powered infrared sensor. Once the user enters the sensor's effective range and then steps away, the SMOOTH™ Unit initiates the flushing cycle to flush the fixture. State-of-the-art Technology enables activation of a manual override without "double flushing" occurring as the user departs (locks out sensor for approximately 10 seconds).



Side-Mount-Operator-Over-The-Handle units do *NOT* include a Valve Body, Supply Stop or Vacuum Breaker.

- ▶ **Hygienic**
The Sloan SMOOTH™ Flushometer retrofit kit is the next advancement in hygiene. It uses sensor technology to transform manual installations into electronic, hands-free operation. User makes no physical contact with the Flushometer surface except to initiate the Override Handle when required. Helps control the spread of infectious diseases.
- ▶ **Economical**
Automatic operation provides water usage savings over other flushing devices. Reduces maintenance and operation costs. Installation and battery replacement does not require turning off water to the valve.
- ▶ **Warranty**
3 year (limited)



| | |
|--|----------------|
| This space for Architect/Engineer approval | |
| Job Name _____ | Date _____ |
| Model Specified _____ | Quantity _____ |
| Variations Specified _____ | |
| Customer/Wholesaler _____ | |
| Contractor _____ | |
| Architect _____ | |

EBV-200-A

Side-Mount-Operator-Over-The-Handle Flushometer Retrofit Kit

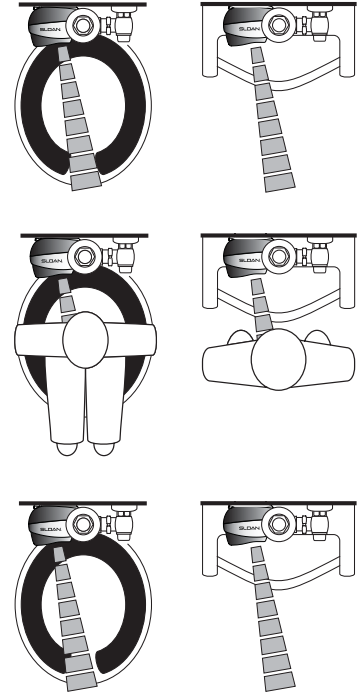
- ▶ **Description**
Battery Powered, Sensor Activated Retrofit Unit for Exposed Closet and Urinal Flushometers.
- ▶ **Model**
□ EBV-200-A Side Mount Operator for Water Closets (Toilets) and Urinals

ELECTRICAL SPECIFICATIONS

- ▶ **Control Circuit**
6 VDC Input
- ▶ **OPTIMA Sensor Type**
Active Infrared with Automatic Adjustment
- ▶ **OPTIMA Sensor Range**
Normal Range:
26" - 32" (660 mm-813 mm)
Reduced Range:
20" - 26" (508 mm-660 mm)
- ▶ **Battery Type**
(4) Size C Alkaline
- ▶ **Battery Life**
2 Years @ 4,000
Flushes/Month
- ▶ **Indicator Lights**
User in View/Low Battery
- ▶ **Operating Pressure**
25-80 psi (172-552 kPa)

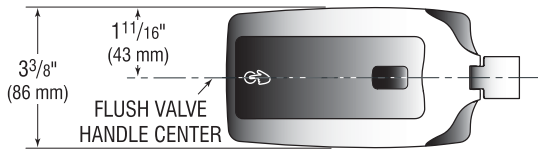
OPERATION

1. A continuous, invisible light beam is emitted from the SMOOTH unit's Infrared Sensor.
2. When the user enters the sensor's effective range, the Red LED light in the sensor window flashes for eight seconds. After eight seconds of sensing the user, the light will stop flashing and the unit waits for the user to step away before initiating a flush cycle.
3. When the user steps away, the unit initiates a flush cycle. The unit then automatically resets and is ready for the next user.

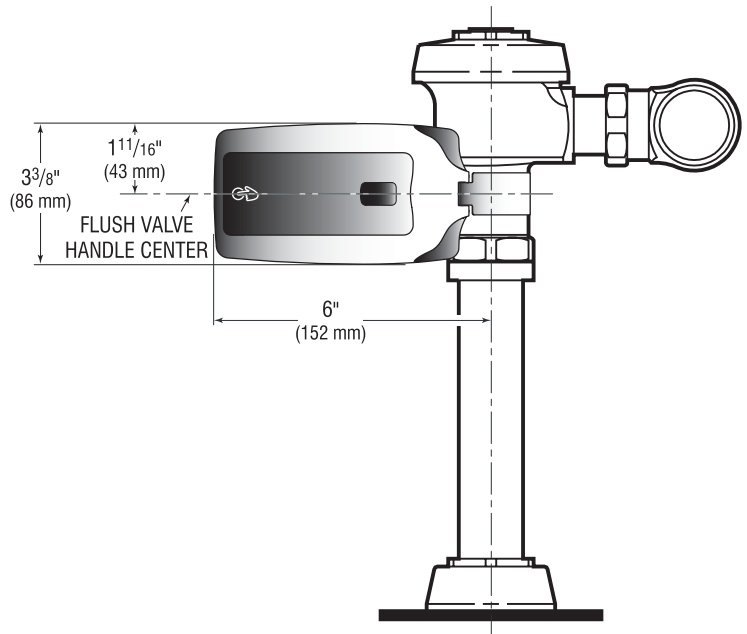
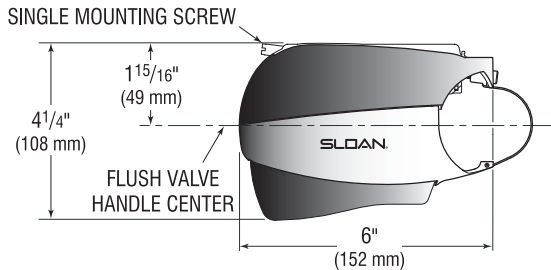


DIMENSIONS

FRONT VIEW



TOP VIEW



SLOAN VALVE COMPANY • 10500 SEYMOUR AVENUE • FRANKLIN PARK, IL 60131

Phone: 1-800-9-VALVE-9 or 1-847-671-4300 • Fax: 1-800-447-8329 or 1-847-671-4380 • <http://www.sloanvalve.com>