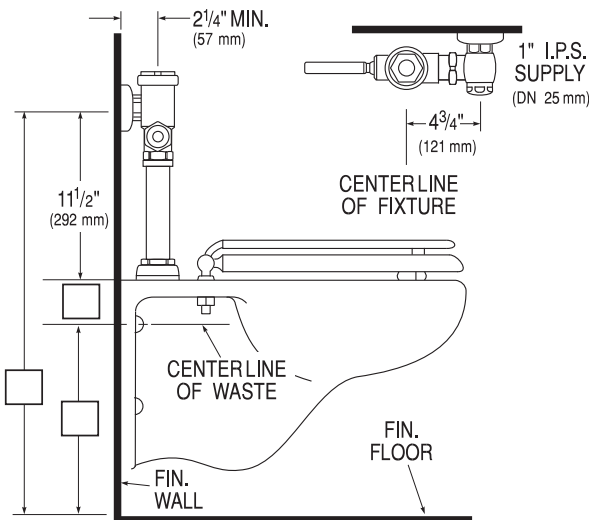




Listed by I.A.P.M.O.



Gem•2® Model 111-1.28 Flushometer

- ▶ **Description**
Exposed, Water Closet Flushometer for floor mounted or wall hung top spud bowls.
- ▶ **Flush Cycle**
 Model 111-1.28 High Efficiency (1.28 gpf/4.8 Lpf)
- ▶ **Specifications**
Quiet, Exposed, Piston Type, Chrome Plated Closet Flushometer with the following features:
 - Fixed Volume Piston with Filtered O-ring Bypass
 - ADA Compliant Metal Oscillating Non-Hold-Open Handle
 - 1" I.P.S. Screwdriver Bak-Chek® Angle Stop
 - Locking Vandal Resistant Stop Cap
 - Adjustable Tailpiece
 - Vacuum Breaker Flush Connection
 - Spud Coupling, Wall and Spud Flanges for 1 1/2" Top Spud
 - High Copper, Low Zinc Brass Castings for Dezincification Resistance
 - Non-Hold-Open Handle and No External Volume Adjustment to Ensure Water Conservation
 - Handle Packing, Stop Seat and Vacuum Breaker Molded from PERMEX™ Rubber Compound for Chloramine Resistance

Valve Body, Cover, Tailpiece and Control Stop shall be in conformance with ASTM Alloy Classification for Semi-Red Brass. Valve shall be in compliance to the applicable sections of ASSE 1037 and ANSI/ASME A112.19.2.

- ▶ **Variations**

<input type="checkbox"/>	U	1 1/4" Flush Connection and Spud Coupling
<input type="checkbox"/>	TP	Trap Primer
<input type="checkbox"/>	XV	Valve Less Vacuum Breaker
<input type="checkbox"/>	YB	Sweat Solder Adapter Kit
<input type="checkbox"/>	YBYC	Sweat Solder Adapter & Cast Wall Flange with Set Screw
<input type="checkbox"/>	YG	Extended Bumper on Angle Stop (for seat with cover)
<input type="checkbox"/>	YJ	Split Ring Pipe Support
<input type="checkbox"/>	YK	Solid Ring Pipe Support
<input type="checkbox"/>	YO	Bumper on Angle Stop

NOTE: Bak-Chek® Angle Stop available with 1" Whitworth Thread (please specify).

- ▶ **Accessories**
See Accessories Section of the Sloan catalog for details on these and other Flushometer variations.
- ▶ **Fixtures**
Consult Sloan for Sloan brand matching fixture options.

This space for Architect/Engineer approval

Job Name _____ Date _____

Model Specified _____ Quantity _____

Variations Specified _____

Customer/Wholesaler _____

Contractor _____

Architect _____

The information contained in this document is subject to change without notice.

