

► **Code Number**

2102039

► **Description**

Vitreous china floor mounted water closet

► **Flush Cycle**

1.1 to 1.6 gpf/4.2 to 6.0 Lpf

Flush volume is determined by the flushometer used with fixture

► **Fixture Specification**

- White Vitreous china
- Floor Mount
- Integral flushing rim
- Elongated bowl
- Water spot area 10" x 8 1/4"
- Closet bolts and caps included
- Toilet seat not included
- 2 1/8" fully glazed trapway

► **Recommended Seats**

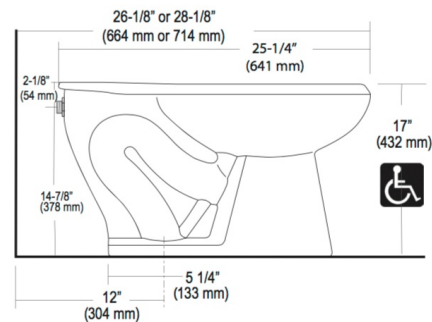
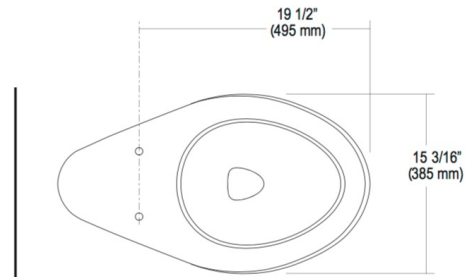
- Bemis - 1955CT/1955SSCT & 2155CT/2155SSCT
- Church - 295CT/295SSCT & 2155CT/2155SSCT

► **Plumbing System Requirements**

- Maximum Static Pressure: 80 PSI
- Minimum Flow Rate: 25 GPM
- Minimum Flowing Pressure: 25 PSI

► **Notes**

- This model is fully interchangeable with Models: ST-2030, ST-2032 and ST-2033 and matches all dimensional and performance parameters.
- This model meets the requirements for a High Efficiency Toilet when used with a high efficiency flushometer (1.28 gpf/4.8 Lpf or 1.1/1.6 gpf-4.2/6.0 Lpf dual-flush).
- All information contained in this document subject to change without written notice
- NOTE: All vitreous china dimensions shown in these drawings are nominal and not to scale. Dimensions can vary within the tolerances established in the governing ASME A112.19/CSA B45.1 standard. It is important to consider this when planning rough-in and plumbing layouts.



► **Compliance & Certifications**



This space for Architect/Engineer Approval