

► **Code Number**

3070024

► **Description**

Exposed, Battery Powered, Side Mount Sensor Operated Water Closet Flushometer for floor mounted or wall hung top spud bowls.

► **Flush Cycle**

1.28 gpf/4.8 Lpf

► **Specifications**

Quiet, Exposed, Piston Type, Chrome Plated Closet Flushometer with the following features:

- ADA Compliant OPTIMA® Battery Powered Infrared Sensor for automatic "No Hands" operation
- Fixed Volume Piston with Filtered O-ring Bypass
- Chrome Plated Infrared Sensor Housing
- Angled Sensor Window
- Manual Override Flush Button
- Four (4) Size C Batteries included
- "Low Battery" Flashing LED with Optional Audio Tone
- "User in View" Flashing LED
- Optional 24-Hour Sentinel Flush
- Infrared Sensor Range Adjustment Screw and Reset Button
- EBV-157 Handle Adapter Kit
- Vacuum Breaker Flush Connection
- Spud Coupling, Wall and Spud Flanges for 1½" Top Spud
- No External Volume Adjustment to Ensure Water Conservation
- High Copper, Low Zinc Brass Castings for Dezincification Resistance
- 1" I.P.S. Screwdriver Bak-Chek® Angle Stop with Vandal Resistant Stop Cap
- Diaphragm, Stop Seat and Vacuum Breaker to be molded from PERMEX® rubber compound for Chloramine resistance

► **Variations**

- DFB Dual Filtered Fixed Bypass
- XL Sweat Solder Adapter and Cast Set Screw Wall Flange
- YG Extended Bumper on Angle Stop (for seat with cover)
- YK - Solid Ring Pipe Support
- XYV - Valve Less Vacuum Breaker
- NOTE: Bak-Chek® Angle Stop available with 1" Whitworth Thread (please specify).
- YO - Angle Stop Bumper
- YJ - Split Ring Pipe Support
- U - 1 1/4" Vacuum Breaker



► **Automatic Operation**

Sloan OPTIMA SMO equipped Flushometers provide the ultimate in sanitary protection and automatic operation. There is no need for AC hookups or wall alterations. The Flushometer operates by means of a battery powered infrared sensor. Once the user enters the sensor's effective range and then steps away, the Side Mount Unit initiates the flushing cycle to flush the fixture.

► **Hygienic**

User makes no physical contact with the Flushometer surface except to initiate the Override Button when required. Helps control the spread of infectious diseases.

► **Economical**

Automatic operation provides water usage savings over other flushing devices. Reduces maintenance and operation costs.

► **Compliance & Certifications**



This space for Architect/Engineer Approval

► **OPERATION**

► ELECTRICAL SPECIFICATIONS

Control Circuit

- Solid State
- 6 VDC Input

Sensor Type

- Infrared Convergence Type Object Lock Detection

Sensor Range

- Nominal 8" - 54" (203 mm - 1372 mm), Factory Set at 24" (610 mm)

Battery Type

- (4) C Alkaline

Battery Life

3 Years @ 4,000 flushes/month

Indicator Lights

- User in View

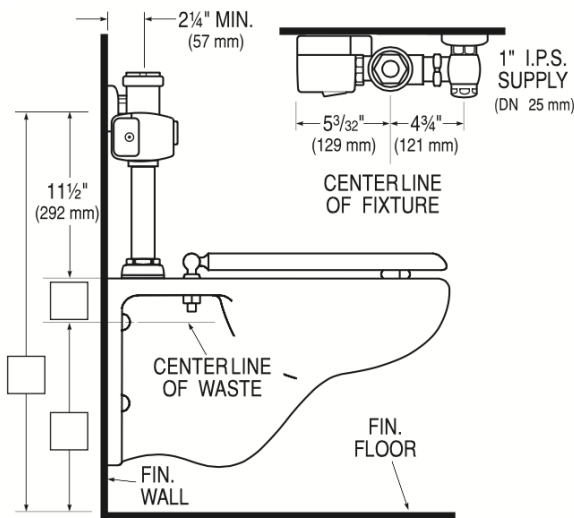
Operating Pressure

- 15 - 100 psi (104 - 689 kPa)

Operation Features

- (can be turned on and off)
- 24-Hour Sentinel Flush
- Audio Low Battery Tone

► ROUGH-IN

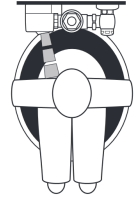


Includes EBV-89-A Side Mount Operator

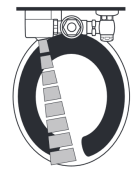
1. A continuous, invisible light beam is emitted from the Object Lock Infrared Sensor.



2. As the user enters the beam's effective range, 8" to 54" (203 mm - 1372 mm), the Object Lock Infrared Sensor senses the user



3. When the user steps away from the Object Lock Infrared Sensor, the circuit initiates the flushing cycle to flush the fixture. The Circuit then automatically resets and is ready for the next user.



► VISUAL INDICATOR GUIDE

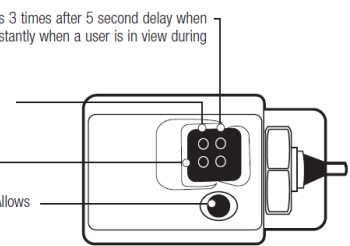
VISUAL INDICATOR GUIDE

USER-IN-VIEW L.E.D. — Green light flashes 3 times after 5 second delay when a user is in view. The green light flashes constantly when a user is in view during the 7 minute start up sequence.

BATTERY L.E.D. — Yellow light flashes indicating it is time to replace batteries with four (4) new Type "C" batteries.

OBJECT LOCK SENSOR — Detects user or object.

COURTESY MANUAL FLUSH BUTTON — Allows manual activation of flush when needed.



► FUNCTION SETTINGS

