

► **Code Number:**

3010092

► **Description**

Solenoid Activated Royal® Model Flushometer for floor mounted or wall hung fixtures. Model "ES" Flushometers are activated remotely by an electric push button (not included). Royal "ES" Flushometers offer solutions for installations that require automatic, remote or other Flushometer control requirements.

► **Flush Cycle**

1.6 gpf/6.0Lpf

► **Specifications**

Quiet, Exposed, Diaphragm Type, Chrome Plated Closet Flushometer with the following features:

- User Friendly Three (3) Second Flush Delay
- Non-Hold-Open Integral Solenoid Operator
- Solenoid Wall Flange (for 2-gang Electrical Box)
- 1" I.P.S. Screwdriver Bak-Chek® Angle Stop with free spinning vandal resistant stop cap
- Free spinning Vandal Resistant Stop Cap and Adjustable Tailpiece
- Flex Tube Dual Filtered Bypass Diaphragm designed for improved life and reduced maintenance
- High copper, low zinc brass castings for dezincification resistance
- Flush accuracy controlled by CID® technology
- High Back Pressure Vacuum Breaker Flush Connection with One-Piece Bottom Hex Coupling Nut, Spud Coupling and Flange for 1-1/2" Top Spud
- Sweat Solder Adapter w/Cover Tube and Cast Wall Flange with Set Screw
- Non-Hold-Open Integral Solenoid Operator, Fixed Metering Bypass and No External Volume Adjustment to Ensure Water Conservation
- Diaphragm, Stop Seat and Vacuum Breaker to be molded from PERMEX® rubber compound for Chloramine resistance

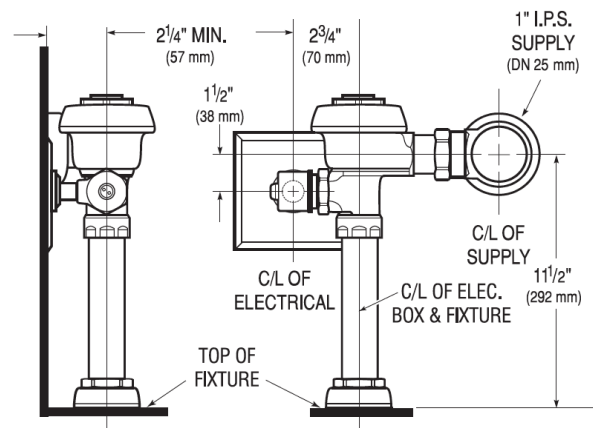
Valve Body, Cover, Tailpiece and Control Stop shall be in conformance with ASTM Alloy Classification for Semi-Red Brass. Valve shall be in compliance to the applicable sections of ASSE 1037/ ASME A112.19.2/CSA B45.1

► **Alternative "ES" installations**

- Trough installations
- Replacement of old motor operated valve
- Remote electric push button operation
- Control of flushometers by other electronic devices

► **Accessories (ordered separately)**

- EL-451 Transformer Box (120 VAC/6 VAC 25VA)
- EL-154 (120 VAC/24 VAC 50/60 Hz (50 VA)



► **Practical**

Solid state electronic circuitry assures years of dependable, trouble-free operation. Proven by more than 100 years of experience.

► **Automatic**

Royal OPTIMA® equipped Flushometers provide the ultimate in sanitary protection and automatic operation.

► **Economical**

Automatic operation provides energy savings. Reduces maintenance and operating costs. Designed for quick and easy installation.

► **Compliance & Certifications**



**Made In The USA**

This space for Architect/Engineer Approval