

► **Code Number:**

24521002

► **Description**

"Complete HET system with exposed manual Royal® dual-flush Flushometer and wall hung vitreous china Dual Flush

► **Flush Cycle**

1.6 / 1.1 gpf - 6.0 Lpf / 4.2 Lpf

► **Specifications**

Quiet, exposed, diaphragm type, chrome plated closet Flushometer and vitreous china wall hung water closet with the following features:

► **Dual Flush Flushometer**

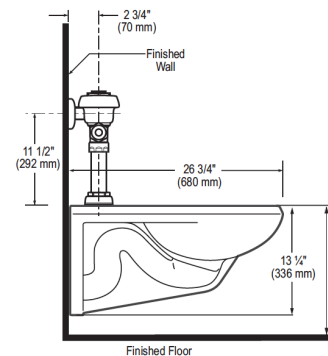
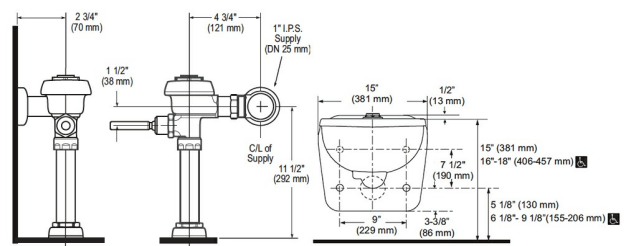
- PERMEX® Synthetic Rubber Diaphragm with Dual Filtered Fixed Bypass
- Lifting Handle UP initiates reduced flush (1.1 gpf/ 4.2 Lpf), eliminating liquid and paper waste, saving a 1/2-gallon of water
- Pushing Handle DOWN initiates full flush (1.6 gpf/ 6.0 Lpf), eliminating solid waste and paper
- Antimicrobial Coating on Handle protects against germs
- ADA compliant metal oscillating Non-Hold-Open Handle with Triple Seal Handle Packing
- 1" I.P.S. Screwdriver Bak-Chek® Angle Stop
- High Back Pressure Vacuum Breaker Flush Connection with One-piece Bottom Hex Coupling Nut
- Spud Coupling and Flange for 1-1/2" Top Spud
- Sweat Solder Adapter with Cover Tube and Cast Wall Flange with Set Screw
- Non-Hold-Open Handle, Fixed Metering Bypass and no external volume adjustment to ensure water conservation
- Flush accuracy controlled by CID® technology
- Diaphragm, Handle Packing, Stop Seat and Vacuum Breaker molded from PERMEX® rubber compound for chloramine resistance

Valve Body, Cover, Tailpiece and Control Stop shall be in conformance with ASTM Alloy Classification for Semi-Red Brass. Valve shall be in compliance to the applicable sections of ASSE 1037.

► **Dual Flush Fixture**

- Wall hung vitreous china dual flush elongated bowl
- Siphon jet flushing action and Water spot area 9" x 8-1/2"
- 1-1/2" I.P.S. top spud inlet
- 2 1/8" fully glazed trapway diameter with Integral flushing rim
- Mounting hardware, carrier and toilet seat not included
- Recommended seats:
- Bemis - 1955CT/1955SSCT & 2155CT/2155SSCT
- Church - 295CT/295SSCT & 2155CT/2155SSCT
- Compliant with Buy American Act when purchased as a combination

Water closet shall be in compliance to the applicable sections of ASME A112.19.2/CSA B45.1



WETS 2452.1002-1.6/1.1 WES DF

► **Plumbing System Requirements**

Minimum Flowing Pressure: 25 PSI / Minimum Flow Rate: 18 GPM / Maximum Fixture Static Pressure: 80 PSI

NOTE: All vitreous china dimensions shown in these drawings are nominal and not to scale. Dimensions can vary within the tolerances established in the governing ASME A112.19.2/CSA B45.1 standard. It is important to consider this when planning rough-in and plumbing layouts.

► **Compliance & Certifications**



This space for Architect/Engineer Approval