

► **Code Number**

24501001

► **Description**

Complete HET system with exposed manual Royal® Flushometer and vitreous china wall hung fixture.

► **Flush Cycle**

Model WETS-2450.1001-1.28 (1.28 gpf/4.8 Lpf)

► **Specifications**

Quiet, exposed, diaphragm type, chrome plated closet Flushometer for either left or right hand supply and vitreous china wall hung water closet with the following features:

FLUSHOMETER

- ADA Compliant Metal Oscillating Non-Hold-Open Handle with Triple Seal Handle Packing
- 1" I.P.S. Screwdriver Bak-Chek® Angle Stop
- Free Spinning Vandal Resistant Stop Cap
- Spud Coupling and Flange for 1 1/2" Top Spud
- Spud Coupling and Flange for 1-1/2" Top Spud
- Sweat solder adapter with cover tube and cast wall flange with set screw
- Non-Hold-Open Handle, Fixed Metering Bypass and No External Volume Adjustment to Ensure Water Conservation
- Flush accuracy controlled by CID® technology
- Stop Seat and Vacuum Breaker molded from PERMEX® Rubber Compound for Chloramine Resistance

Valve Body, Cover and Tailpiece shall be in conformance with ASTM Alloy Classification for Semi-Red Brass. Valve shall be in compliance to the applicable sections of ASSE 1037.

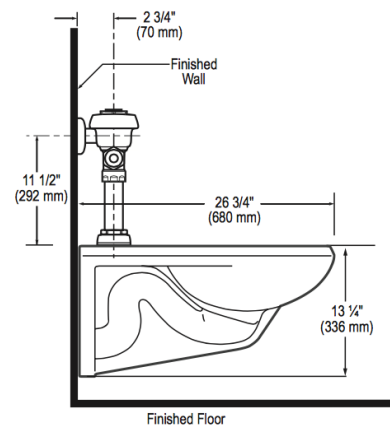
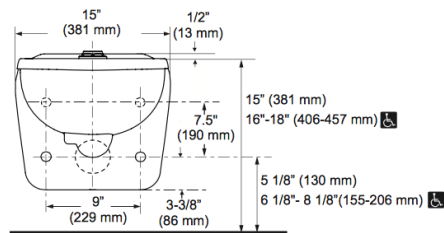
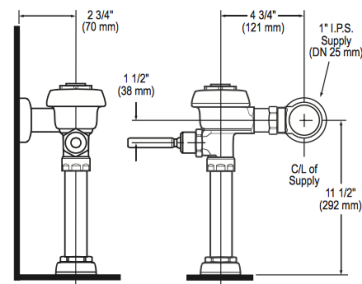
FIXTURE

- Wall hung vitreous china elongated bowl
- Siphon jet flushing action
- 1-1/2" I.P.S. top spud inlet
- 2 1/8" fully glazed trapway diameter
- Water spot area 11 1/4" x 8 1/2"
- Mounting hardware, carrier and toilet seat not included
- Compatible with toilet seat models: Bemis 1955CT, Bemis 2155CT
- Water closet shall be in compliance to the applicable sections of ASME A112.19.2/CSA B45.1
- Compliant with Buy American Act when purchased as a combination

Plumbing System Requirements

All vitreous china dimensions shown in these drawings are nominal. Dimensions can vary within the tolerances established in the governing ASME A112.19.2/CSA B45.1 standard. Please take this into consideration when planning rough-in and plumbing layouts.

► **Compliance & Certifications**



This space for Architect/Engineer Approval