

► **Code Number**

3050010

► **Description**

Exposed Water Closet Flushometer, for floor mounted or wall hung 1½" top spud bowls. Specifically engineered for salt water and severe water conditions.

► **Flush Cycle**

- Model 111-1.28 High Efficiency (1.28 gpf/4.8 Lpf)

Valve Adjustment Range: 0.5 gpf/1.9 Lpf to 16.0 gpf/60.6 Lpf

Factory settings made at 40 psi (275 kPa) — flush volume will vary with pressure and flow rate.

► **Specifications**

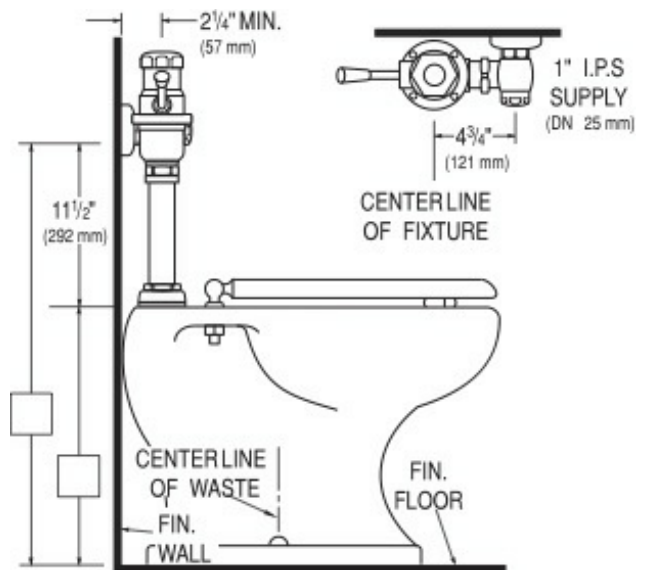
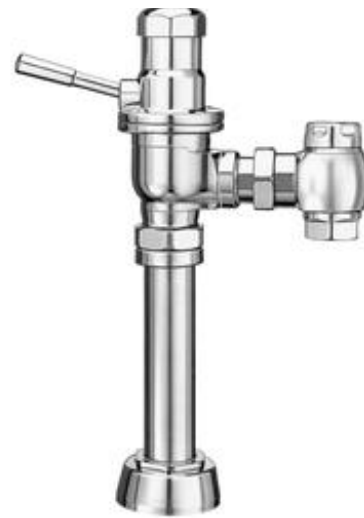
Quiet, Exposed, Diaphragm Type, Chrome Plated Closet Flushometer

- Metal Lever Handle
- 1" I.P.S. Screwdriver Bak-Chek® Angle Stop with Vandal Resistant Stop Cap
- Trap Primer
- Vacuum Breaker Flush Connection
- Spud Coupling and Flange for 1½" Top Spud
- Flushometer does not require water pressure to positively shut off
- Non-Hold-Open Handle and No External Volume Adjustment to Ensure Water Conservation
- Handle Packing, Stop Seat and Vacuum Breaker to be Molded from PERMEX® Rubber Compound for Chloramine Resistance

Valve Body, Cover, Tailpiece and Control Stop shall be in conformance with ASTM Alloy Classification for Red Brass. Valve shall be in compliance to the applicable sections of ASSE 1037.

► **Accessories**

See Accessories Section of the Sloan catalog for details on these and other Flushometer variations.



► **Compliance & Certifications**



Made In The
USA

This space for Architect/Engineer Approval