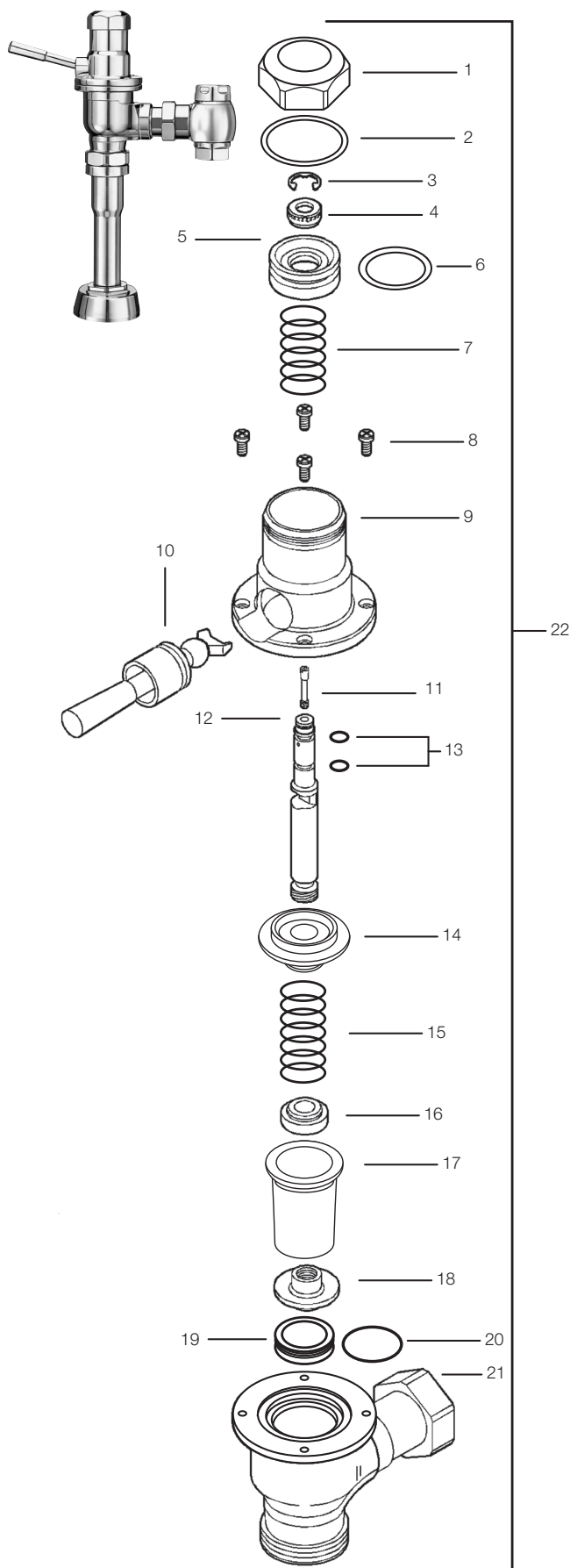


Dolphin® Flushometer



PARTS LIST—DOLPHIN® FLUSHOMETER

| Item No. | Code No. | Part No. | Description |
|----------|----------|-----------|--|
| 1. | 0337007 | DO-1 | Cover Nut CP |
| 2. | 5337125 | DO-2 | O-ring-Seat – 1 required – 6 per package (Cover Gasket) |
| 3. | 5337129 | DO-28 | Retaining Ring – 1 required – 24 per package |
| 4. | 5337006 | DO-4 | Stem Nut RB – 1 required – 6 per package |
| 5. | 0337004 | DO-5 | Piston |
| 6. | 5337075 | DO-6 | O-ring-Piston – 1 required – 6 per package |
| 7. | 5337039 | DO-7 | Piston Spring – 1 required – 6 per package |
| 8. | 5337011 | DO-11 | Cover Screw CP – 4 required – 24 per package |
| 9. | 0337003 | DO-10 | Upper Body CP |
| 10. | 0337042 | DO-20 | Handle and Socket Assembly CP |
| | 0337012 | DO-26 | Socket |
| 11. | 5337126 | DO-3 | Regulating Screw RB – 1 required – 6 per package |
| 12. | 0337087 | DO-9 | Stem RB |
| 13. | 0328336 | SH-75 | O-ring-Throttle Seal (2 required) |
| 14. | 0337005 | DO-14 | Bushing RB |
| 15. | 0337009 | DO-16 | Compression Spring (Main Spring) |
| 16. | 5337034 | DO-17 | Insert RB – 1 required – 6 per package |
| 17. | 0337018 | DO-15 | “Flex-Sac” |
| 18. | 0337084 | DO-18 | Seating Nut. Part of DO-32 “Flex-Sac” Assembly (See below) |
| 19. | 0337016 | DO-19 | Seat Assembly w/O-ring |
| 20. | 0337086 | DO-22 | O-ring |
| 21. | 0337031 | DO-13-NC | Lower Body CP-Closet |
| | 0337032 | DO-13-NU | Lower Body CP-Urinal |
| 22. | — | DO-90-AA | Complete Body Assembly |
| | — | DO-90-AAG | Complete Body Assembly |
| | — | DO-90-AAU | Complete Body Assembly |

REPLACEMENT AND REPAIR KITS

| | | | |
|----|---------|------------|---|
| A. | 0337044 | DO-1000-A | Piston w/ o-ring. Component parts: Items 5 and 6 |
| B. | 3337035 | DO-1001-A | Repair Kit-Dolphin Handle Component parts: Items 10, 11, 12, and 13 |
| C. | 0337134 | DO-32 | Flex-Sac Assembly Component parts: Items 17 and 18 |
| D. | 0337136 | DO-32-AA | Repair Kit-“Flex-Sac” Assembly. Component parts: Items 2, 6, 13, 17, and 18 |
| E. | 0337137 | DO-32-AAN | Repair Kit-“Flex-Sac” and Stem. Component parts: Items 2, 6, 7, 13, 15, 17, 18, 19, and 20 |
| F. | 0337036 | DO-19-A | Seat Assembly w/ o-ring Component parts: Items 19 and 20 |
| G. | 0337030 | DO-12-A | Upper Body Assembly. Component parts: Items 1 through 7 and 9 through 18 |
| H. | 0337055 | DO-13-A-NC | Lower Body Assembly for Closet. Component parts: Item 21 Lower Body, Coupling (CP), and Ground Joint Tail (CP) |

Dolphin® Flushometer

Manual Flushometers

PARTS LIST—DOLPHIN® FLUSHOMETER MODELS AND VARIATIONS

| Item No. | Code No. | Part No. | Description |
|----------|--|-------------|---|
| 1. | 0337023 | DO-90-AAGNC | Closet Valve Body and Handle Assembly — Dolphin Type I |
| | 0337025 | DO-90-AAGNU | Urinal Valve Body and Handle Assembly — Dolphin Type II |
| 2A. | 0388025 | H-710-A | Bak-Chek® Control Stop CP with ¾" NPTF Inlet for Adjustable Tail |
| | 0388022 | H-710-A | Bak-Chek® Control Stop CP with 1" NPTF Inlet for Adjustable Tail |
| 2B. | 0388048 | NH-710-AG | Bak-Chek® Control Stop w/ ¾" NPTF Inlet for Ground Joint Tail (Naval Brass; use w/ Shipboard flushometer Models Type II Class A and B; requires A-35 Reducer Bushing) |
| | 0388058 | NH-710-AG | Bak-Chek® Control Stop w/ 1" NPTF Inlet for Ground Joint Tail (Naval Brass) |
| | 0388044 | NH-710-AGS | Bak-Chek® Control Stop w/ 1" NPSM Inlet for Ground Joint Tail (Naval Brass; use w/ Shipboard flushometer Models Type I and II when Sil-Braze Adapter is used) |
| 3. | 0306196 | F-7 | 1" (25 mm) Supply Flange CP (Supplied When Valve is NOT Ordered w/ Sweat Solder Kit) |
| | 0306191 | F-7 | ¾" (19 mm) Supply Flange CP (Supplied When Valve is NOT Ordered w/ Sweat Solder Kit) |
| 4. | 3308782 | H-633-AA | 1" (25 mm) Sweat Solder Kit with Cast Set Screw Flange CP ("–YBYC" Variation) |
| | 3308788 | H-636-AA | ¾" (19 mm) Sweat Solder Kit with Cast Set Screw Flange CP ("–YBYC" Variation) |
| 5A. | 0323013 | V-500-AA | 1-½" (38 mm) x 10-½" (267 mm) Vacuum Breaker Assembly CP (Model 110/111) |
| | 0323019 | V-500-AA | 1-½" (38 mm) x 23" (534 mm) Vacuum Breaker Assembly CP (Model 115) |
| 5B1. | 0396119 | F-101 | 1-½" (38 mm) x 10-1/2" (267 mm) Outlet Tube CP Type I Class B |
| 5B2. | 0306093 | F-2-AT | Coupling CP w/ S-30 gasket |
| 5C1.† | 0314004 | NF-1 | 1-½" (38 mm) Scored Outlet CP (Shipboard Model, Type I, Class A) |
| 5C2.‡ | 2104180 | F-2-AT | Coupling CP w/ S-30 gasket |
| 5D1. | 0323010 | V-500-A | 1-½" (38 mm) Vacuum Breaker Assembly CP (Model 120 does not include F-2-A Coupling, see Item 5D2 below) |
| 5D2. | 0306092 | F-2-A | Coupling CP w/ S-30 gasket |
| 5E.† | 0306850 | NF-29-A | Outlet Tube Assembly ¾" (19 mm) x 6-½" (165 mm) Scored Outlet w/ ½" Offset (Shipboard Model, Type II, Class A) |
| 5F. | 0306849 | NF-29-A | ¾" (19 mm) x 6-½" (165 mm) Flush Connection with ½" Offset and ¾" x ½" Reducer for ½" Spud (Shipboard Model, Type II, Class B) |
| 5G.‡ | 0323004 | V-500-AA | ¾" (19 mm) x 10-½" (267 mm) Vacuum Breaker Assembly CP (Model 186) |
| 5H.‡ | 0306780 | F-29-A | ¾" (19 mm) x 10-½" (267 mm) Flush Connection CP (Model 186–XYW) |
| 6.† | 0396302 | F-109 | 1-½" (38 mm) Flush Connection CP |
| 7. | SEE SLIP JOINT GASKETS AND RINGS TABLE ON BOTTOM, PAGE 30 | | |
| 7A. | 0306146 | F-5-AT | 1-½" (38 mm) Spud Coupling Assembly (Models 110/111, 115, 120) |
| 7B. | 0306125 | F-5-AW | ¾" (19 mm) Spud Coupling Assembly (Model 186) |
| 8. | 0306982 | F-40 | ½" (13 mm) Sil-Braze Adapter |

‡ Cut to proper length at installation. Allow a minimum of 5" (127 mm) between tube ends when using rubber hose for shock mounted equipment.

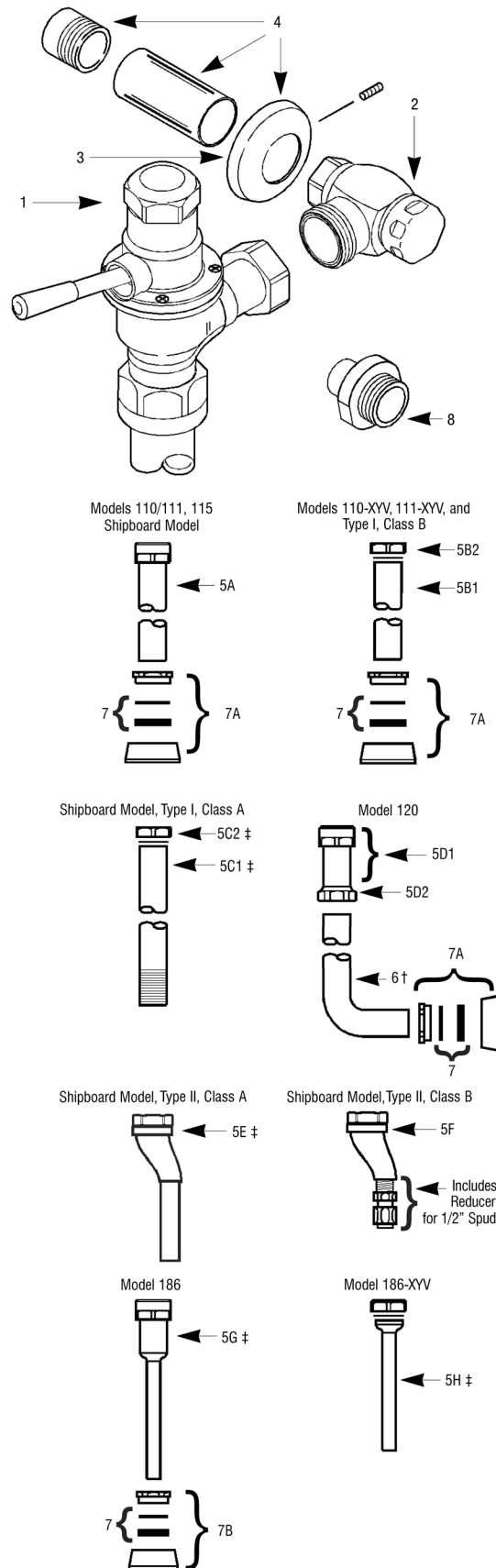
† This Outlet Tube is available in various lengths. Consult factory for assistance.

IMPORTANT NOTES

With the exception of the control stop inlet, DO NOT USE pipe sealant or plumbing grease on any valve component or coupling!

Protect the chrome or special finish of Sloan flushometers — DO NOT USE toothed tools to install or service these valves.

Use a A-50 Super-Wrench™ or smooth jawed spud wrench to secure all couplings.



Dolphin® Flushometer

PARTS LIST—DOLPHIN® FLUSHOMETER MODELS AND VARIATIONS

| Size | Code No. | Part No. | Description |
|---|------------------------|----------|--------------------------------|
| ITEM 7. Slip Joint Gaskets and Rings | | | |
| 1-1/2" | 5306058 | F-3 | Red Friction Ring |
| | 5322001 | VPF-5 | Black Slip Joint Gasket |
| | 0319086/5319086 | S-30 | Flexible Seat |
| | 0319079 | S-21 | Rigid Seat (rubber over brass) |
| 1-1/2" x 1-1/4" | 0396062 | F-105 | Slip Joint Gasket – Rigid |
| 1-1/4" | 5306057 | F-3 | Red Friction Ring |
| | 5322176 | VPF-5 | Black Slip Joint Gasket |
| | 0307052/5307052 | G-21 | Rigid Seat (rubber over brass) |
| 1" | 5306056 | F-3 | Red Friction Ring |
| | 5306115 | F-5 | Black Slip Joint Gasket |
| 3/4" | 5306055 | F-3 | Red Friction Ring |
| | 5306113 | F-5 | Black Slip Joint Gasket |

TROUBLESHOOTING GUIDE

1. Flushometer DOES NOT function.

- Control stop or main valve is closed. Open control stop or main valve.
- Handle socket assembly is damaged. Replace DO-20 handle socket assembly.

2. Volume of water is inadequate to siphon fixture.

- Control stop is not open enough. Adjust control stop for desired delivery of water volume.
- Timing of flushometer closure is set too fast. Remove DO-1 cover nut. Use a small blade screwdriver to turn DO-3 regulating screw clockwise.
- Water supply volume or pressure is inadequate. If no gauges are available to properly measure supply pressure or volume, completely open control stop and hold down flushometer handle without allowing it to close. If fixture siphons, increase timing of closure (see previous solution). If fixture does not siphon, steps must be taken to increase the supply pressure and/or volume. Contact fixture manufacturer for minimum water supply requirements of fixture.

3. Flushometer closes immediately.

- Oil chamber of upper body is empty. Remove DO-1 cover nut. Fill oil chamber with SAE 10 Oil.
- Piston seal is worn or damaged. Replace DO-6 piston O-ring seal.

4. Length of flush is too short (short flushing).

- Volume of oil in oil chamber of upper body is low. Remove DO-1 cover nut. Fill oil chamber with SAE 10 oil.
- Timing of flushometer closure is not adequately adjusted. Remove DO-1 cover nut. Using small blade screwdriver, turn DO-3 regulating screw clockwise until a satisfactory flush is achieved.

5. Length of flush is too long (long flushing).

- Timing of flushometer closure not adequately adjusted. Remove DO-1 cover nut. Using small blade screwdriver, turn DO-3 regulating screw counterclockwise until a satisfactory flush is achieved.

6. Oil is leaking from handle.

- Stem seals are worn or damaged. Replace two (2) SH-75 throttle seal O-rings.

7. Valve DOES NOT close completely (water trickle).

- Compression spring is worn or damaged. Replace DO-16 compression spring.
- Flex-sac assembly is worn. Replace DO-15 flex-sac.

CARE AND CLEANING INSTRUCTIONS

DO NOT USE abrasive or chemical cleaners to clean flushometers, they may dull the luster and attack the chrome finish. Use **ONLY** mild soap and water, and then wipe dry with a clean towel or cloth.

When cleaning, protect the exposed flushometer from any splattering of cleaner. Acids and cleaning fluids can discolor or remove chrome plating.

When assistance is required, please contact Sloan Technical Support at: 1-888-SLOAN-14 (1-888-756-2614).