

MCR-102-A

MICRO Plumb® PRODUCTS 2-Line Mixing Manifold

Description

Manifold containing 4 electronically activated solenoids used to supply hot, cold and mixed water to two lavatory fixtures.

Plumbing Specifications

- 1/2" Pipe Copper Solder Unions at water inlets
- Soft Nose Union Between Solenoids
- Includes Two Fitting Kits Each Containing:
 - Two 3/8 NPT to 3/8 Tube
 - One 0.5 gpm Flow Orifice
 - One 3/8 NPT to 3/8 NPT Coupling
 - 20 Feet 3/8 O.D. Nylon Tubing

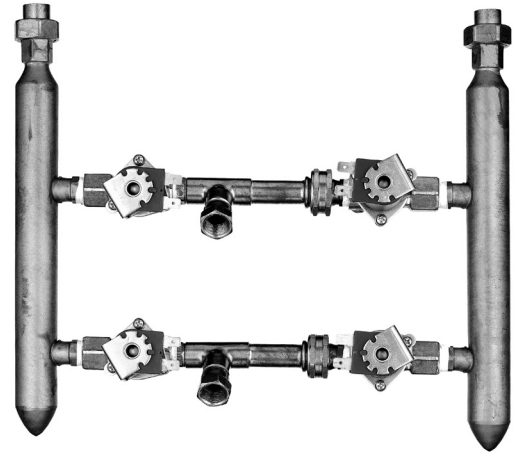
Solenoid Specifications

- 24 VAC – 50/60 Hz Operating Voltage
- Current: In Rush 12 VA (500 mA)
Holding 4.63 VA (193 mA)
- Power Consumption: 7 WATTS
- 160°F Maximum water temperature
- Brass body w/integral 'Y' strainer (80 mesh)
- Stainless steel valve seat
- Includes 15' cable w/ 6 position, 4 pin RJ-11 connector (to connect to MICRO Plumb® Controller)

Accessories

- ETF-1003-240 20' Single Wire Extension Cord Kit
- ETF-1003-600 50' Single Wire Extension Cord Kit

NOTE: Solenoid cable length can be increased to a maximum overall length of 200 feet with additional MICRO Plumb® extension cord kits.



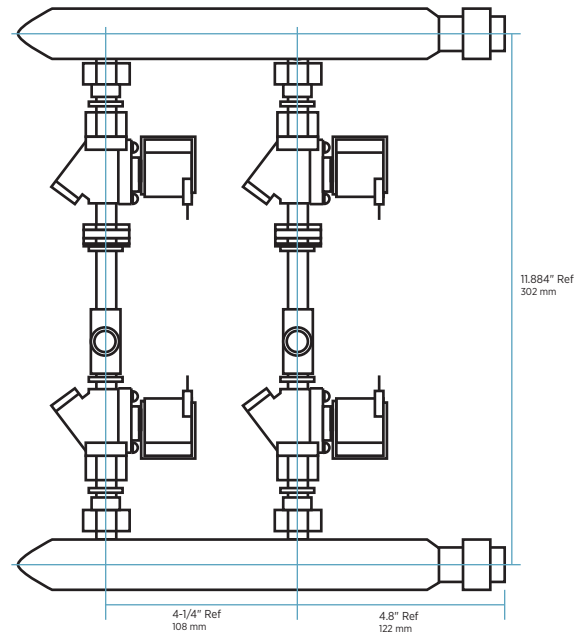
Manifolds



Water Connects Us™

Headquarters • 10500 Seymour Avenue • Franklin Park, IL 60131
P: 847-671-4300 / 800-9-VALVE-9 • F: 847-671-4380 / 800-447-8329

The information contained in this document is subject to change without notice.



INSTALLATION NOTE: MANIFOLD MUST BE MOUNTED A **MINIMUM** OF 2-3/4 INCHES FROM FACE OF WALL TO ALLOW FOR CLEARANCE OF SOLENOIDS.

MCR-102-A 07-14