



Model  
**WETS 2023.1001-1.6**  
 Manual Royal® Flushometer and ADA Compliant Water Closet

**DESCRIPTION**

Complete system with exposed manual Royal® closet Flushometer and vitreous china ADA compliant water closet.

**Flush Cycle**

Model WETS 2023.1001-1.6 (1.6 gpf/6.0 Lpf)



**SPECIFICATIONS**

Exposed chrome plated Royal® Flushometer and floor mounted ADA compliant water closet.

**Flushometer**

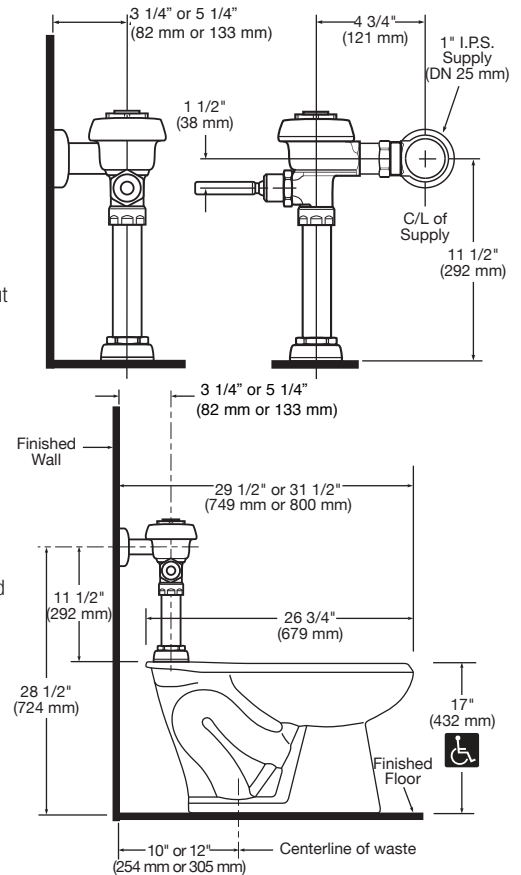
- Quiet, Exposed, Diaphragm Type, Chrome Plated Closet Flushometer with the following features:
- PERMEX™ Synthetic Rubber Diaphragm w/Dual Filtered Fixed Bypass
  - 1" I.P.S. Screwdriver Bak-Chek™ Angle Stop
  - Free Spinning Vandal Resistant Stop Cap
  - Adjustable Tailpiece
  - High Back Pressure Vacuum Breaker Flush Connection with One-piece Bottom Hex Coupling Nut
  - Spud Coupling and Flange for 1½" Top Spud
  - Sweat Solder Adapter w/Cover Tube and Cast Set Screw Wall Flange
  - High Copper, Low Zinc Brass Castings for Dezincification Resistance
  - Non-Hold-Open Handle, Fixed Metering Bypass and No External Volume Adjustment to Ensure Water Conservation
  - Flush Accuracy Controlled by CID™ Technology
  - Diaphragm, Handle Packing, Stop Seat and Vacuum Breaker molded from PERMEX™ Rubber Compound for Chloramine Resistance

**Water Closet**

- Wall Hung vitreous china
- Siphon jet flushing action
- Elongated bowl
- 1-1/2" I.P.S. top spud inlet
- 2" trapway diameter
- Fully glazed trapway
- Integral flushing rim
- Water spot area 9 1/2" x 8 1/4"
- Mounting hardware, carrier and toilet seat not included
- Compatible with toilet seat models: Olsonite 10CT, Bemis 1955CT & Church Commercial 295CT



These products when installed as a combination as shown, meet the "Buy American Act" requirements



Meets the American Disabilities Guidelines and ANSI A117.1 requirements when installed according to these requirements.



**NOTE:**

Plumbing System Requirements

- Minimum **Flowing** Pressure: 25 PSI
- Minimum Flow Rate: 18 GPM

This space for Architect/Engineer approval	
Job Name	Date
Model Specified	Quantity
Variations Specified	
Customer/Wholesaler	
Contractor	
Architect	

The information contained in this document is subject to change without notice.

Made In The  
**USA**



Sloan Valve Company is buying renewable energy certificates to meet 100% of the company's purchased electricity use at its Franklin Park, Illinois facility.



**SLOAN**®

Sloan Valve Company  
 10500 Seymour Avenue  
 Franklin Park, IL 60131  
 Phone: 1-800-9-VALVE-9 (982-5839)  
 or 1-847-671-4300  
 Fax: 1-800-447-8329 or 1-847-671-4380  
 www.sloanvalve.com

Copyright © 2009 Sloan Valve Company  
 Printed in the U.S.A. Rev. 0 (08/09)