

Model

WETS 2022.1201-1.6/1.1 SOLIS DF

Solar-Powered HET Dual Flush Flushometer and HET Floor Mount Water Closet

DESCRIPTION

Complete system with solar-powered, sensor activated dual flush Flushometer and vitreous china ADA compliant dual flush floor mount fixture.

Flush Cycle

Model WETS 2022.1201-1.6/1.1 SOLIS DF
(Full Flush 1.6 gpf/6.0 Lpf, Reduced Flush 1.1 gpf/4.2 Lpg)



Meets the American Disabilities Guidelines and ANSI A117.1 requirements when installed according to these requirements.



NOTE:

- Plumbing System Requirements
- Minimum **Flowing** Pressure: 25 PSI
 - Minimum Flow Rate: 18 GPM

SPECIFICATIONS

Quiet, exposed, diaphragm type, chrome plated closet dual flush Flushometer for either left or right hand supply with the following features:

Dual Flush Flushometer

- Solar Powered. The sensor assembly is powered by a solar cell that will harvest power from artificial indoor light, either incandescent or fluorescent light, and use it as the energy source. The solar cell can provide approximately 100% power with 650 Illuminance (lux).
- Four (4) Size AA Battery Back-up Power Source
- "Low Battery" Flashing LED
- If the user is present for less than one minute and leaves the sensing zone or chooses the small override button, a reduced flush initiates (1.1 gpf/4.2 Lpf) eliminating liquid and paper waste, saving 1/2 gallon of water
- If the user is present for greater than one minute and leaves the zone or chooses the large override button, the full flush initiates (1.6 gpf/ 6.0 Lpf) eliminating solid waste and paper
- Reduces water volume by up to 30% when a reduced flush occurs
- PERMEX™ Synthetic Rubber Diaphragm with twin linear filtered bypass and vortex cleansing action
- ADA Compliant Sloan Solis® Electronic Dual Flush Solar Powered Infrared Sensor for automatic "No Hands" operation
- Infrared Sensor with Multiple-focused, Lobular Sensing Fields for high and low target detection
- Engineered Metal Cover with replaceable Lens Window
- User friendly three (3) second Flush Delay
- Courtesy Flush™ Override Buttons
- Initial Set-up Range Indicator Light (first 10 minutes)
- 1" I.P.S. Screwdriver Bak-Chek® Angle Stop
- Spud Coupling and Flange for 1½" Top Spud
- High Copper, Low Zinc Brass Castings for Dezincification Resistance
- Fixed Metering Bypass and No External Volume Adjustment to Ensure Water Conservation
- Flush Accuracy Controlled by CID™ Technology
- Diaphragm, Stop Seat and Vacuum Breaker molded from PERMEX™ Rubber Compound for Chloramine resistance
- Valve Body, Tailpiece and Control Stop shall be in conformance with ASTM Alloy Classification for Semi-Red Brass. Valve shall be in compliance with the applicable sections of ASSE 1037. Installation conforms to ADA requirements.

SPECIFICATIONS (CONTINUED)

Dual Flush Fixture

- Floor mounted vitreous china
- Siphon jet flushing action
- ADA compliant
- Dual flush elongated bowl
- 1-1/2" I.P.S. top spud inlet
- 2 1/8" fully glazed trapway diameter
- Integral flushing rim
- Water spot area 9 1/2" x 8 1/4"
- Mounting hardware, carrier and toilet seat not included
- Complies to the applicable sections of: ASME A112.19.2 and CSA B45.1
- Compatible with toilet seat models: Olsonite 10CT, Bemis 1955CT & Church Commercial 295CT
- Compliant with the Buy American Act when purchased as a combination

FEATURES

Automatic

Sloan SOLIS® solar-powered Flushometers activate via multi-lobular sensor detection to provide the ultimate in sanitary protection and automatic operation. A solar-powered infrared sensor sets the flushing mechanism after the user is detected and completes the flush when the user steps away.

Functional & Hygienic

Touchless, sensor operation eliminates the need for user contact to help control the spread of infectious diseases. The Solis® Flushometer is provided with an Override Button to allow a "courtesy flush" for individual user comfort.

Economical

Solar power with back-up batteries provide years of metered flushing to control the use of water and energy. Batteries can be changed without turning off the water.

Warranty

3 year (limited)

U.S. Patent No. D599,436



Sloan Valve Company is buying renewable energy certificates to meet 100% of the company's purchased electricity use at its Franklin Park, Illinois facility.

SLOAN

Sloan Valve Company
10500 Seymour Avenue
Franklin Park, IL 60131
Phone: 1-800-9-VALVE-9 (982-5839)
or 1-847-671-4300
Fax: 1-800-447-8329 or 1-847-671-4380
www.sloanvalve.com

Copyright © 2010 Sloan Valve Company
Rev. 0c (06/10)

This space for Architect/Engineer approval

Job Name	Date
Model Specified	Quantity
Variations Specified	
Customer/Wholesaler	
Contractor	
Architect	

Model

WETS 2022.1201-1.6/1.1 SOLIS DF

Solar-Powered HET Dual Flush Flushometer and HET Floor Mount Water Closet

DESCRIPTION

Complete system with solar-powered, sensor activated dual flush Flushometer and vitreous china ADA compliant dual flush floor mount fixture.

Flush Cycle

Model WETS 2022.1201-1.6/1.1 SOLIS DF
(Full Flush 1.6 gpf/6.0 Lpf, Reduced Flush 1.1 gpf/4.2 Lpg)

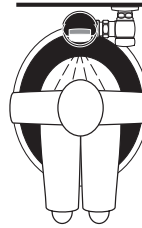
ELECTRICAL SPECIFICATIONS

- **Control Circuit**
Solid State
6 VDC Input
8 Second Arming Delay
72 hour Sentinel Flush
- **Sloan SOLIS Flush Sensor Type**
Active Infrared
- **Sloan SOLIS Flush Sensor Range**
Nominal 22" – 42" (559 mm – 1067 mm),
Adjustable ± 8" (203 mm)
- **Battery Back-up Type**
(4) AA Alkaline
- **Battery Life**
6 Years @ 4,000 flushes/month
- **Indicator Lights**
Range adjustment/low battery
- **Operating Pressure**
15 – 100 psi (104 – 689 kPa)
- **Sentinel Flush**
Once every 72 Hours after the last flush

OPERATION



1. A continuous, invisible light beam is emitted from the Sloan SOLIS® Flush Sensor.

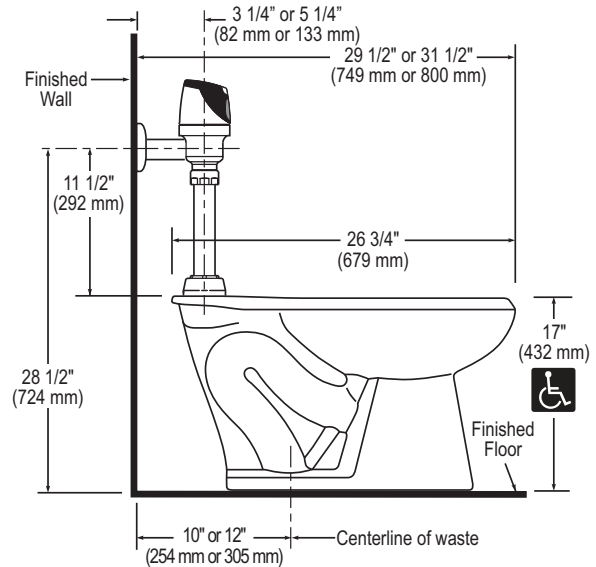
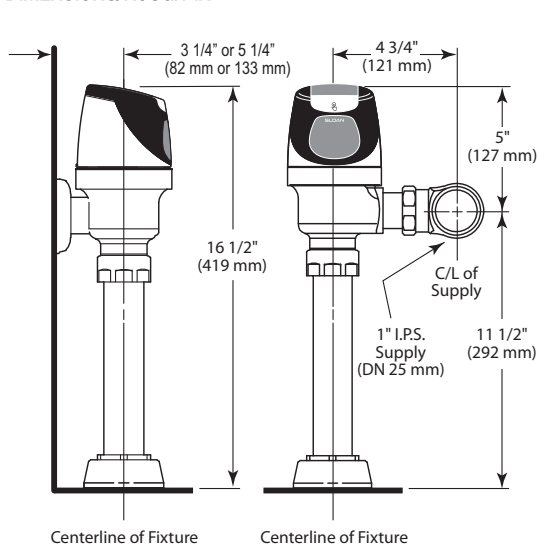


2. As the user enters the beam's effective range, 22" - 42" (559 mm - 1067 mm), the beam is reflected into the Scanner Window to activate the Output Circuit. Once activated, the Output Circuit continues in a "hold" mode for as long as the user remains within the effective range of the sensor. If the user stays longer than 65 seconds, a full flush will automatically initiate when the user leaves.



3. When the user steps away from the Sloan SOLIS® Flush Sensor, the circuit waits 3 seconds (to prevent false flushing) then initiates an electrical signal that operates the Solenoid. This initiates the flushing cycle to flush the fixture. The Circuit then automatically resets and is ready for the next user.

DIMENSIONS/ROUGH-IN



SLOAN VALVE COMPANY • 10500 SEYMOUR AVENUE • FRANKLIN PARK, IL 60131

Phone: 1-800-9-VALVE-9 or 1-847-671-4300 • Fax: 1-800-447-8329 or 1-847-671-4380 • www.sloanvalve.com