

Model
WETS 2003.1001-1.6
 Manual Flushometer and Water Closet

DESCRIPTION

Complete system with exposed manual Royal® closet Flushometer and vitreous china water closet.

Flush Cycle

Model WETS 2003.1001-1.6 (1.6 gpf/6.0)



SPECIFICATIONS

Quiet, exposed, diaphragm type, chrome plated closet Flushometer and vitreous china water closet with the following features:

Flushometer

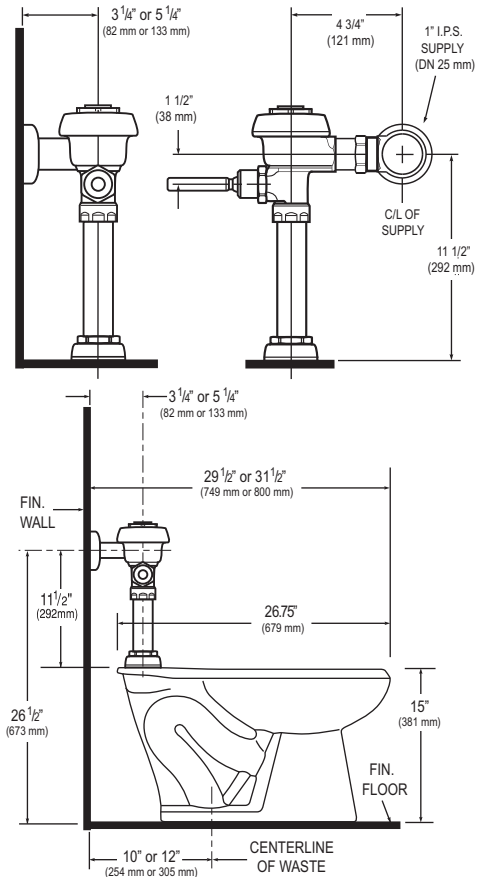
- PERMEX® Synthetic Rubber Diaphragm with Dual Filtered Fixed Bypass
- ADA compliant metal oscillating Non-Hold-Open Handle with Triple Seal Handle Packing
- 1" I.P.S. Screwdriver Bak-Chek® Angle Stop
- Free spinning Vandal Resistant Stop Cap
- Adjustable Tailpiece
- High Back Pressure Vacuum Breaker Flush Connection with One-piece Bottom Hex Coupling Nut
- Spud Coupling and Flange for 1-1/2" Top Spud
- Sweat Solder Adapter w/Cover Tube and Cast Wall Flange with Set Screw
- High copper, low zinc brass castings for dezincification resistance
- Non-Hold-Open Handle, Fixed Metering Bypass and no external volume adjustment to ensure water conservation
- Flush accuracy controlled by CID® technology
- Diaphragm, Handle Packing, Stop Seat and Vacuum Breaker molded from PERMEX® rubber compound for chloramine resistance
- Valve Body, Cover, Tailpiece and Control Stop shall be in conformance with ASTM Alloy Classification for Semi-Red Brass. Valve shall be in compliance to the applicable sections of ASSE 1037, ANSI/ASME A112.19.2.

Water Closet

- Floor Mounted Vitreous China Elongated Bowl
 - 1-1/2" I.P.S. top spud inlet
 - 2" trapway diameter
 - Closet bolts and caps included
 - All mounting hardware included
 - Integral flushing rim
 - 100 % factory flush tested
 - Siphon jet flush
 - Seat not included:
- Compatible with toilet seat models:
 Olsonite 10CT, Bemis 1955CT &
 Church Commercial 295CT



These products when installed as a combination as shown, meet the "Buy American Act" requirements



NOTE:

- Plumbing System Requirements
- Minimum **Flowing** Pressure: 25 PSI
 - Minimum Flow Rate: 18 GPM

| This space for Architect/Engineer approval | |
|--|----------|
| Job Name | Date |
| Model Specified | Quantity |
| Variations Specified | |
| Customer/Wholesaler | |
| Contractor | |
| Architect | |

The information contained in this document is subject to change without notice.

Made In The
USA



Sloan Valve Company is buying renewable energy certificates to meet 100% of the company's purchased electricity use at its Franklin Park, Illinois facility.

SLOAN®

Sloan Valve Company
 10500 Seymour Avenue
 Franklin Park, IL 60131
 Phone: 1-800-9-VALVE-9 (982-5839)
 or 1-847-671-4300
 Fax: 1-800-447-8329 or 1-847-671-4380
 www.sloanvalve.com

Copyright © 2009 Sloan Valve Company
 Printed in the U.S.A. Rev. 0 (08/09)