

Model
WETS 2020.1401-1.28 G2
OPTIMA Plus® Sensor Activated HET Flushometer and ADA Compliant HET Water Closet

DESCRIPTION

Complete HET system with battery powered, sensor activated G2 OPTIMA Plus® HET Flushometer and ADA compliant vitreous china fixture.

Flush Cycle

Model WETS 2020.1401-1.28 G2 (1.28 gpf/4.8 Lpf)



Meets the American Disabilities Guidelines and ANSI A117.1 requirements when installed according to these requirements.



NOTE:

Plumbing System Requirements

- Minimum **Flowing** Pressure: 25 PSI
- Minimum Flow Rate: 18 GPM

SPECIFICATIONS

Quiet, exposed, sensor activated diaphragm type, chrome plated HET Flushometer for either left or right hand supply and ADA compliant vitreous china HET fixture with the following features:

Flushometer

- PERMEX® Synthetic Rubber Diaphragm with Dual Filtered Fixed Bypass
- Flex Tube Diaphragm designed for improved life and reduced maintenance
- ADA Compliant OPTIMA Plus® Battery Powered Infrared Sensor for automatic “No Hands” operation
- Infrared Sensor with Multiple-focused, Lobular Sensing Fields for high and low target detection
- Courtesy Flush™ Override Button
- Four (4) Size AA Batteries factory installed
- Initial Set-up Range Indicator Light (first 10 minutes)
- Chrome Plated Metal Handle Cap
- Free spinning, Vandal Resistant Stop Cap
- Spud Coupling and Flange for 1 1/2" Top Spud
- Sweat Solder Adapter w/Cover Tube and Cast Wall Flange w/Set Screw
- High copper, low zinc brass castings for dezincification resistance
- Fixed Metering Bypass and no external volume adjustment to ensure water conservation
- Flush Accuracy Controlled by CID® Technology
- Diaphragm, Stop Seat and Vacuum Breaker to be molded from PERMEX® rubber compound for chloramine resistance
- Valve Body, Cover, Tailpiece and Control Stop shall be in conformance with ASTM Alloy Classification for Semi-Red Brass. Valve shall be in compliance to the applicable sections of ASSE 1037.

Fixture

- ADA compliant floor mounted vitreous china
 - 1 1/2" I.P.S. top spud inlet
 - 2 1/8" trapway diameter
 - Integral flushing rim
 - Elongated bowl with siphon jet flush
 - Closet bolts and caps included
 - 100 % factory flush tested
 - Toilet seat not included
- Compatible with toilet seat models:
Olsonite 10CT, Bemis 1955CT & Church Commercial 295CT
- Water closet shall be in compliance to the applicable sections of ASME A112.19.2/CSA B45.1
 - Compliant with Buy American Act when purchased as a combination

FEATURES

Automatic

Sloan OPTIMA Plus® equipped Flushometers provide the ultimate in sanitary protection and automatic operation. There are no handles to trip or buttons to push. The Flushometer operates by means of an infrared sensor that adapts to its surroundings. Once the user enters the sensor's effective range and then steps away, the Flushometer Solenoid initiates the flushing cycle to flush the fixture.

Hygienic

User makes no physical contact with the Flushometer surface. Helps control the spread of infectious diseases. 24-hour Sentinel Flush keeps fixture fresh during periods of nonuse.

Economical

Automatic operation provides water usage savings over other flushing devices. Reduces maintenance and operation costs.

Practical

Solid state electronic circuitry assures years of dependable, trouble-free operation. The operational components of the Flushometer are identical to a handle activated Royal® Flushometer, proven by more than 100 years of experience.

Warranty

3 year (limited)

G2 Flushometer U.S. Patent No. D598, 974



Sloan Valve Company is buying renewable energy certificates to meet 100% of the company's purchased electricity use at its Franklin Park, Illinois facility.

SLOAN

Sloan Valve Company
10500 Seymour Avenue,
Franklin Park, IL 60131
Phone: 1-800-9-VALVE-9 (982-5839)
or 1-847-671-4300
Fax: 1-800-447-8329 or 1-847-671-4380
www.sloanvalve.com

Copyright © 2010 Sloan Valve Company
Rev. 0b (10/10)

This space for Architect/Engineer approval	
Job Name	Date
Model Specified	Quantity
Variations Specified	
Customer/Wholesaler	
Contractor	
Architect	

Model
WETS 2020.1401-1.28 G2
OPTIMA Plus® Sensor Activated HET Flushometer and ADA Compliant HET Water Closet

Complete HET system with battery powered, sensor activated G2 OPTIMA Plus® HET Flushometer and ADA compliant vitreous china fixture.

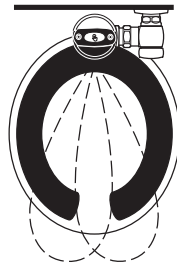
Flush Cycle

Model WETS 2020.1401-1.28 G2 (1.28 gpf/4.8 Lpf)

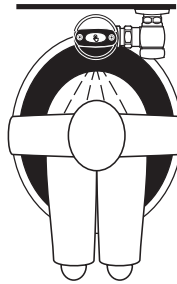
ELECTRICAL SPECIFICATIONS

- **Control Circuit**
Solid state
6 VDC input
8 second arming delay
24 hour Sentinel Flush
- **OPTIMA Plus® Sensor Type**
Active infrared
- **OPTIMA Plus® Sensor Range**
Nominal 22" – 42" (559 mm – 1067 mm),
Adjustable ± 8" (203 mm)
- **Battery Type**
(4) AA Alkaline
- **Battery Life**
3 Years @ 4,000 flushes/month
- **Indicator Lights**
Range adjustment/low battery
- **Operating Pressure**
15 – 100 psi (104 – 689 kPa)
- **Sentinel Flush**
Once every 24 hours after the last flush

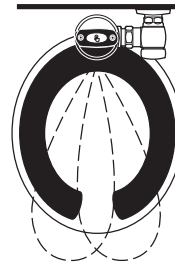
OPERATION



1. A continuous, invisible light beam is emitted from the OPTIMA Plus® Sensor.

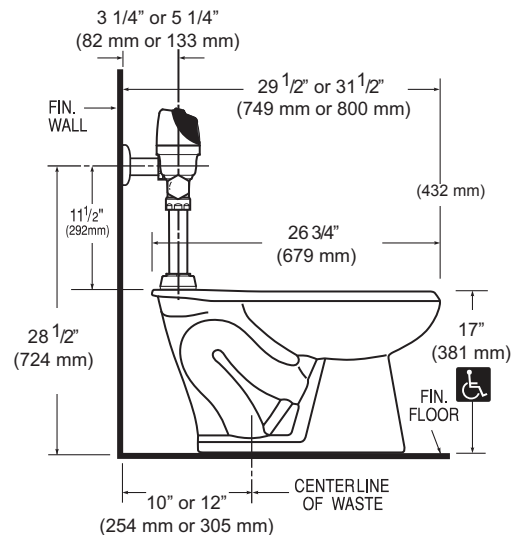
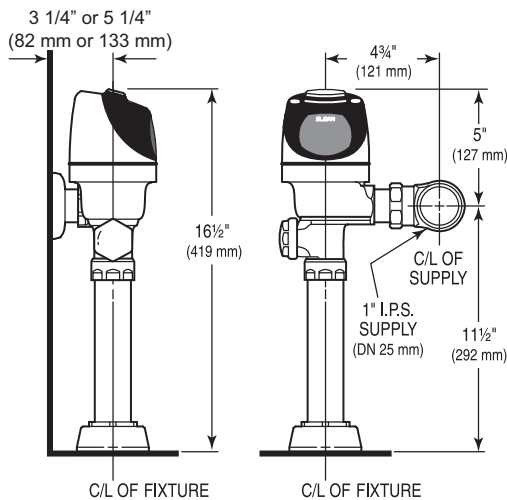


2. As the user enters the beam's effective range (22" to 42") the beam is reflected into the OPTIMA Plus® Scanner Window and transformed into a low voltage electrical circuit. Once activated, the Output Circuit continues in a "hold" mode for as long as the user remains within the effective range of the Sensor.



3. When the user steps away from the OPTIMA Plus® Sensor, the circuit waits 3 seconds (to prevent false flushing) then initiates an electrical signal that operates the Solenoid. This initiates the flushing cycle to flush the fixture. The Circuit then automatically resets and is ready for the next user.

DIMENSIONS/ROUGH-IN



SLOAN VALVE COMPANY • 10500 SEYMOUR AVENUE • FRANKLIN PARK, IL 60131

Phone: 1-800-9-VALVE-9 or 1-847-671-4300 • Fax: 1-800-447-8329 or 1-847-671-4380 • www.sloanvalve.com