



Royal® 603-ESM

MICRO Plumb® PRODUCTS

Electronic Prison Flushometer

► Description

Concealed electronic activated water closet flushometer, for stainless steel combination fixtures. For use with: Acorn® • Bradley® • Metcraft® (Series 3000) • Willoughby® and similar fixtures.

► Flush Cycle

- Model 603 ESM Water Saver (3.5 gpf/13.2 Lpf)
- Model 603 ESM-1.6 Low Consumption (1.6 gpf/6.0 Lpf)

► Specifications

Quiet, concealed, diaphragm-type, rough brass closet flushometer for either left or right hand supply with the following features:

- 24 VAC 50/60 Hz non-hold-open integral solenoid operator
- No external volume adjustment to ensure water conservation
- 15' cord w/RJ-11 connection
- PERMEX® synthetic rubber diaphragm with dual filtered fixed bypass
- Diaphragm, stop seat and vacuum breaker sack made from PERMEX® rubber compound for chloramine resistance
- 1" I.P.S. Wheel Handle Bak-Chek® angle stop
- Adjustable tailpiece
- High back pressure vacuum breaker
- Elbow flush connection and coupling for 1 1/2" NPT back inlet (for connection in pipe chase-flush tube through wall not provided by Programmed Water Technologies)
- Sweat solder adapter

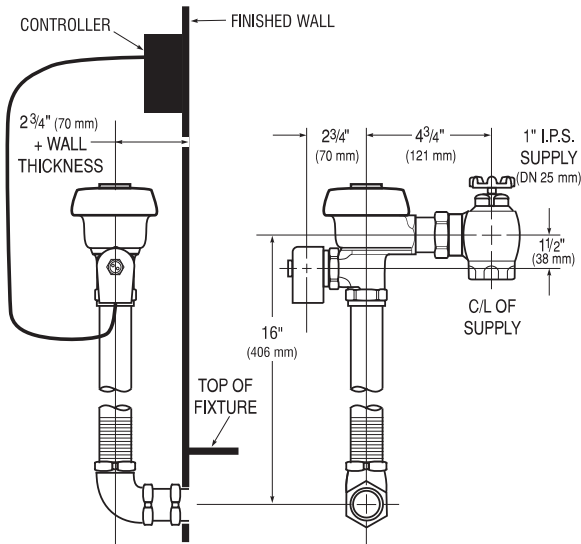
Valve Body, Cover, Tailpiece and Control Stop shall be in conformance with ASTM Alloy Classification for Semi-Red Brass. Valve shall be in compliance to the applicable sections of ASSE 1037, ANSI/ASME A112.19.2.

► Wall Thickness

Specify wall thickness for proper length of flush connection for china fixtures. A 3 1/4" flush connection is supplied for stainless steel fixtures.

► Accessories

Specify wall thickness for proper length of flush connection for china fixtures. A 3 1/4" flush connection is supplied for stainless steel fixtures.



3 1/4" (83mm) LONG FLUSH TUBE FOR CONNECTION BEHIND WALL. CONNECTION THROUGH WALL NOT SUPPLIED BY SLOAN ON STAINLESS STEEL FIXTURES.

This space for Architect/Engineer approval	
Job Name _____	Date _____
Model Specified _____	Quantity _____
Variations Specified _____	
Customer/Wholesaler _____	
Contractor _____	
Architect _____	

The information contained in this document is subject to change without notice.

SLOAN®

Made in the U.S.A.

SLOAN VALVE COMPANY • 10500 SEYMOUR AVE. • FRANKLIN PARK, IL. 60131
Ph: 1-800-9-VALVE-9 or 1-847-671-4300 • Fax: 1-800-447-8329 or 1-847-671-4380

www.sloanvalve.com